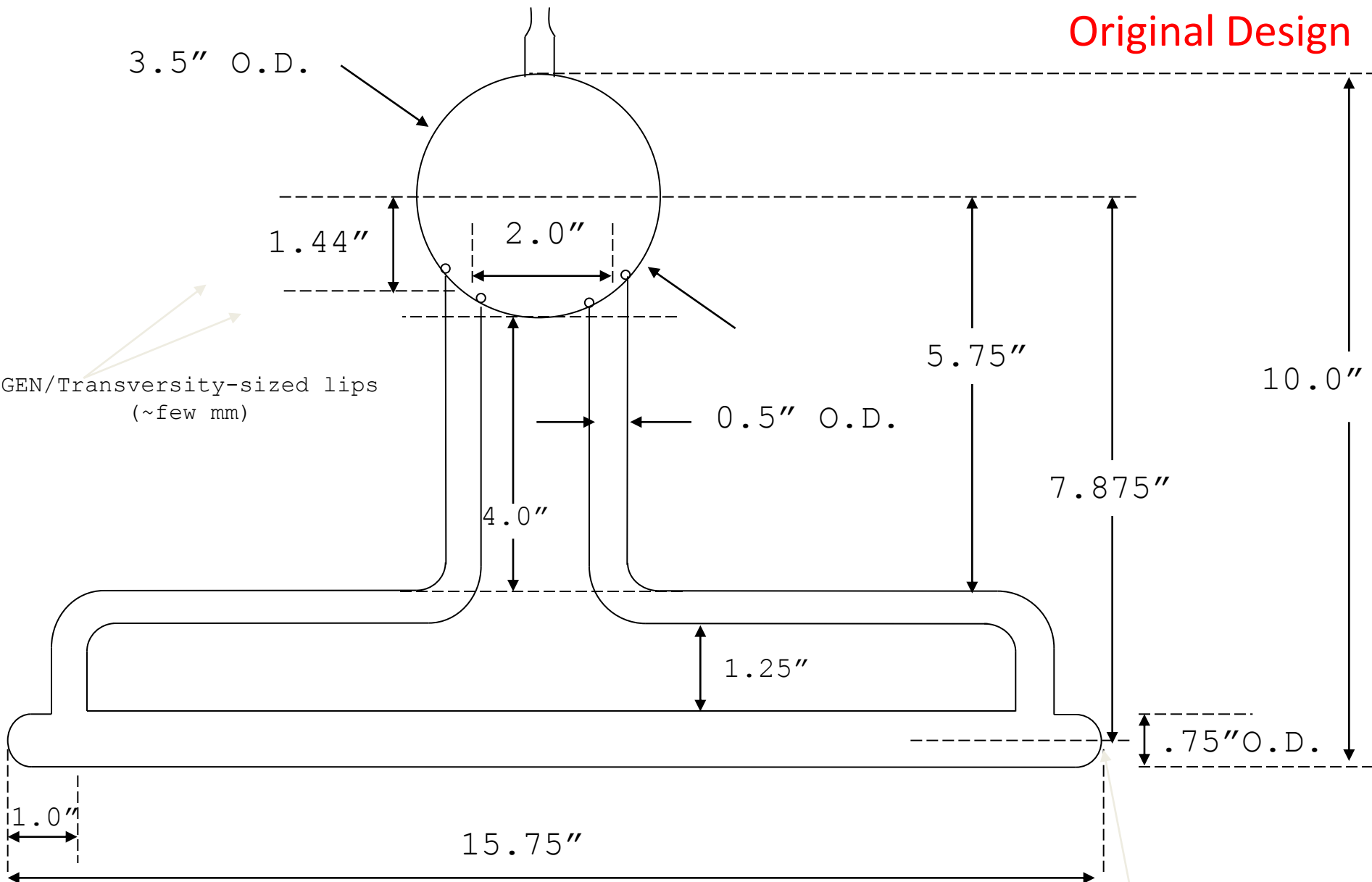


Original Design



Convection Cell Design 2.61
GE 180 Glass
Peter Dolph and Al Tobias 3.28.11

Windows same thickness as rest of target chamber

Larger P.C.

3.75" O.D.

1.44"

2.0"

5.75"

10.125"

GEN/Transversity-sized lips (~few mm)

0.5" O.D.

7.875"

4.0"

1.25"

.75" O.D.

1.0"

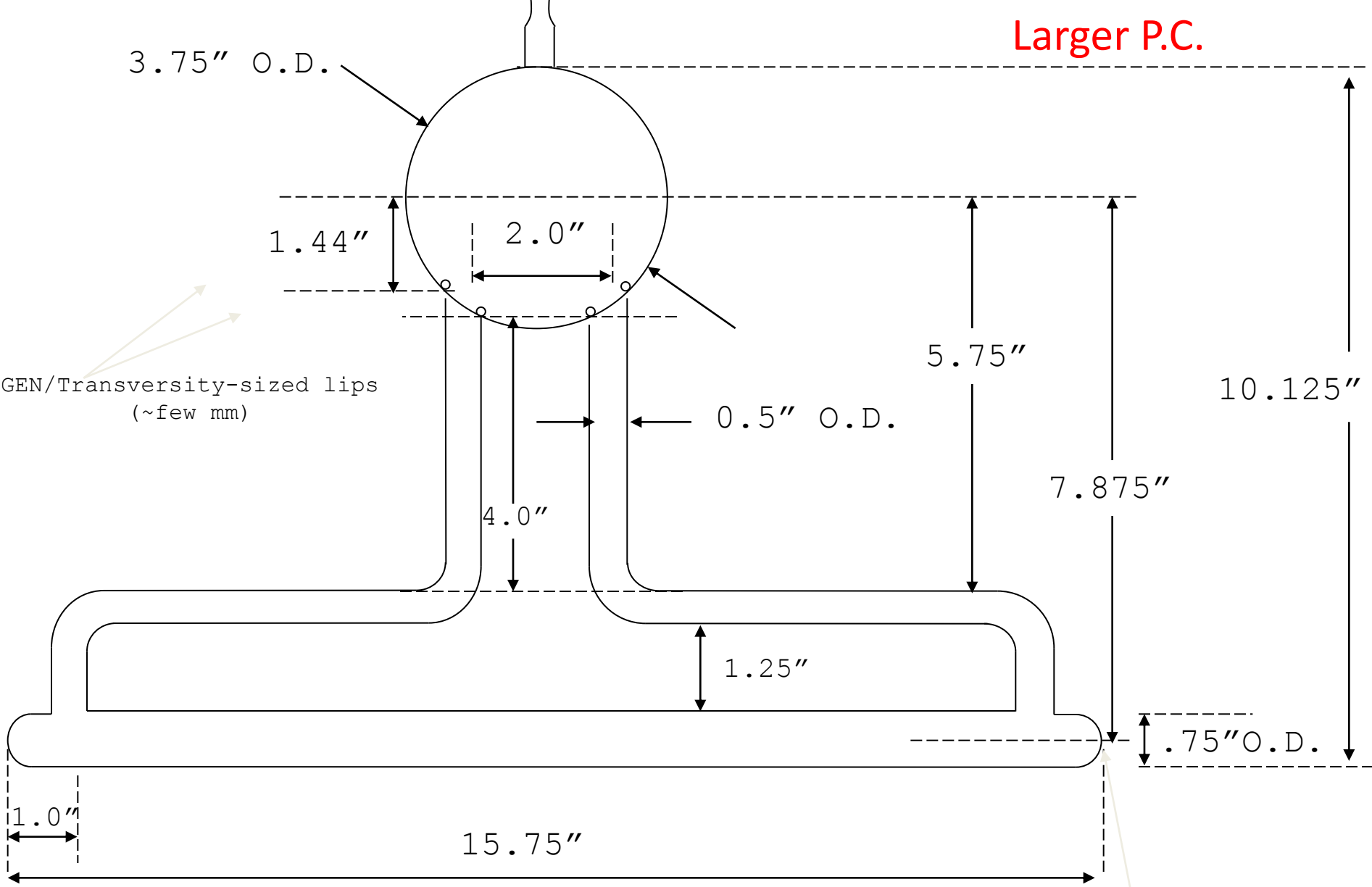
15.75"

Convection Cell Design 2.62

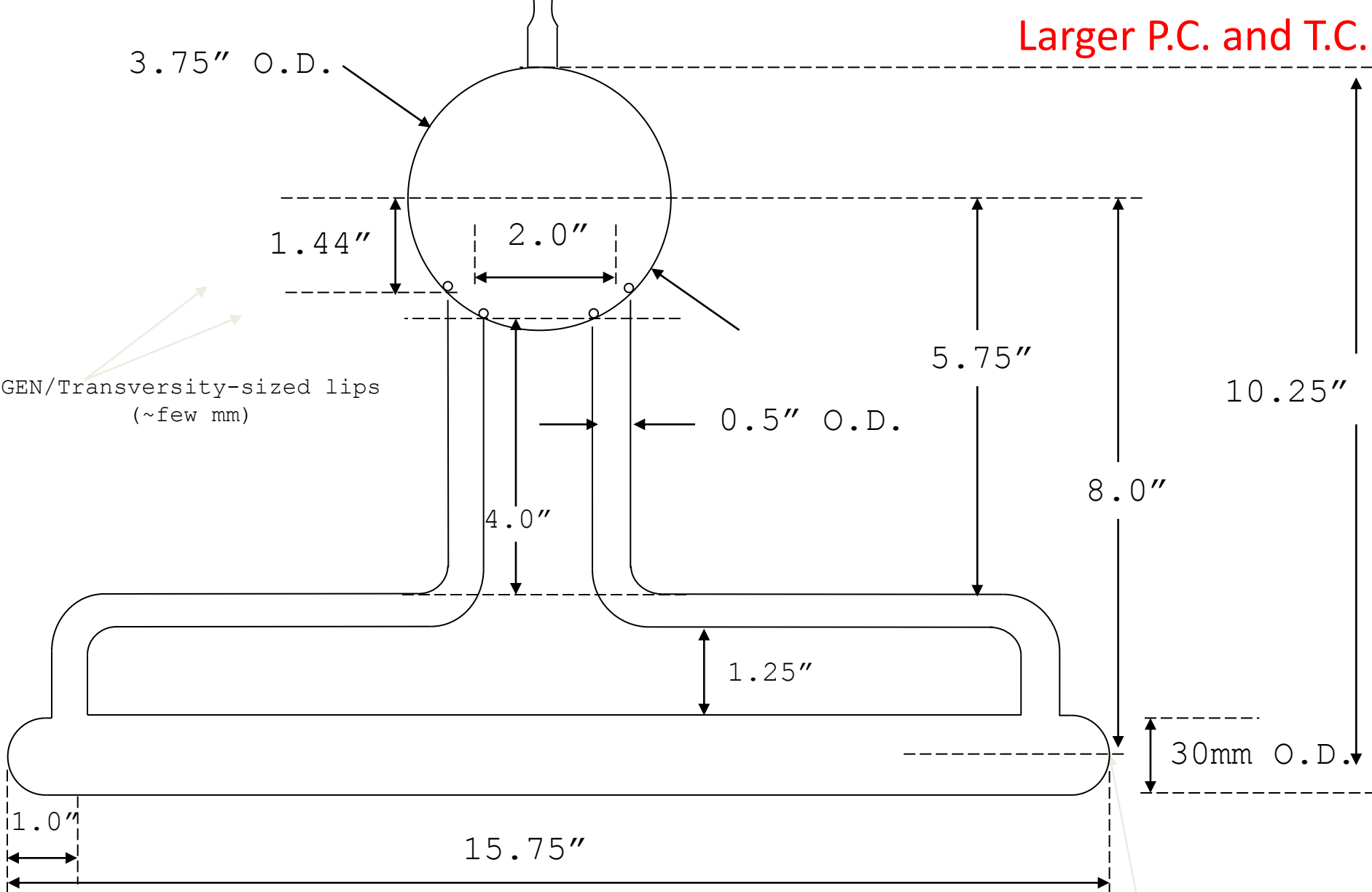
GE 180 Glass

Peter Dolph and Al Tobias 3.28.11

Windows same thickness as rest of target chamber



Larger P.C. and T.C.



Convection Cell Design 2.62
 GE 180 Glass
 Peter Dolph and Al Tobias 3.28.11

Windows same thickness as rest
 of target chamber