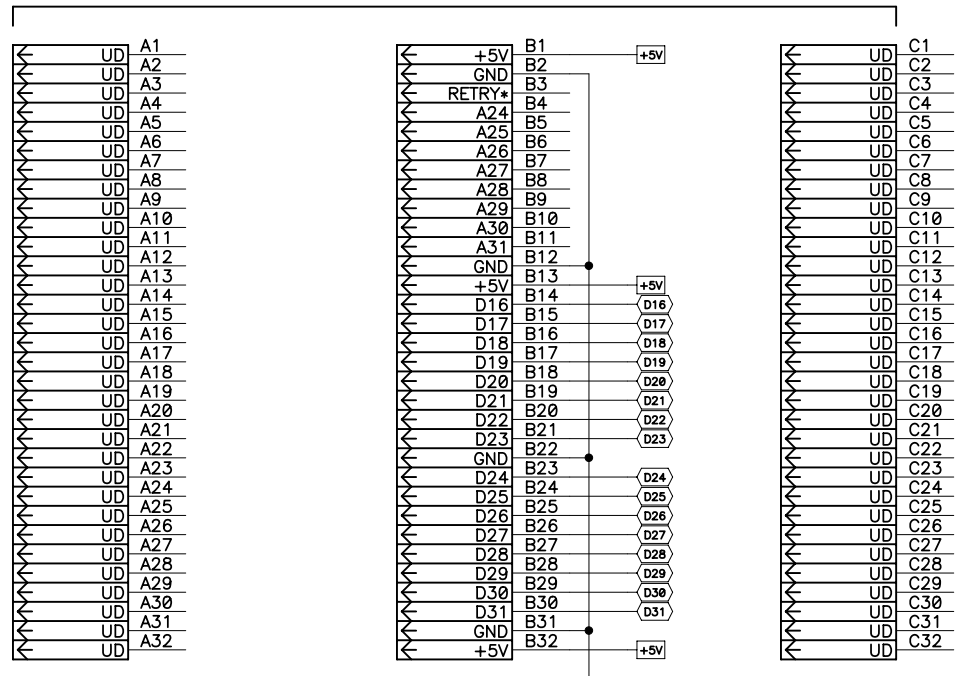
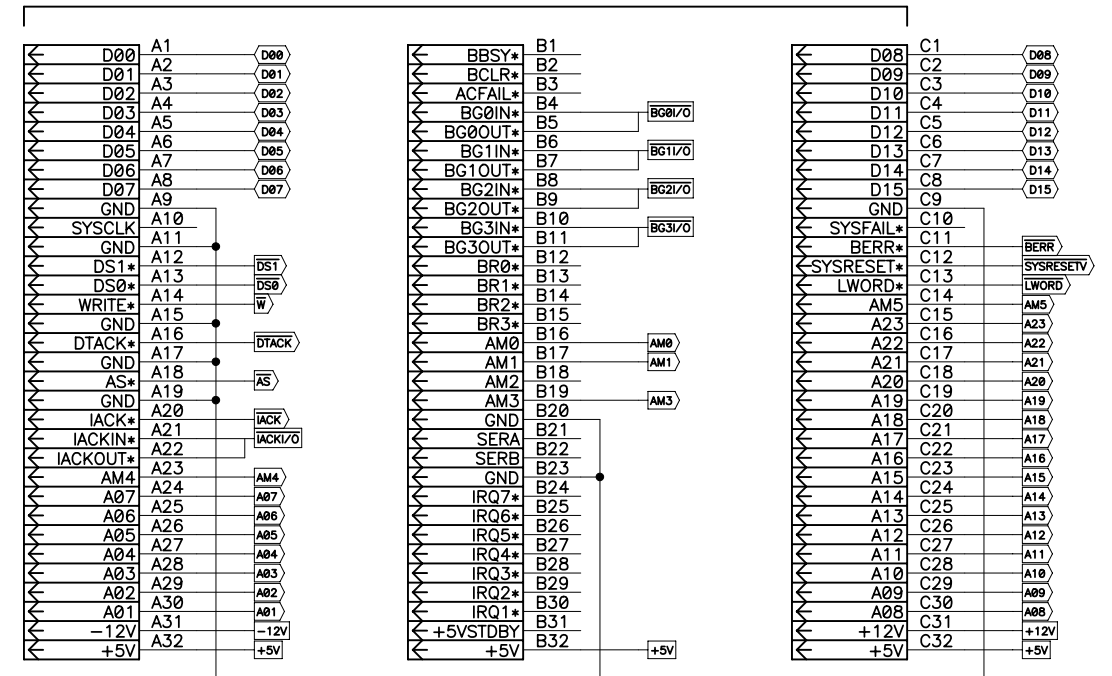
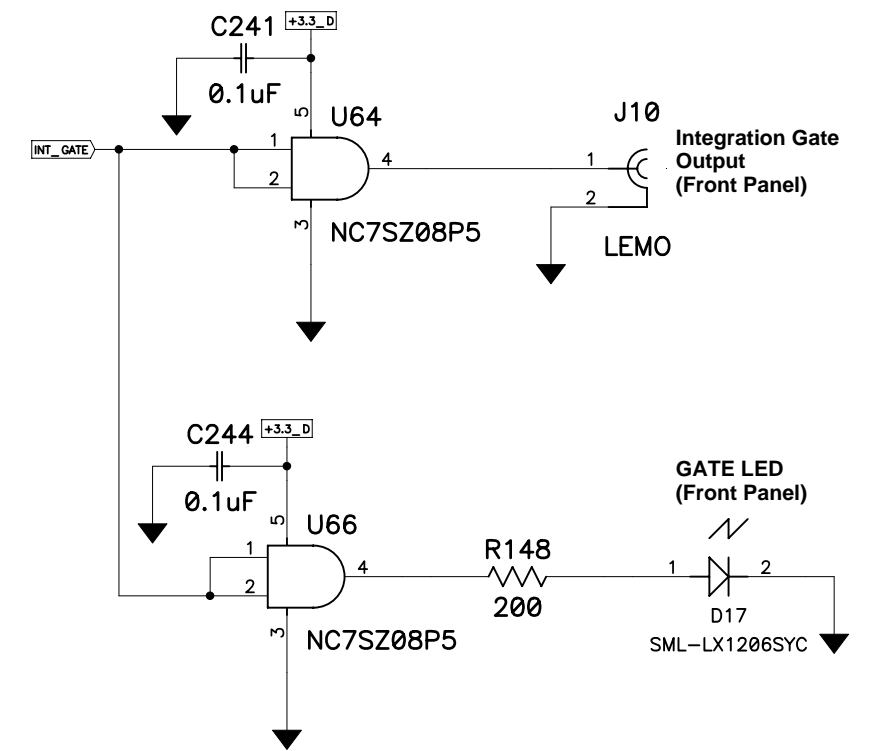
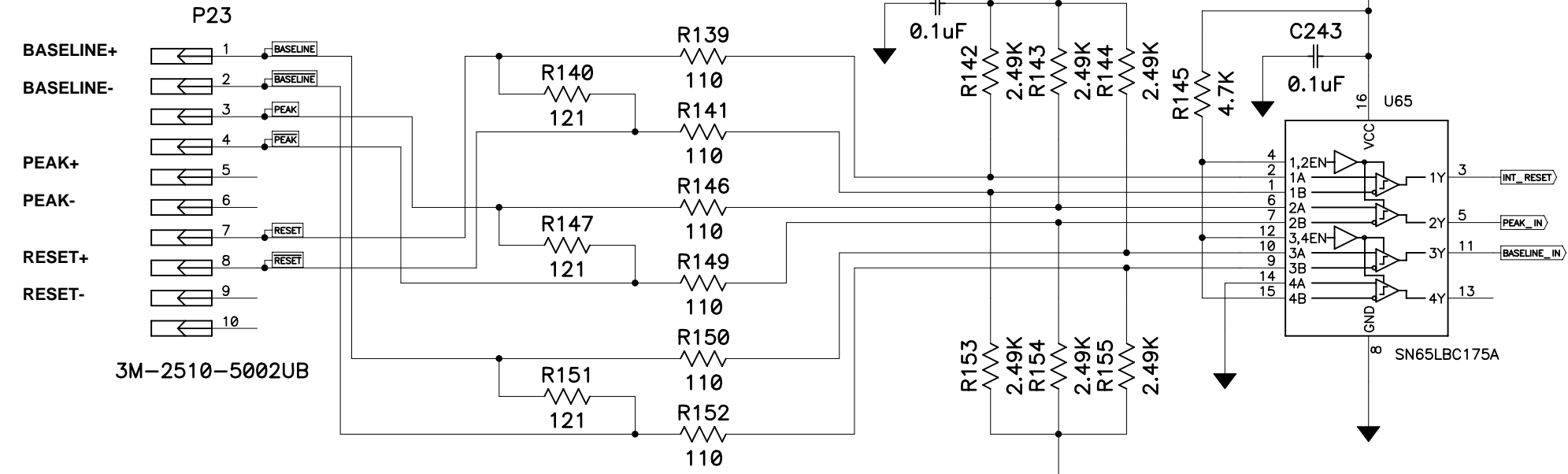


P21  
VME96-P1  
AMP-536010-5

P22  
VME96-P2  
AMP-536010-5



From HAPPEX Timing Board  
(Front Panel)



**CONFIDENTIAL INFORMATION - INTELLECTUAL PROPERTY**  
EXCEPT AS SPECIFICALLY AUTHORIZED BY THE  
AUTHORS, THE INFORMATION IN THIS DOCUMENT  
SHALL NOT BE DISCLOSED, DISSEMINATED NOR COPIED.

<b>TITLE</b> HIGH RESOLUTION 18-BIT ADC Hall A HAPPEX FJ Barbosa, E. Jastrzembski, J. Wilson I/O			
<b>SIZE</b> B	<b>CAD I.D. NO.</b>	<b>DRAWING NO.</b> 18-BIT_ADC_V2_1.SCH	<b>REV.</b>
<b>SCALE</b>	<b>SHOWN ON</b>	<b>SHEET OF</b> 10 16	



DWG. NO.

SH.

REV.