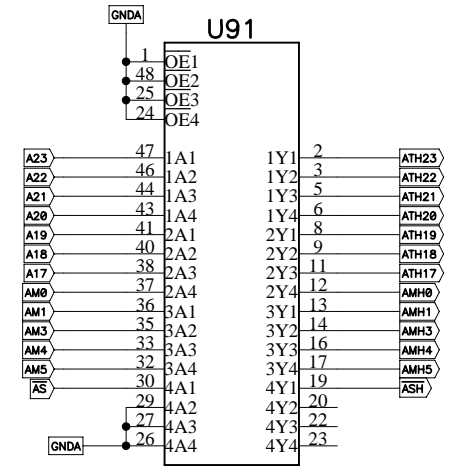
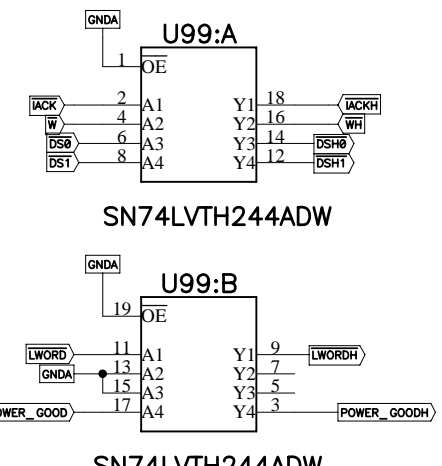


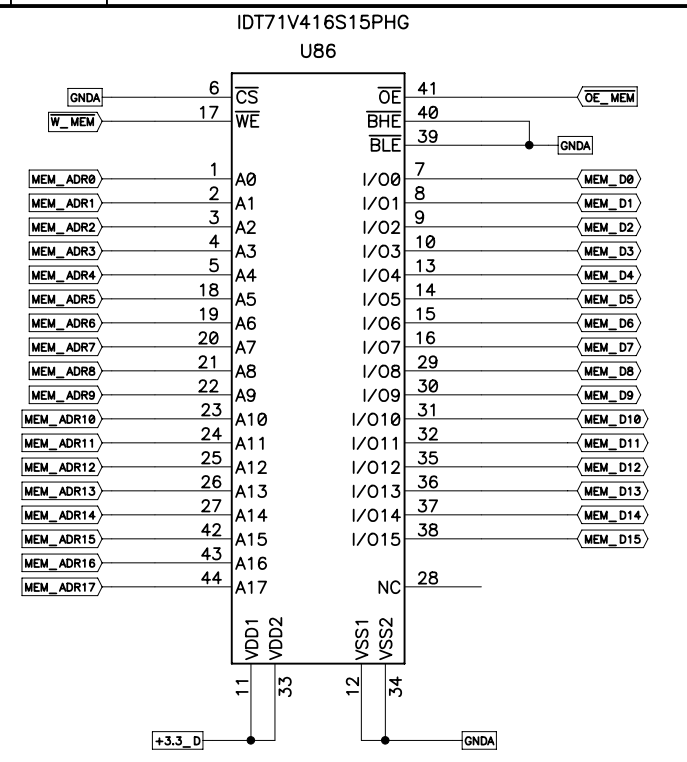
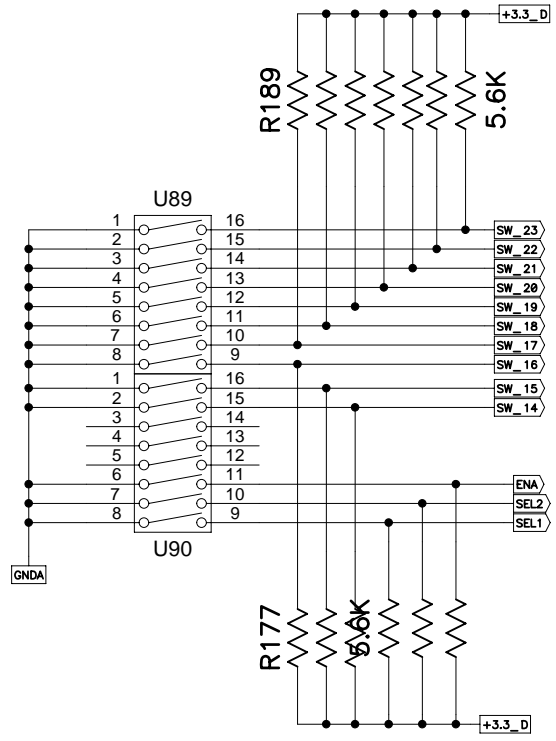
SN74LVTH16244A68



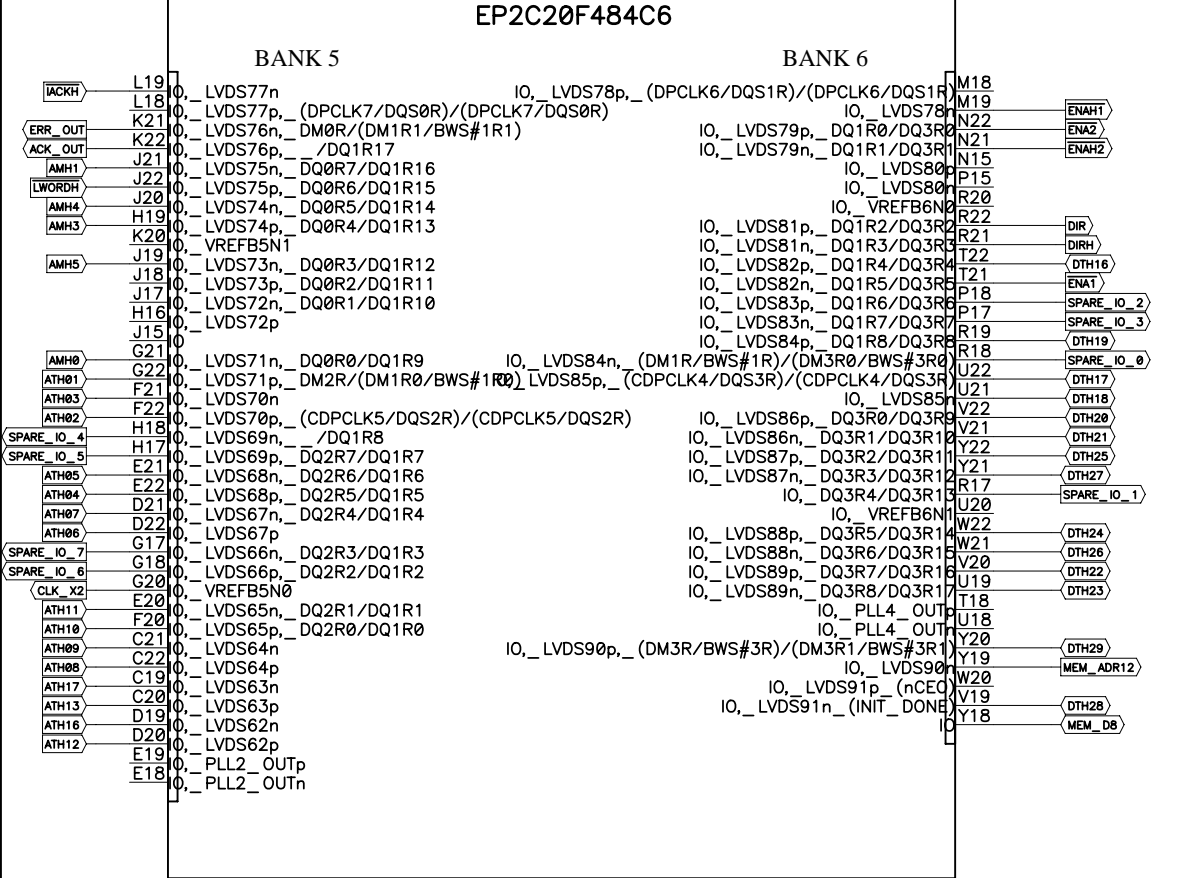
Ed double check the unused inputs SN74LVTH16244A68



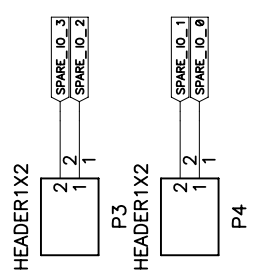
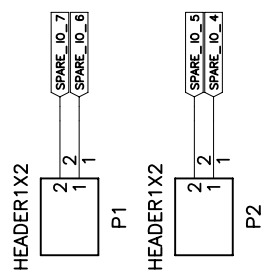
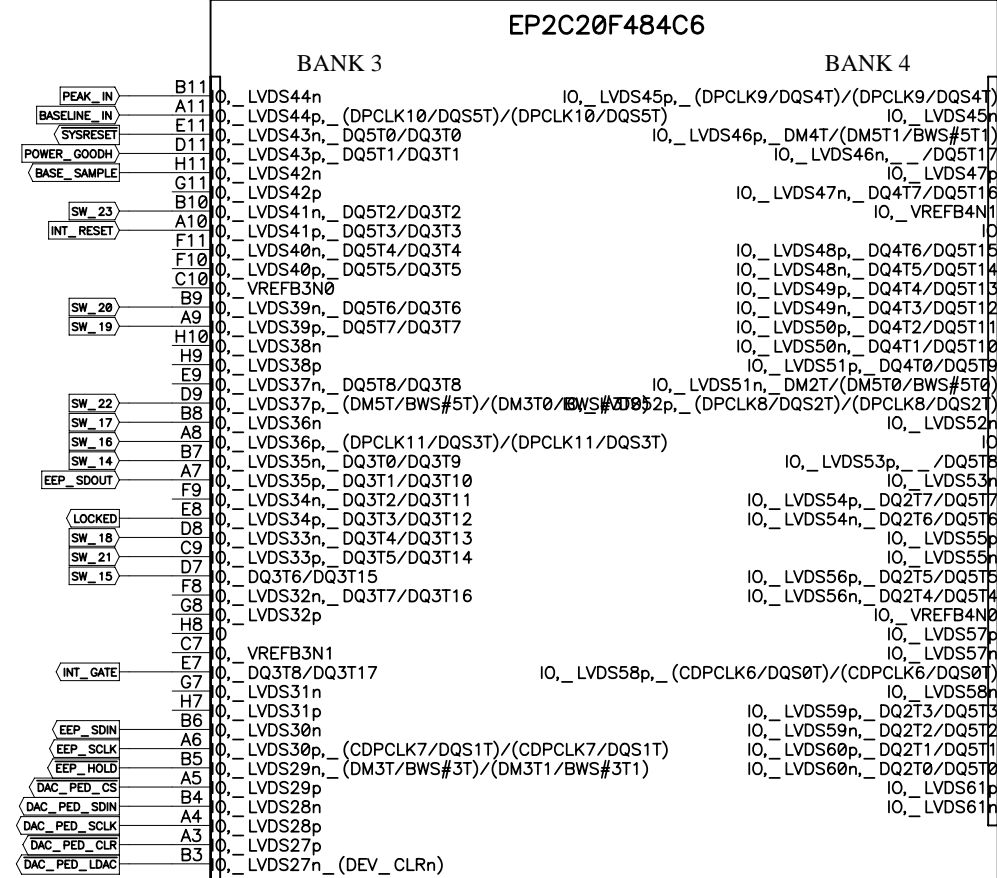
SN74LVTH244ADW



U82:C EP2C20F484C6



U82:B EP2C20F484C6



CONFIDENTIAL INFORMATION – INTELLECTUAL PROPERTY
 EXCEPT AS SPECIFICALLY AUTHORIZED BY THE AUTHORS, THE INFORMATION IN THIS DOCUMENT SHALL NOT BE DISCLOSED, DISSEMINATED NOR COPIED.

TITLE HIGH RESOLUTION 18-BIT ADC Hall A HAPPEX FJ Barbosa, E. Jastrzembski, J. Wilson PLD			
SIZE	CAD I.D. NO.	DRAWING NO.	REV.
B		18-BIT_ADC_V2.1.SCH	
SCALE	SHOWN ON	SHEET OF	14 16



DWG. NO.

SH.

REV.