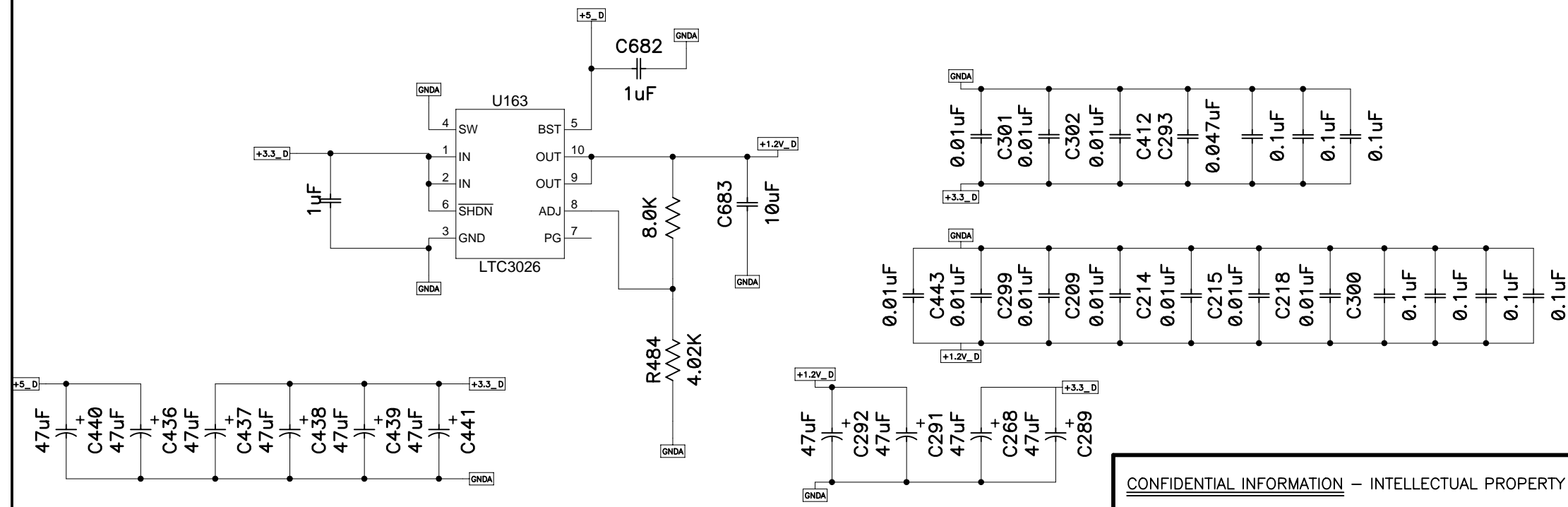


LTC3026 GENERATES 1.2V FOR CORE OF CYCLONE II CHIP



CONFIDENTIAL INFORMATION – INTELLECTUAL PROPERTY
 EXCEPT AS SPECIFICALLY AUTHORIZED BY THE
 AUTHORS, THE INFORMATION IN THIS DOCUMENT
 SHALL NOT BE DISCLOSED, DISSEMINATED NOR COPIED.

TITLE HIGH RESOLUTION 18-BIT ADC Hall A HAPPEX FJ Barbosa, E. Jastrzembki, J. Wilson POWER			
SIZE B	CAD I.D. NO.	DRAWING NO. 18-BIT_ADC_V2_1.SCH	REV.
SCALE	SHOWN ON	SHEET OF 16 OF 16	



DWG. NO.

SH.

REV.