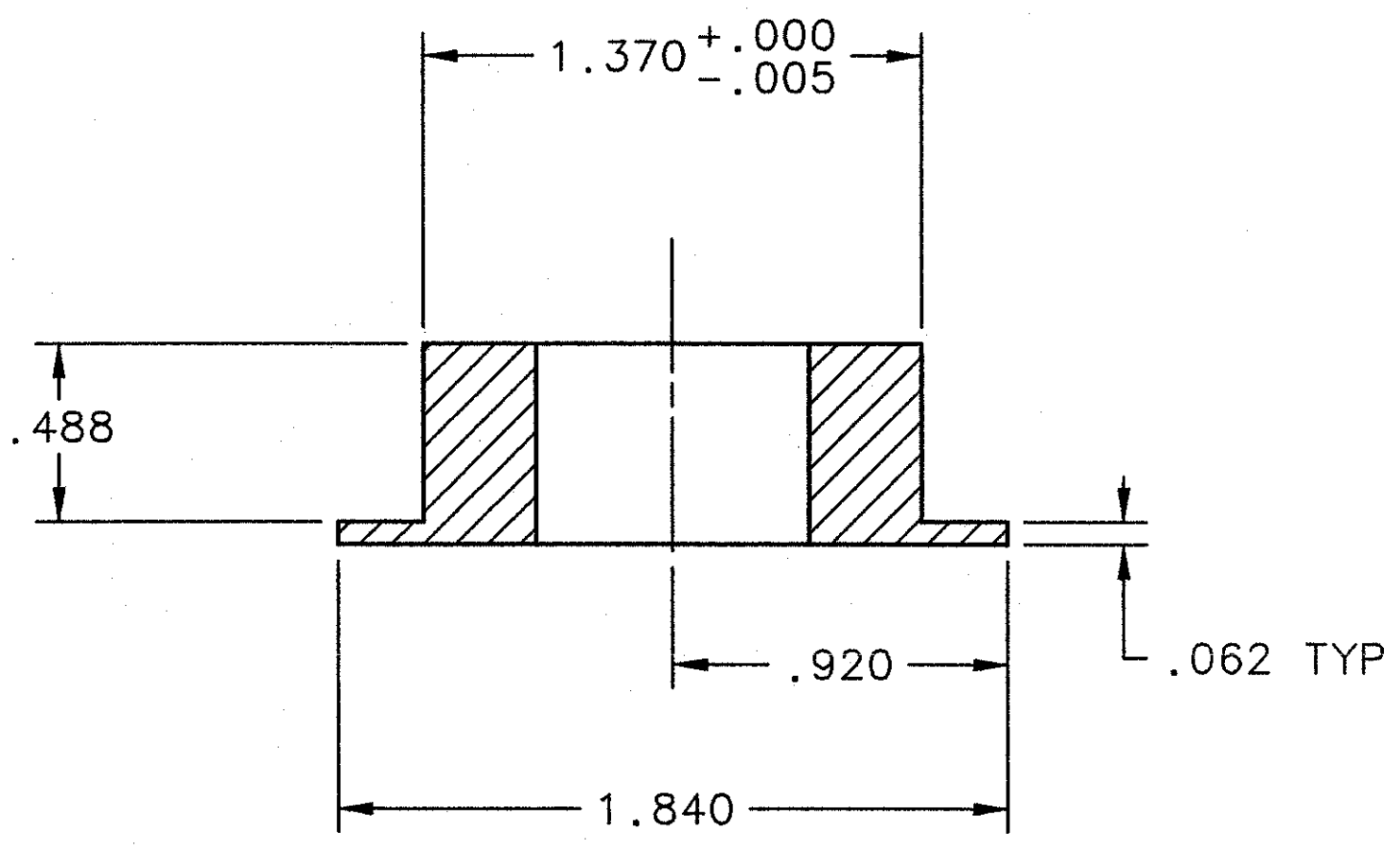
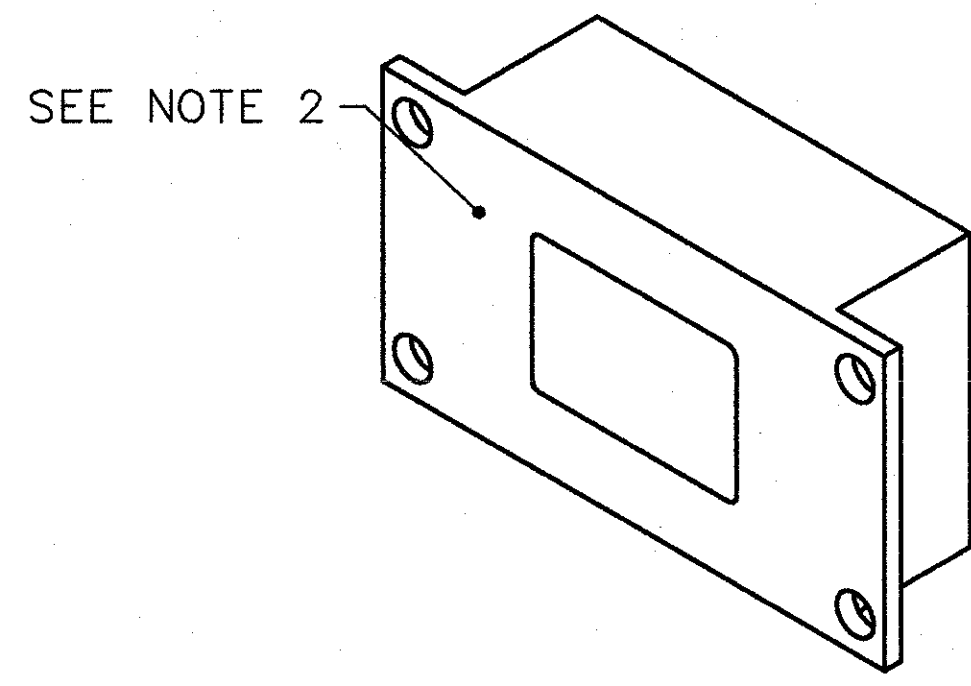


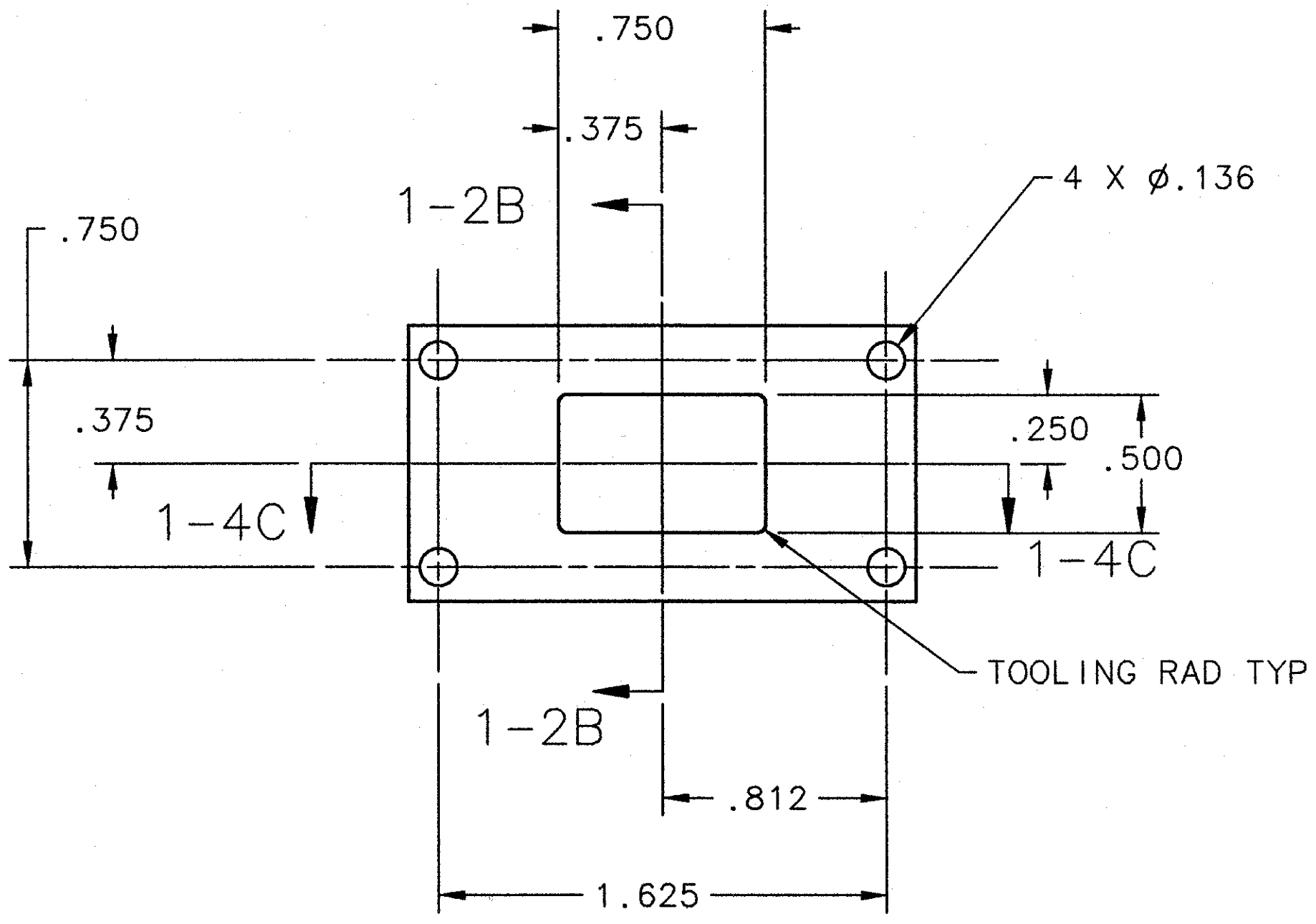
REVISION HISTORY				
ZONE	REV	DESCRIPTION	DATE	APPROVED



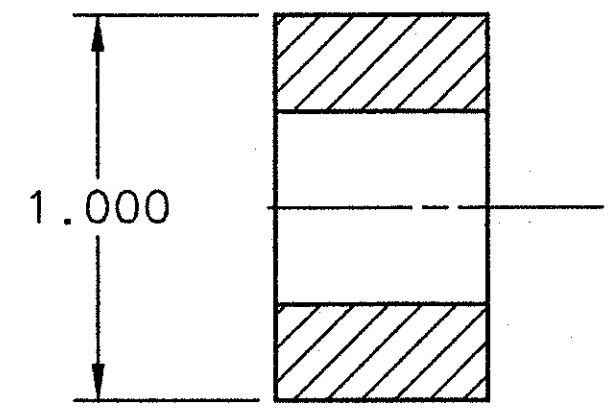
SECT VIEW 1-4C



ISO VIEW 1-1C



FRONT VIEW 1-4A



SECT VIEW 1-2B

- NOTES:  
 1. APPROX. WEIGHT .2 LBS.  
 2. STAMP OR PAINT 'STRAIGHT PLUG' ON THIS FACE.

DOCUMENT CONTROL STAMP 	DIM & TOL PER ASME Y14.5 - UNLESS OTHERWISE SPECIFIED DIMENSIONS ARE IN INCHES TOLERANCES ARE: FRACTIONS DECIMAL ANGLES ± N/A .X ±.1 ± .50° .XX ±.01 .XXX ±.005	TRACKING NO. N/A		United States Department of Energy <b>Jefferson Lab</b> <small>Thomas Jefferson National Accelerator Facility</small> Newport News Virginia
		APPROVALS	DATE	
MATERIAL C101 OR 102 COPPER	THIRD ANGLE PROJECTION 	DRAWN J. MILLER	29NOV07	HALL A - PREX TARGET - CRYOTARGET LOOP LEAD TARGET LADDER INSERT PLUG STRAIGHT
FINISH MACHINED SURFACES 125 UNLESS OTHERWISE NOTED DEBURR & BREAK ALL SHARP EDGES		CHECKED <i>[Signature]</i>	30NOV07	
DO NOT SCALE DRAWING		APPROVED <i>[Signature]</i>	30NOV07	SIZE DWG. NO. <b>C</b> A06002-03-02-0112
		APPROVED <i>[Signature]</i>	30NOV07	REV. - SCALE 2:1 USED ON ASSY NO. A06002-03-02-0100 SHEET 1 OF 1