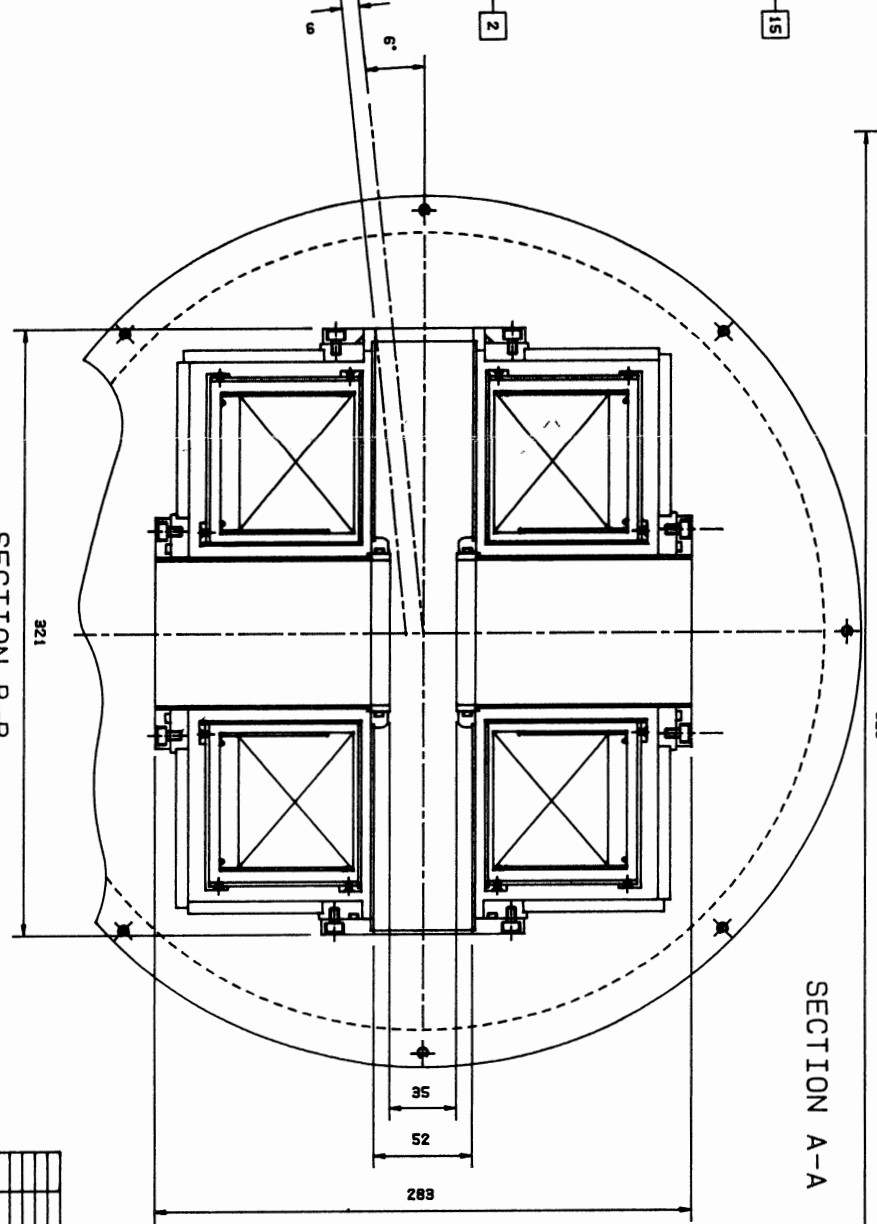
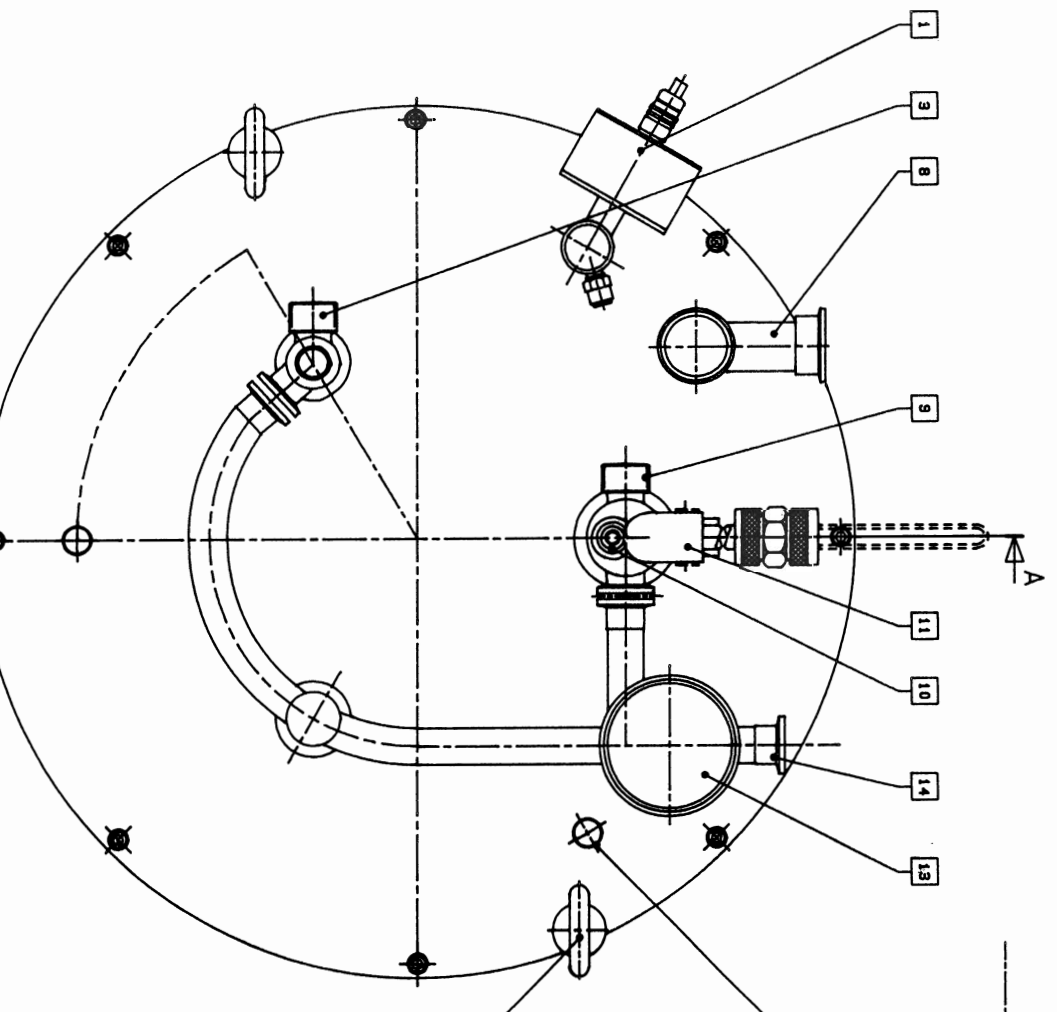
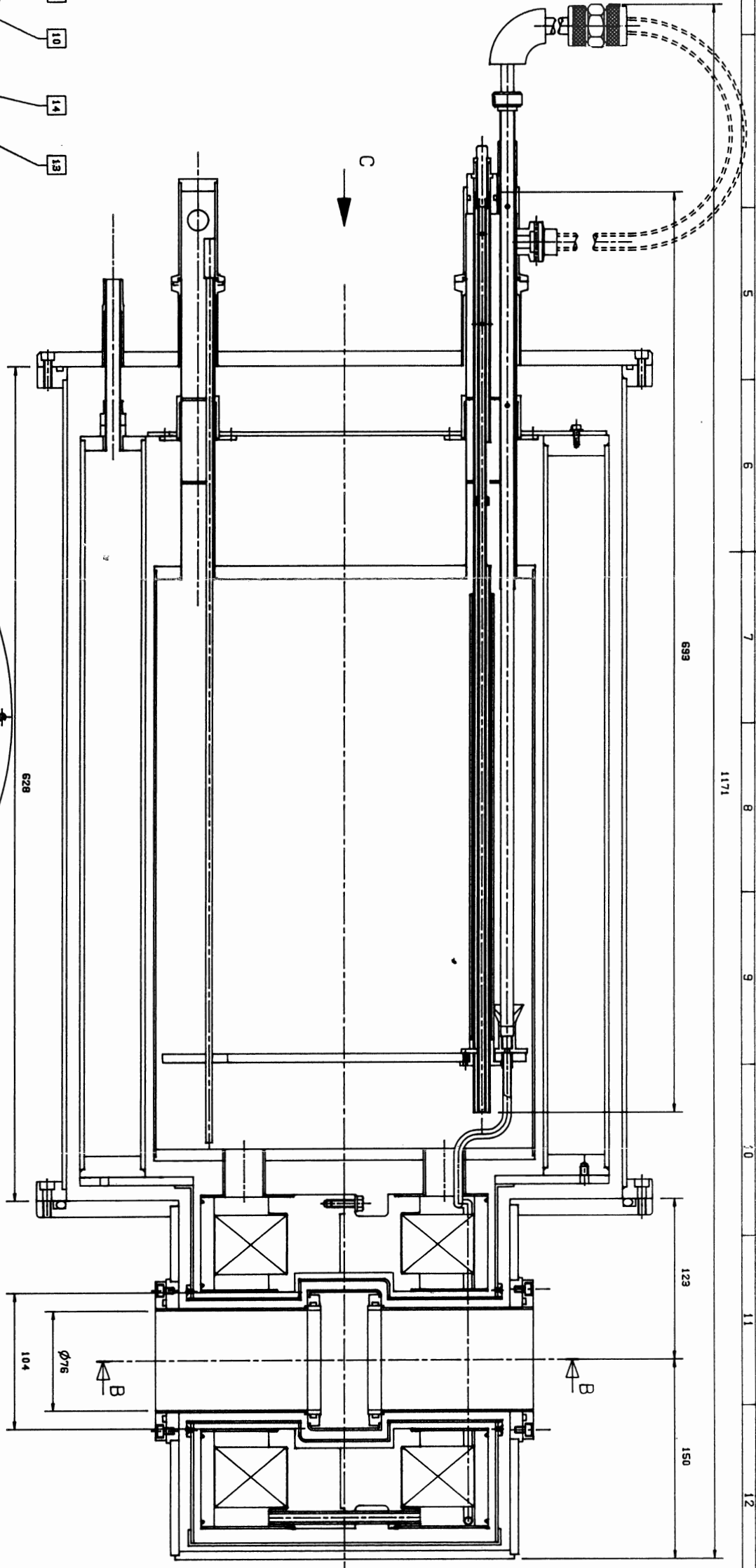


LEGEND:	
1	N2 SAFETY AND LEVEL METER
2	EYE BOLTS (2 OFF)
3	WIRING FOR HELIUM LEVEL PROBE.
4	
5	
6	
7	
8	O.V.C. 3/4 VAC VALVE & SAFETY
9	WIRING FOR SWITCH & A/B'S.
10	120amp CO-AX CURRENT LEAD
11	HELIUM FIXED SYMPHON
12	
13	QUENCH VALVE.
14	HELIUM RECOVERY MANIFOLD.
15	N2 STACKS FILL/VENT.
16	
17	



- NOTES:-
- 1- SYSTEM WIRING GA AG01237
 - 2- SYSTEM ACCESSORIES ZG01238
 - 3- SYSTEM SPARES ZG01239
 - 4- HELIUM LEVEL PROBE
OVER ALL LENGTH 660
ACTIVE LENGTH 404
 - 5- HELIUM VOLUME 27 LITRES
 - 6- NITROGEN VOLUME 25 LITRES
 - 7- OVC VOLUME 38 LITRES

DO NOT SCALE:
IF IN DOUBT ASK
REMOVE ALL DIMS
AND SHARP EDGES

THIS DRAWING BELONGS TO OXFORD INSTRUMENTS LIMITED
OPERATED BY OXFORD INSTRUMENTS LIMITED, 11, THE SQUARE,
A THIRD PARTY WITHOUT PRIOR CONSENT IN WRITING FROM
OXFORD INSTRUMENTS LIMITED, 11, THE SQUARE, OXFORD, OX1 1TL, ENGLAND

THIRD ANGLE PROJECTION

TOLERANCES
UNLESS STATED
X ± 0.5mm
X.X ± 0.3mm
X.XX ± 0.15mm
ANGLE ± 0°15'

UNLESS STATED
N7
1-2
M/M
UNLESS STATED

NO.	REVISED	DATE	BY	CHKD.	TITLE

JEFF COLES
36900 PROF. SICK

OXFORD
DRAWING NUMBER
AG01230
SHEET 1 OF 1