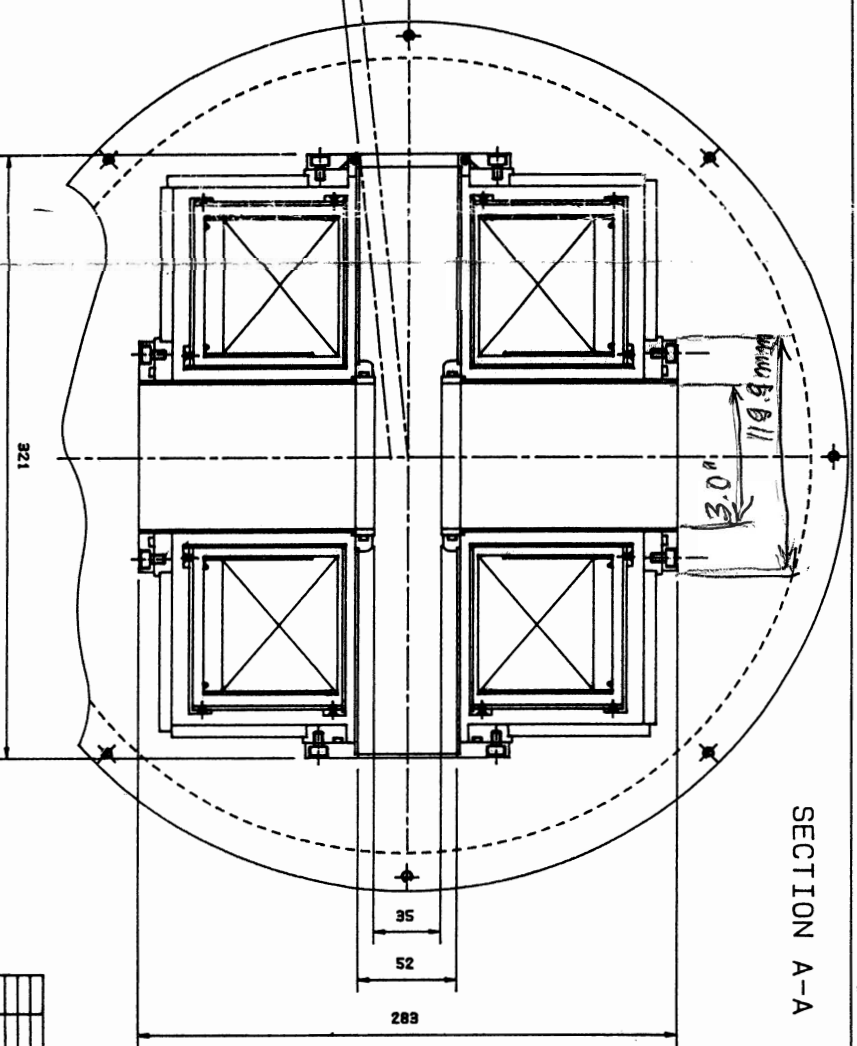
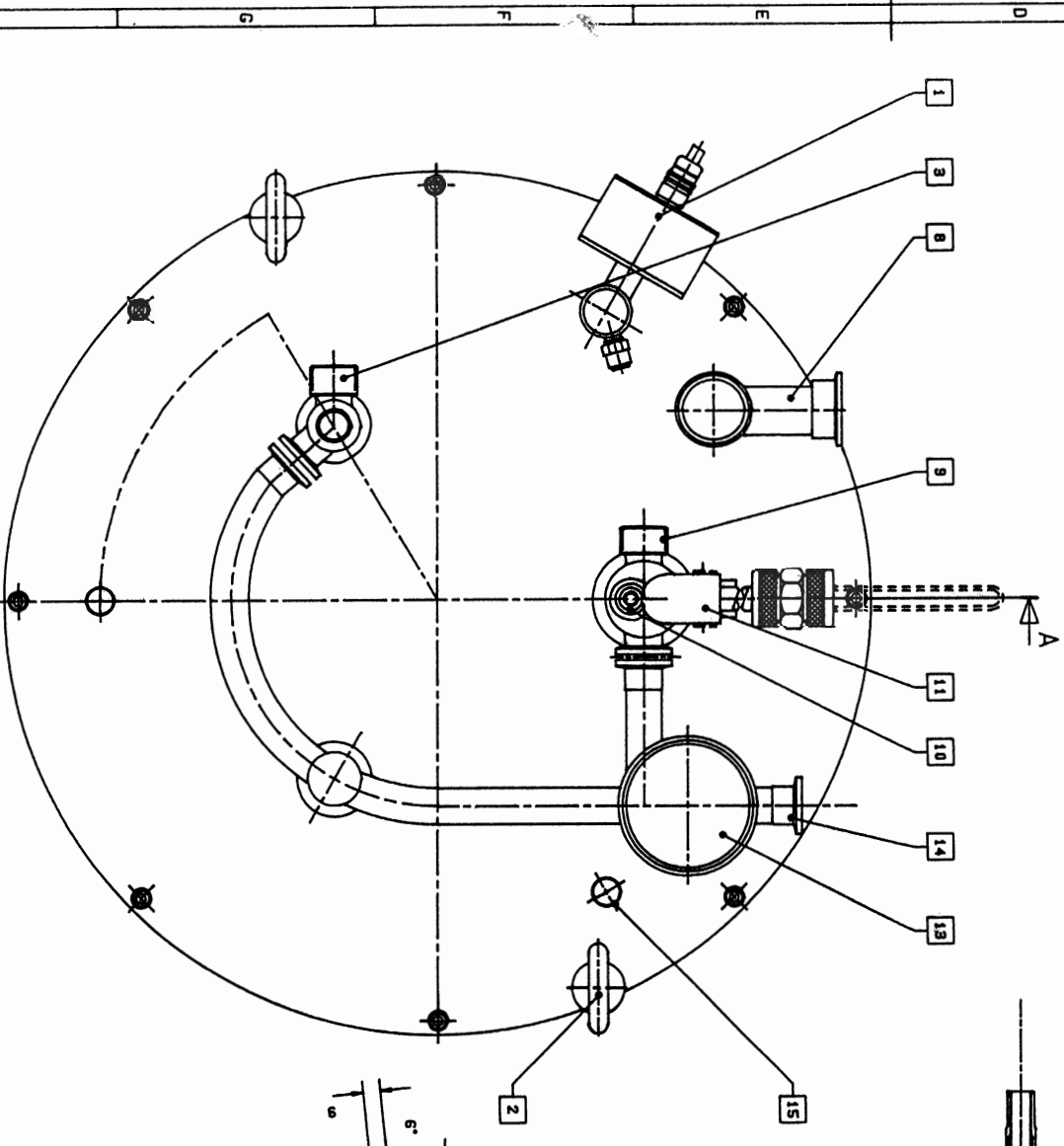
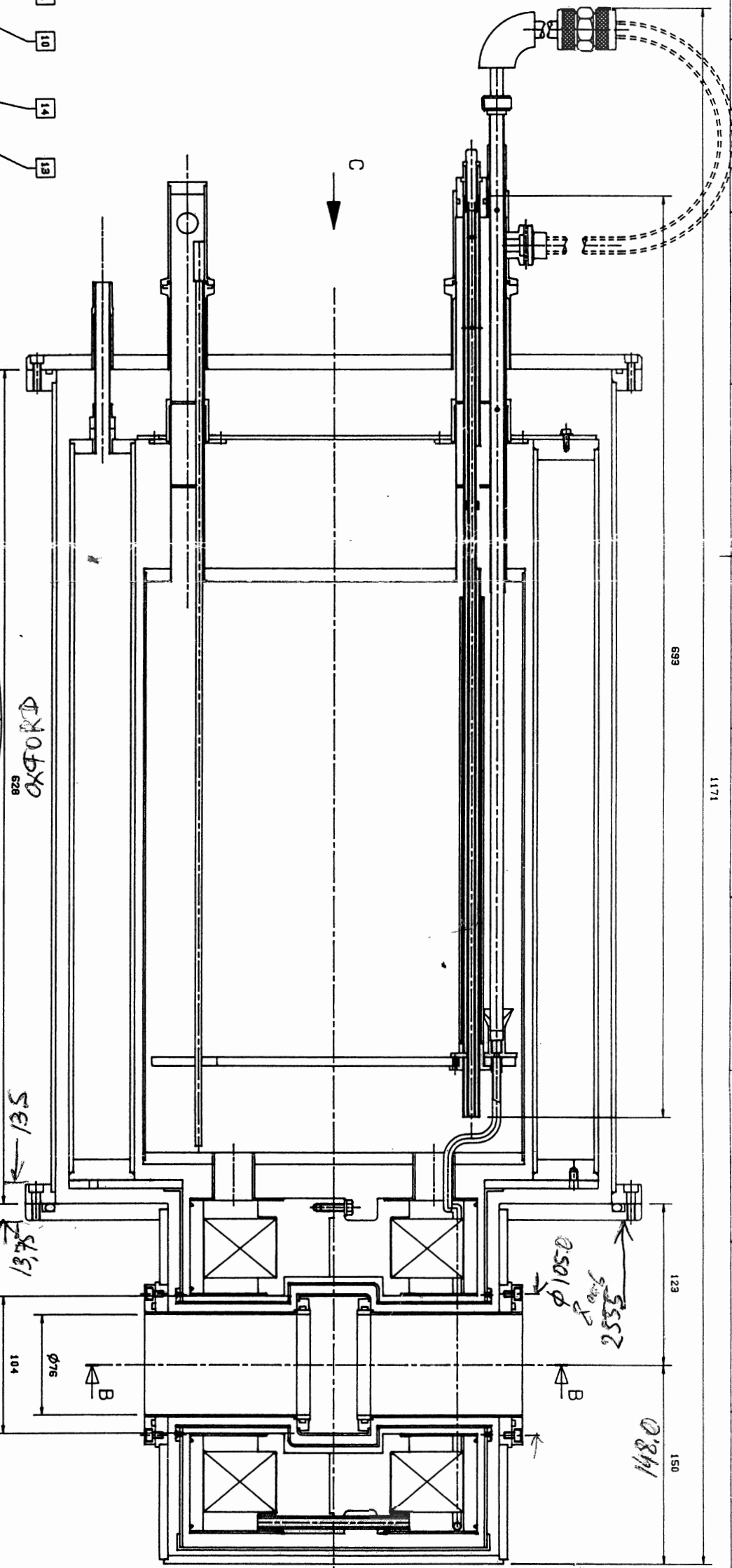


LEGEND:	
1	N2 SAFETY AND LEVEL METER
2	EYE BOLTS (2 OFF)
3	WIRING FOR HELIUM LEVEL PROBE.
4	
5	
6	
7	
8	O.V.C. 3/4 VAC VALVE & SAFETY
9	WIRING FOR SWITCH & A/B'S.
10	120amp CO-AX CURRENT LEAD
11	HELIUM FIXED SYPHON
12	QUENCH VALVE.
13	HELIUM RECOVERY MANIFOLD.
14	N2 STACKS FILL/VENT.
15	
16	
17	



- NOTES:-
- 1- SYSTEM WIRING GA AG01237
 - 2- SYSTEM ACCESSORIES ZG01238
 - 3- SYSTEM SPARES ZG01239
 - 4- HELIUM LEVEL PROBE OVER ALL LENGTH 660
 - 5- HELIUM VOLUME 27 LITRES ACTIVE LENGTH 404
 - 6- NITROGEN VOLUME 25 LITRES
 - 7- OVC VOLUME 38 LITRES

DO NOT SCALE
IF IN ANYWAY
REMOVE ALL BORDERS
AND SHARP EDGES

THIS DRAWING BELONGS TO OXFORD INSTRUMENTS LIMITED
AND IS ISSUED ON CONDITION THAT IT IS NOT COPIED,
REPRODUCED OR TRANSMITTED IN ANY MANNER
WITHOUT THE WRITTEN PERMISSION OF OXFORD INSTRUMENTS LIMITED.
OXFORD INSTRUMENTS LTD, STYNNHAM, OXFORD OX11 1TL, ENGLAND

THIRD ANGLE PROJECTION

TOLERANCES	UNLESS STATED
X.X	± 0.5mm
X.XX	± 0.3mm
ANGLE	± 0.15°

SCALE	UNLESS STATED
N/D	UNLESS STATED
1-2	UNLESS STATED

TITLE	DATE	BY	CHKD	APP'D
SYSTEM GA FOR 36900 PROF. SICK				

JEFF COLES
DRAWING NUMBER
AG01230
SHEET 1 OF 1

OXFORD