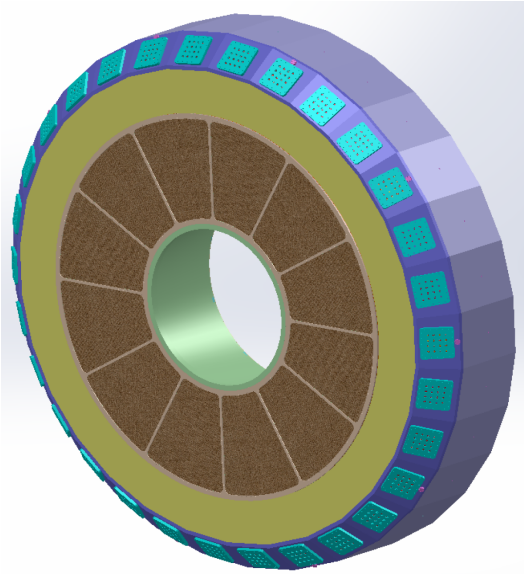


SoLID Heavy Gas Čerenkov Counter (HGCC)

The SoLID Heavy Gas Čerenkov Counter (HGCC) will help with the identification of both positive and negative pions with momentum from 2.5 to 7.5 GeV.



Momentum Range	2.5 – 7.5 GeV
Angular Range	8° – 14.8°
Kaon Rejection Rate	≥99%
Radiator	C ₄ F ₈ O
Pressure	1.5 atm
Tank Thickness	1m
Number of maPMTs	480
Number of Spherical Mirrors	30