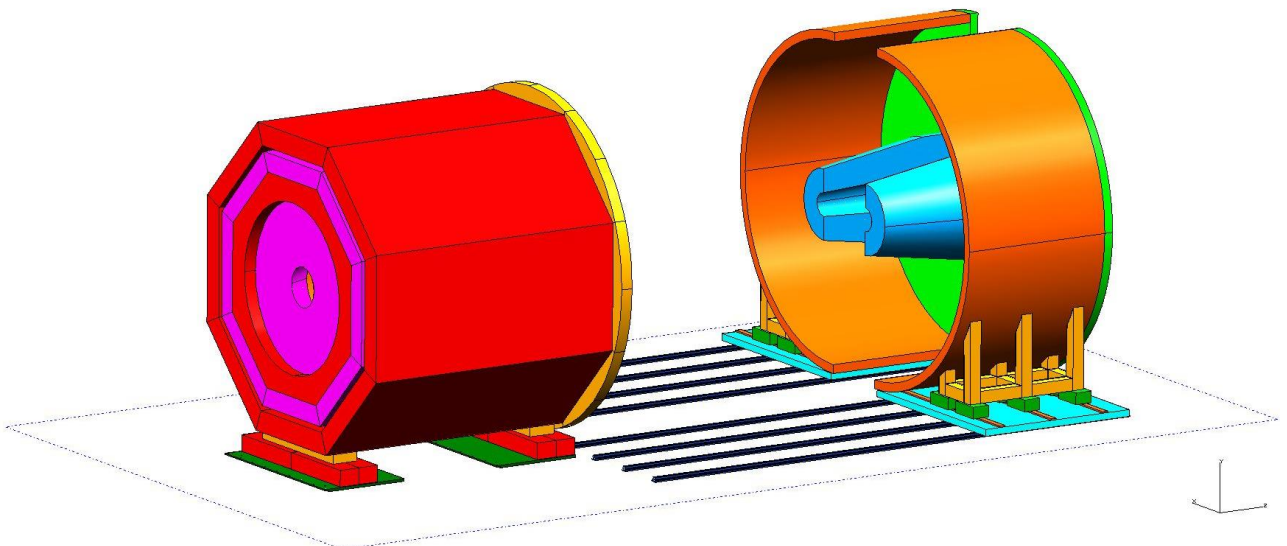
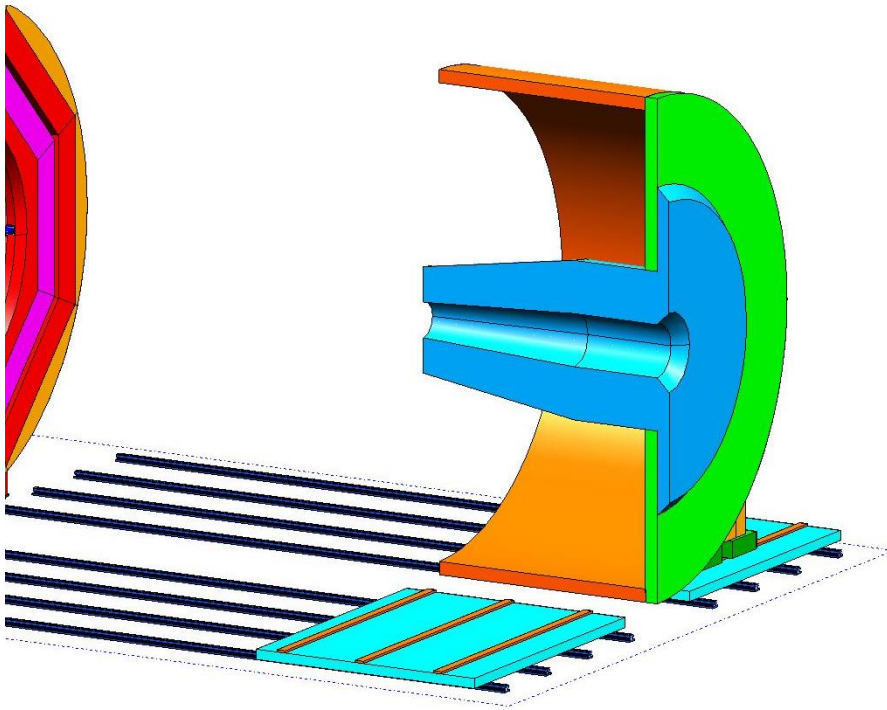


Endcap designed to split vertically into two sections that can be separated laterally for access down the centerline.

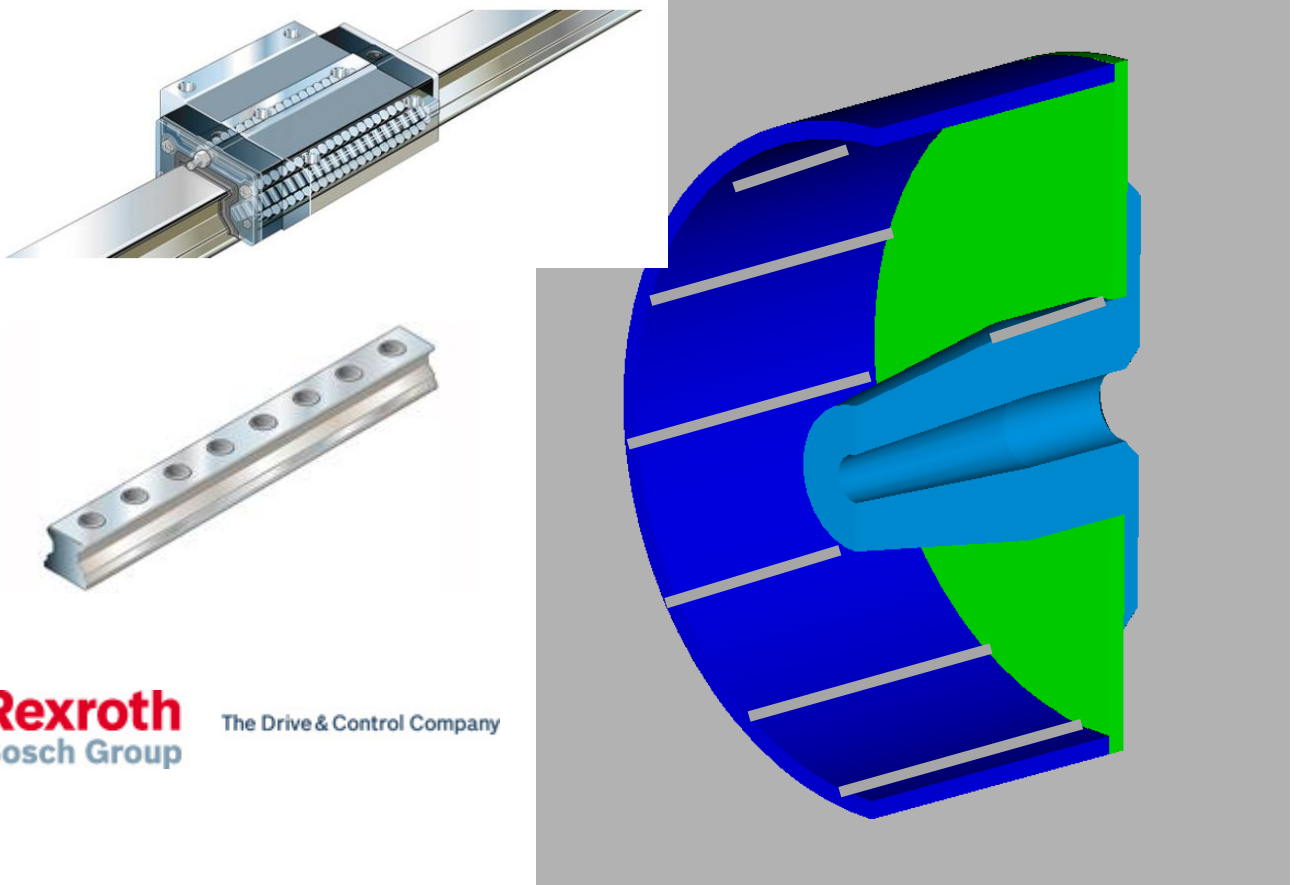




The 30 ton light blue nose section is bolted to the green back plate. The nose is intended to be cast as a single piece. The green back plate is to be bolted along its perimeter to the orange half cylinder. All of the pieces act as a single unit with no ability to remove small portions.

# Detector mounting system for stacking detectors in one piece detector hut half (slide from Mar 2013 collaboration meeting)

Several off the shelf options exist that would allow the detectors to be slid in from the front on rails. Below is one option. Rails are made of stainless steel and bolted along the length into the outer shell.



**Rexroth**  
Bosch Group

The Drive & Control Company

(this is just an example and not what we are locked into for rails)  
There will be rails on the nose that you can use for support as well