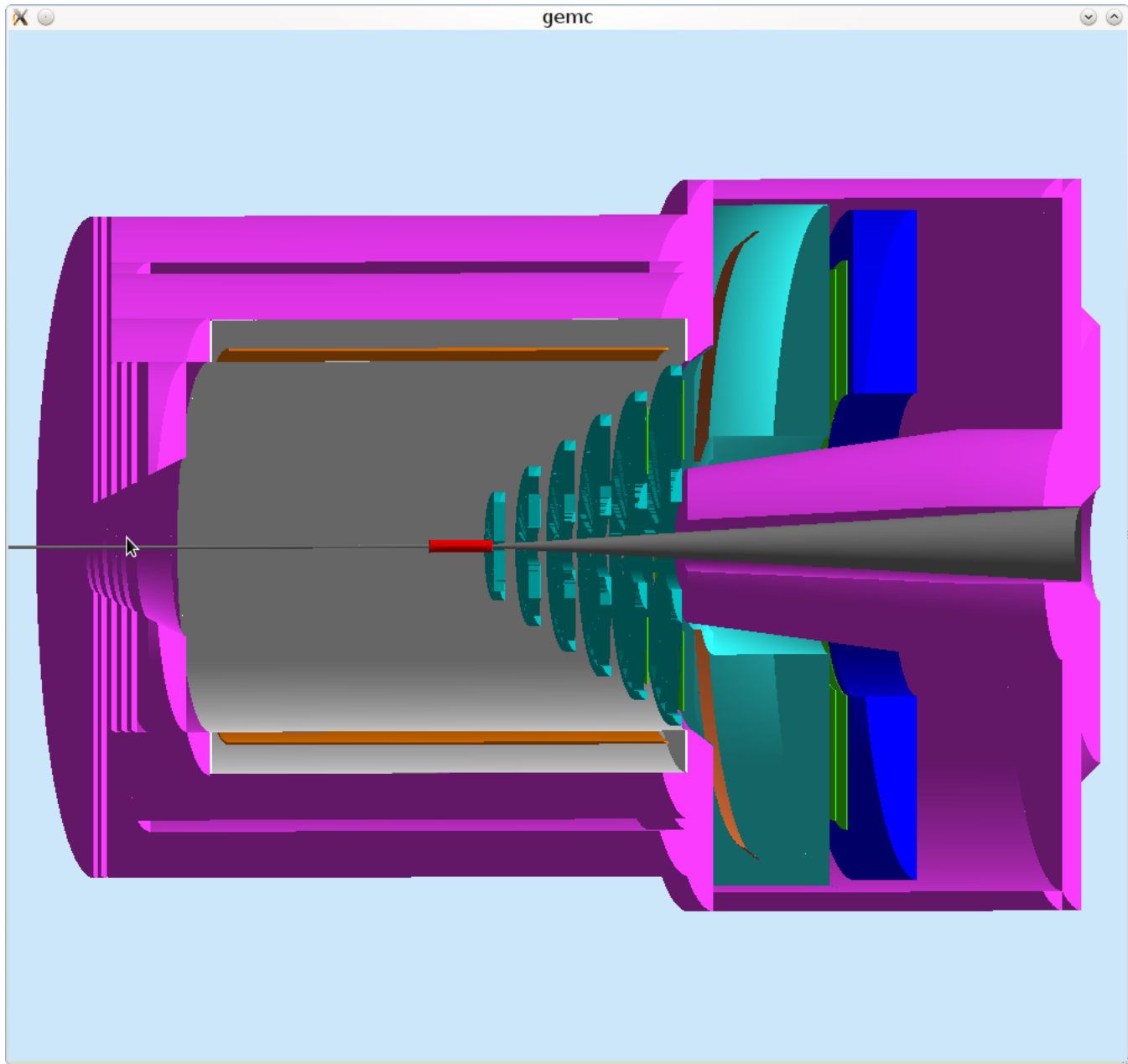
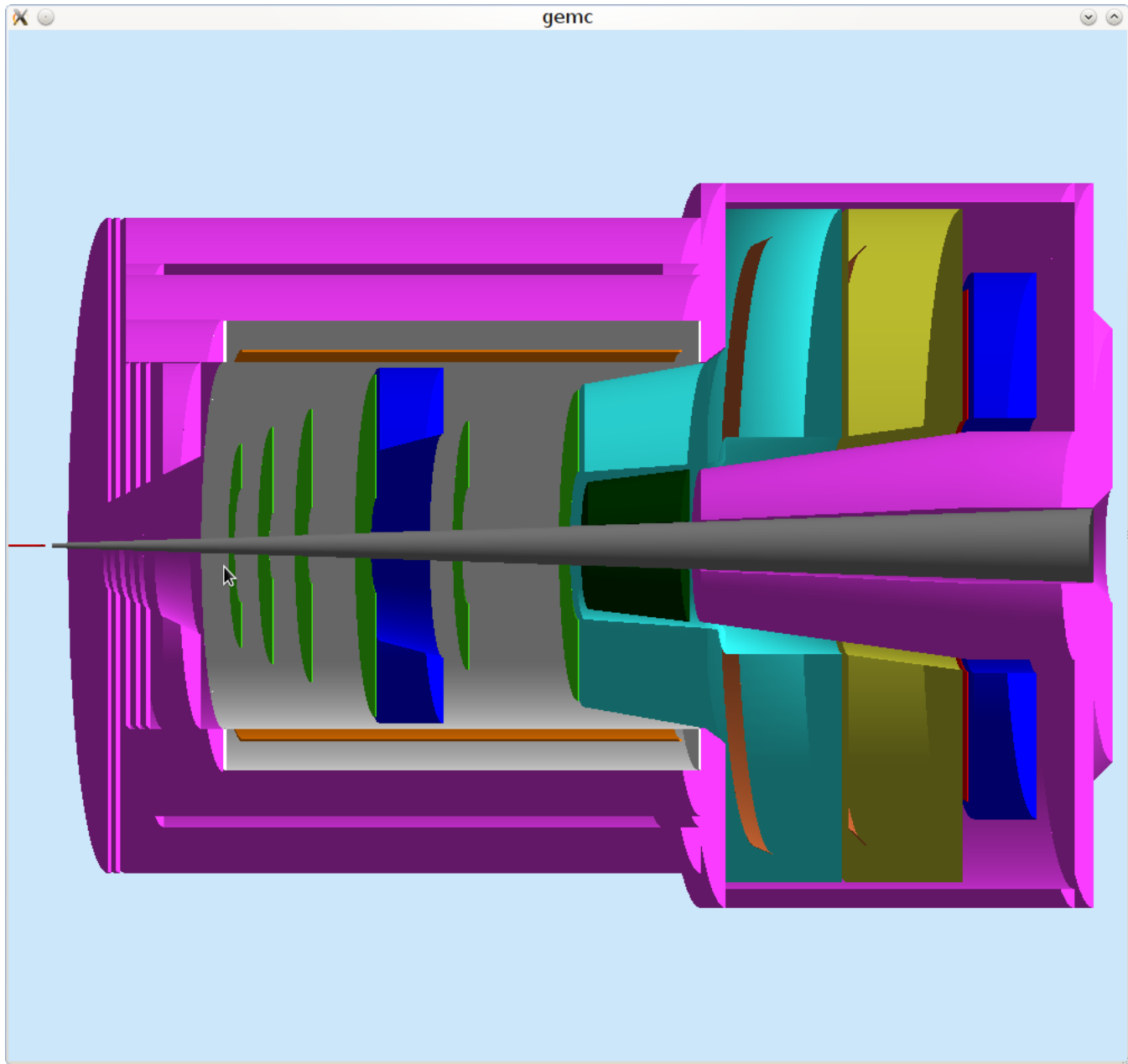


# SoLID CLEO software

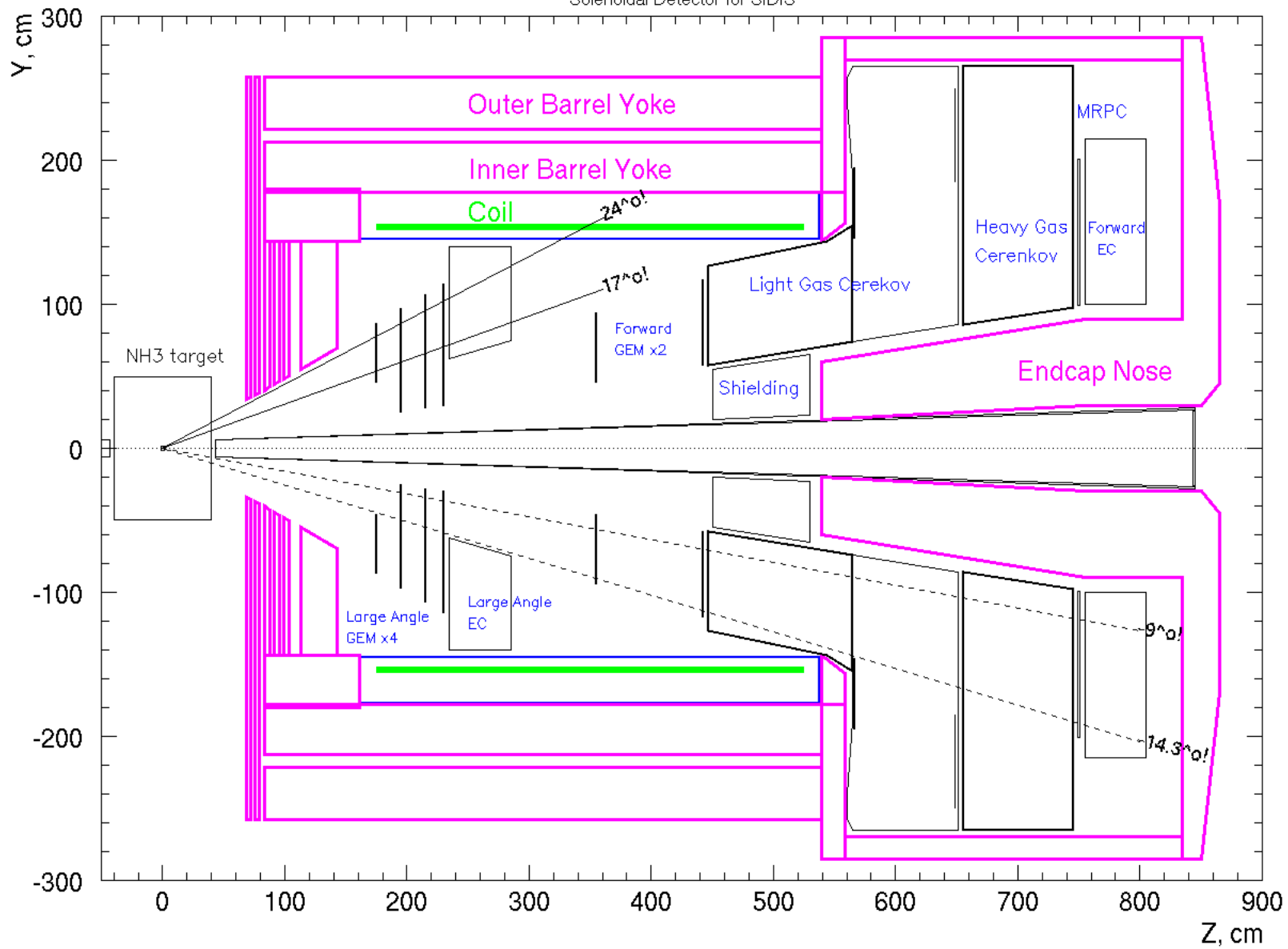
Zhiwen Zhao

2012/08



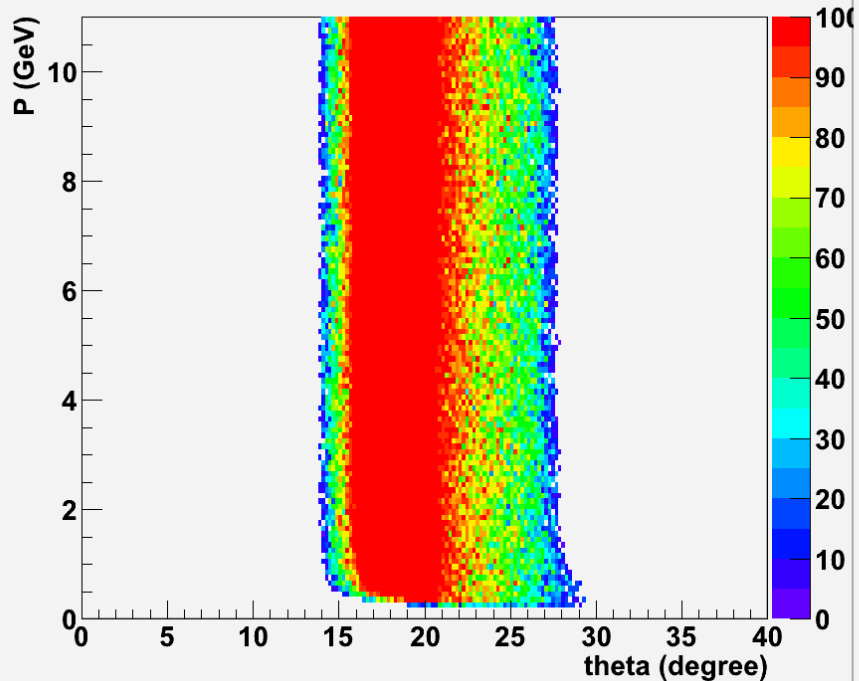


Solenoidal Detector for SIDIS

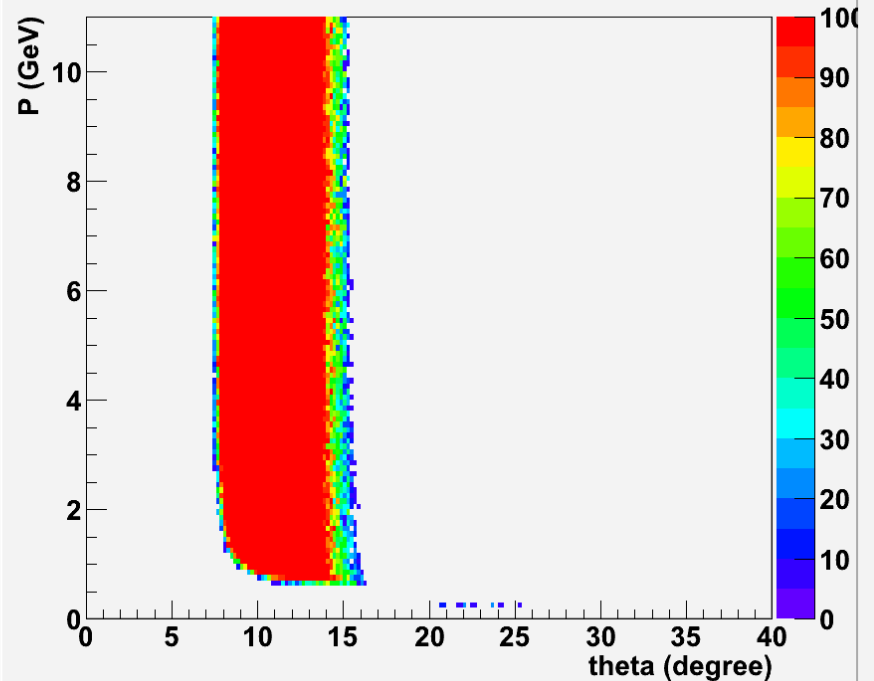


# Acceptance (SIDIS 3He EC)

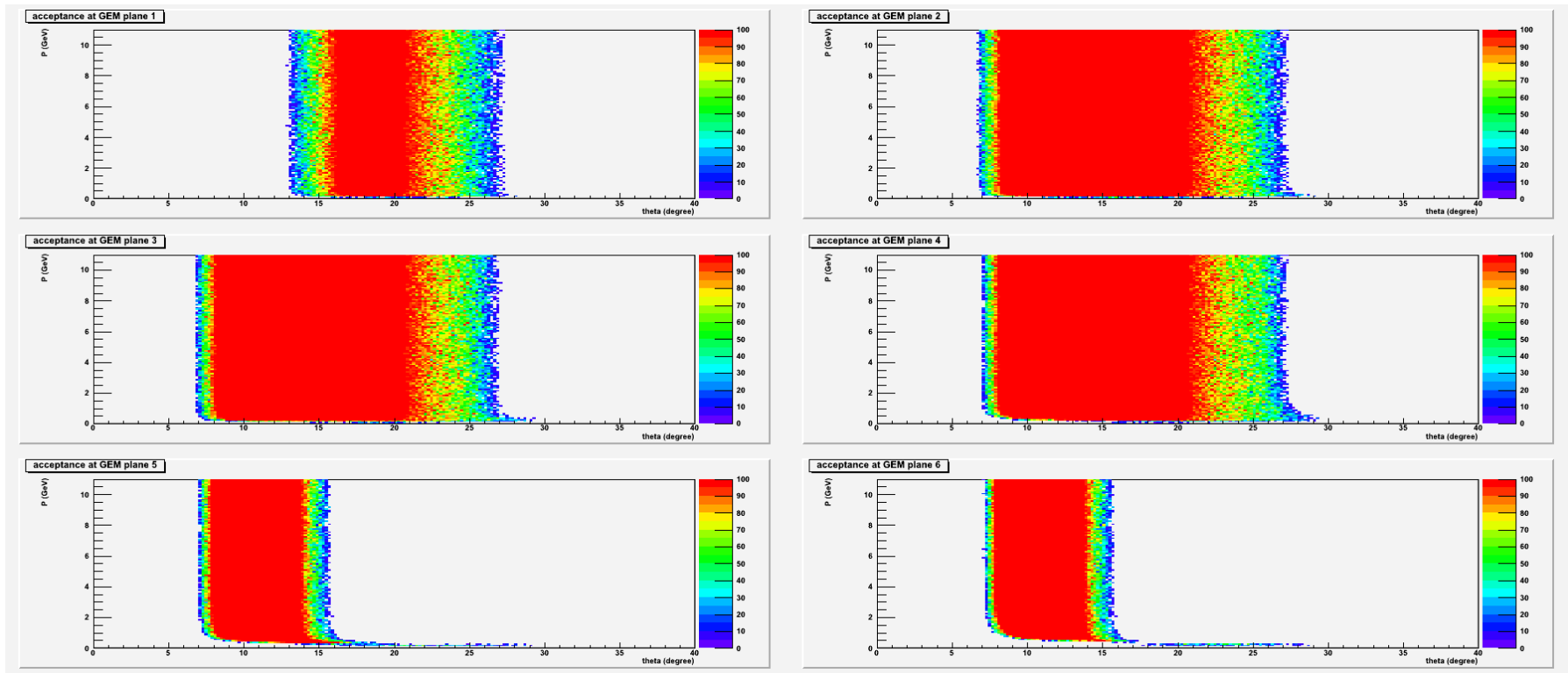
acceptance at EC largeangle



acceptance at EC forwardangle



# Acceptance (SIDIS 3He GEM)



# SVN

- [https://jlabsvn.jlab.org/svnroot/solid/solid\\_geometry](https://jlabsvn.jlab.org/svnroot/solid/solid_geometry)
  - database\_io
  - script
  - analysistool
    - acceptance
    - ...
- The database solid\_geometry updated
- Soldi wiki updated