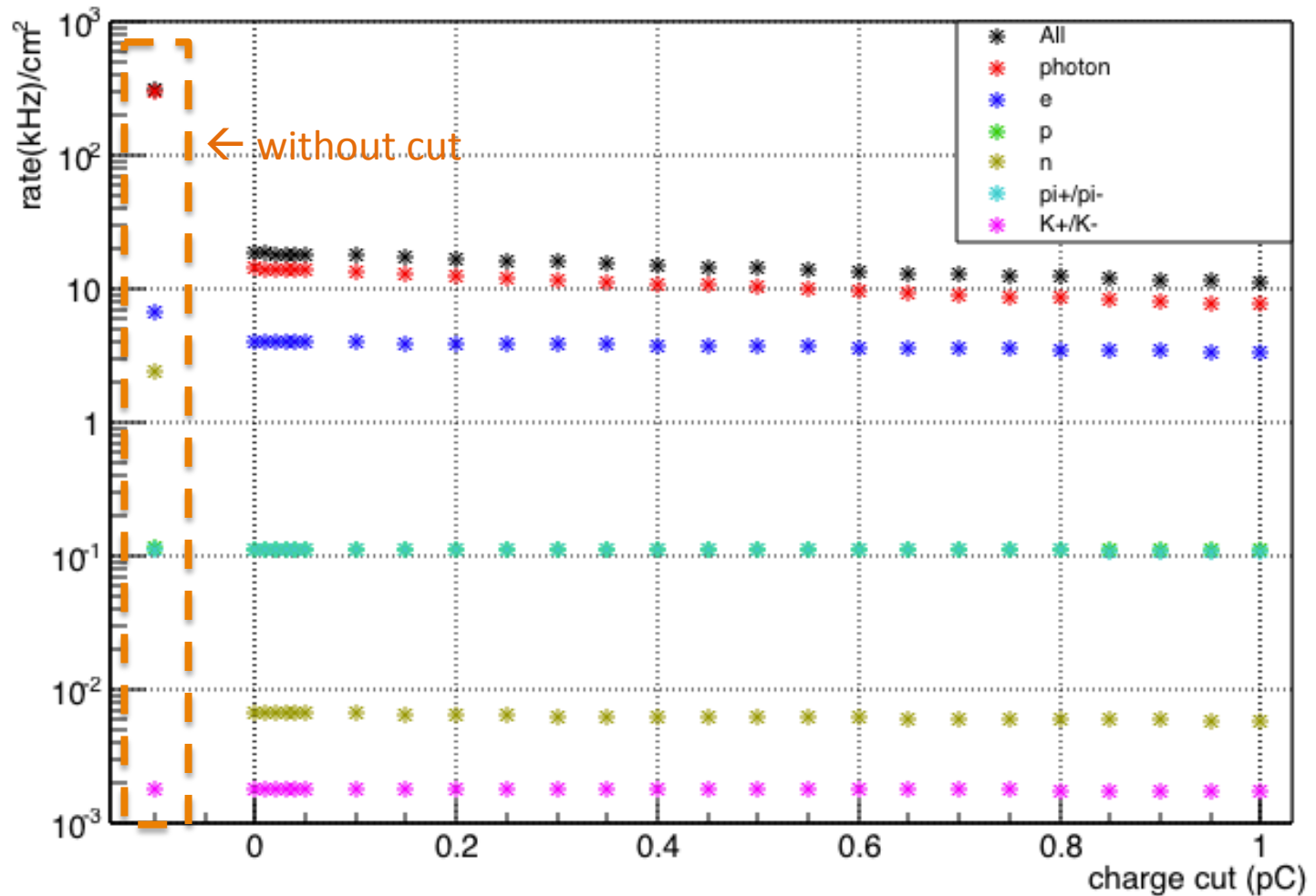
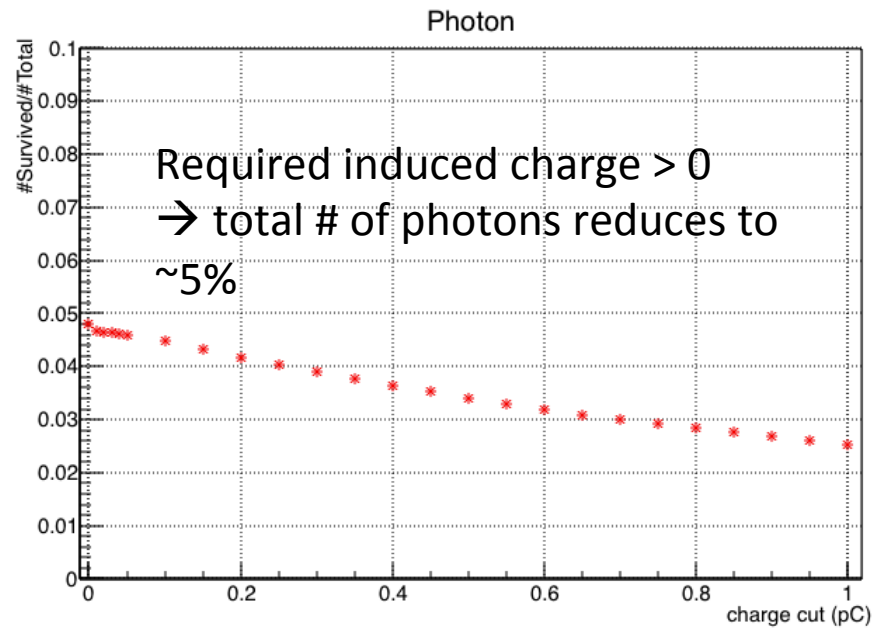
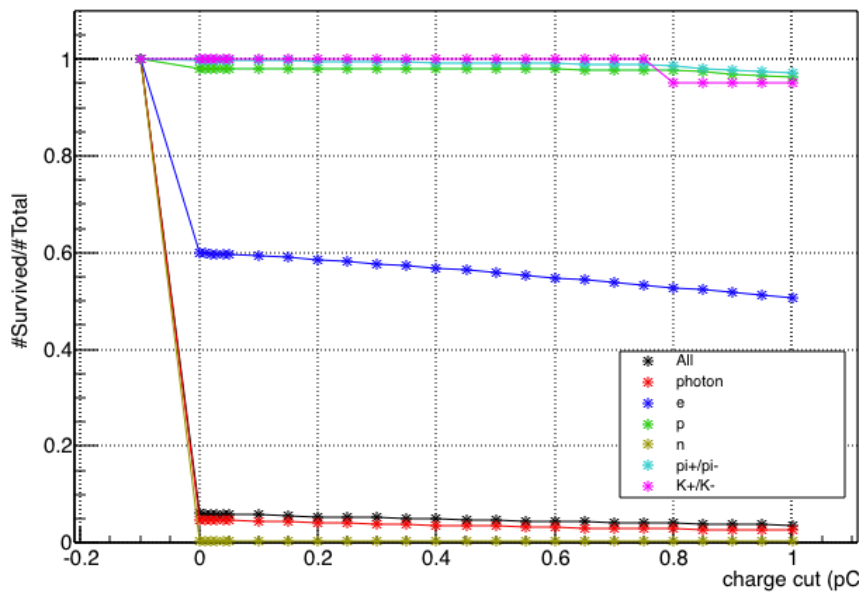


Rate Scan

Incident particle rate





- Total incident particle rate (all particles): 324 kHz/cm²
- Acceptance: R (96, 210) cm, full azimuthal coverage
- Rate (Hz/cm²):

Charge > Cut	Total	All	Photon	e	p	n	Charged pions	Charged kaons
nocut	3.24E+05	3.24E+05	3.13E+05	7.21E+03	1.24E+02	2.43E+03	1.27E+02	1.71E+00
0.00		1.96E+04	1.50E+04	4.33E+03	1.22E+02	6.99E+00	1.27E+02	1.71E+00
0.01		1.92E+04	1.46E+04	4.31E+03	1.22E+02	6.99E+00	1.27E+02	1.71E+00
0.02		1.92E+04	1.46E+04	4.31E+03	1.22E+02	6.99E+00	1.27E+02	1.71E+00
0.03		1.91E+04	1.45E+04	4.31E+03	1.22E+02	6.91E+00	1.27E+02	1.71E+00
0.04		1.90E+04	1.45E+04	4.30E+03	1.22E+02	6.91E+00	1.27E+02	1.71E+00
0.05		1.90E+04	1.44E+04	4.30E+03	1.22E+02	6.91E+00	1.27E+02	1.71E+00
0.10		1.86E+04	1.40E+04	4.28E+03	1.22E+02	6.91E+00	1.27E+02	1.71E+00
0.15		1.81E+04	1.36E+04	4.25E+03	1.22E+02	6.82E+00	1.27E+02	1.71E+00
0.20		1.76E+04	1.31E+04	4.22E+03	1.22E+02	6.74E+00	1.27E+02	1.71E+00
0.25		1.72E+04	1.27E+04	4.20E+03	1.22E+02	6.65E+00	1.27E+02	1.71E+00
0.30		1.67E+04	1.22E+04	4.16E+03	1.22E+02	6.48E+00	1.27E+02	1.71E+00
0.35		1.62E+04	1.18E+04	4.13E+03	1.22E+02	6.48E+00	1.27E+02	1.71E+00
0.40		1.58E+04	1.14E+04	4.10E+03	1.22E+02	6.48E+00	1.27E+02	1.71E+00
0.45		1.54E+04	1.10E+04	4.06E+03	1.22E+02	6.40E+00	1.27E+02	1.71E+00
0.50		1.50E+04	1.07E+04	4.03E+03	1.22E+02	6.40E+00	1.26E+02	1.71E+00
0.55		1.46E+04	1.03E+04	3.99E+03	1.22E+02	6.40E+00	1.26E+02	1.71E+00
0.60		1.42E+04	1.00E+04	3.95E+03	1.22E+02	6.40E+00	1.26E+02	1.71E+00
0.65		1.39E+04	9.70E+03	3.91E+03	1.21E+02	6.31E+00	1.26E+02	1.71E+00
0.70		1.36E+04	9.40E+03	3.88E+03	1.21E+02	6.31E+00	1.26E+02	1.71E+00
0.75		1.32E+04	9.13E+03	3.84E+03	1.21E+02	6.23E+00	1.26E+02	1.71E+00
0.80		1.30E+04	8.88E+03	3.80E+03	1.21E+02	6.23E+00	1.26E+02	1.62E+00
0.85		1.27E+04	8.64E+03	3.77E+03	1.21E+02	6.23E+00	1.25E+02	1.62E+00
0.90		1.24E+04	8.40E+03	3.73E+03	1.20E+02	6.23E+00	1.25E+02	1.62E+00
0.95		1.21E+04	8.17E+03	3.69E+03	1.20E+02	6.14E+00	1.24E+02	1.62E+00
1.00		1.19E+04	7.95E+03	3.65E+03	1.20E+02	6.14E+00	1.24E+02	1.62E+00

- Total incident particle rate (all particles): 309 kHz/cm²
- Acceptance: R (105, 210) cm, full azimuthal coverage
- Rate (Hz/cm²):

Charge > Cut	Total	All	Photon	e	p	n	Charged pions	Charged kaons
nocut	3.09E+05	3.09E+05	2.99E+05	6.72E+03	1.14E+02	2.39E+03	1.11E+02	1.80E+00
0		1.86E+04	1.43E+04	3.97E+03	1.12E+02	6.75E+00	1.11E+02	1.80E+00
0.01		1.81E+04	1.39E+04	3.95E+03	1.12E+02	6.75E+00	1.11E+02	1.80E+00
0.02		1.81E+04	1.39E+04	3.95E+03	1.12E+02	6.75E+00	1.11E+02	1.80E+00
0.03		1.80E+04	1.38E+04	3.95E+03	1.12E+02	6.66E+00	1.11E+02	1.80E+00
0.04		1.80E+04	1.38E+04	3.95E+03	1.12E+02	6.66E+00	1.11E+02	1.80E+00
0.05		1.79E+04	1.37E+04	3.94E+03	1.12E+02	6.66E+00	1.11E+02	1.80E+00
0.1		1.76E+04	1.34E+04	3.92E+03	1.12E+02	6.66E+00	1.11E+02	1.80E+00
0.15		1.71E+04	1.30E+04	3.90E+03	1.12E+02	6.57E+00	1.11E+02	1.80E+00
0.2		1.66E+04	1.25E+04	3.87E+03	1.12E+02	6.48E+00	1.11E+02	1.80E+00
0.25		1.62E+04	1.21E+04	3.84E+03	1.12E+02	6.39E+00	1.11E+02	1.80E+00
0.3		1.57E+04	1.17E+04	3.81E+03	1.12E+02	6.21E+00	1.11E+02	1.80E+00
0.35		1.53E+04	1.13E+04	3.78E+03	1.12E+02	6.21E+00	1.11E+02	1.80E+00
0.4		1.49E+04	1.09E+04	3.75E+03	1.12E+02	6.21E+00	1.11E+02	1.80E+00
0.45		1.45E+04	1.05E+04	3.72E+03	1.12E+02	6.12E+00	1.11E+02	1.80E+00
0.5		1.41E+04	1.02E+04	3.69E+03	1.12E+02	6.12E+00	1.10E+02	1.80E+00
0.55		1.37E+04	9.84E+03	3.65E+03	1.12E+02	6.12E+00	1.10E+02	1.80E+00
0.6		1.34E+04	9.53E+03	3.61E+03	1.12E+02	6.12E+00	1.10E+02	1.80E+00
0.65		1.31E+04	9.23E+03	3.58E+03	1.11E+02	6.03E+00	1.10E+02	1.80E+00
0.7		1.27E+04	8.95E+03	3.55E+03	1.11E+02	6.03E+00	1.10E+02	1.80E+00
0.75		1.24E+04	8.69E+03	3.51E+03	1.11E+02	5.94E+00	1.10E+02	1.80E+00
0.8		1.22E+04	8.45E+03	3.47E+03	1.11E+02	5.94E+00	1.10E+02	1.71E+00
0.85		1.19E+04	8.22E+03	3.44E+03	1.11E+02	5.94E+00	1.09E+02	1.71E+00
0.9		1.16E+04	7.99E+03	3.40E+03	1.10E+02	5.94E+00	1.09E+02	1.71E+00
0.95		1.14E+04	7.77E+03	3.37E+03	1.10E+02	5.85E+00	1.08E+02	1.71E+00
1		1.11E+04	7.56E+03	3.33E+03	1.10E+02	5.85E+00	1.08E+02	1.71E+00

Total rate

- All particles:

Acceptance	kHz/cm ²	Rate (charge > 0.5 pC) kHz/cm ²
R (96, 210) cm	324	15.0
R (105, 210) cm	309	14.1

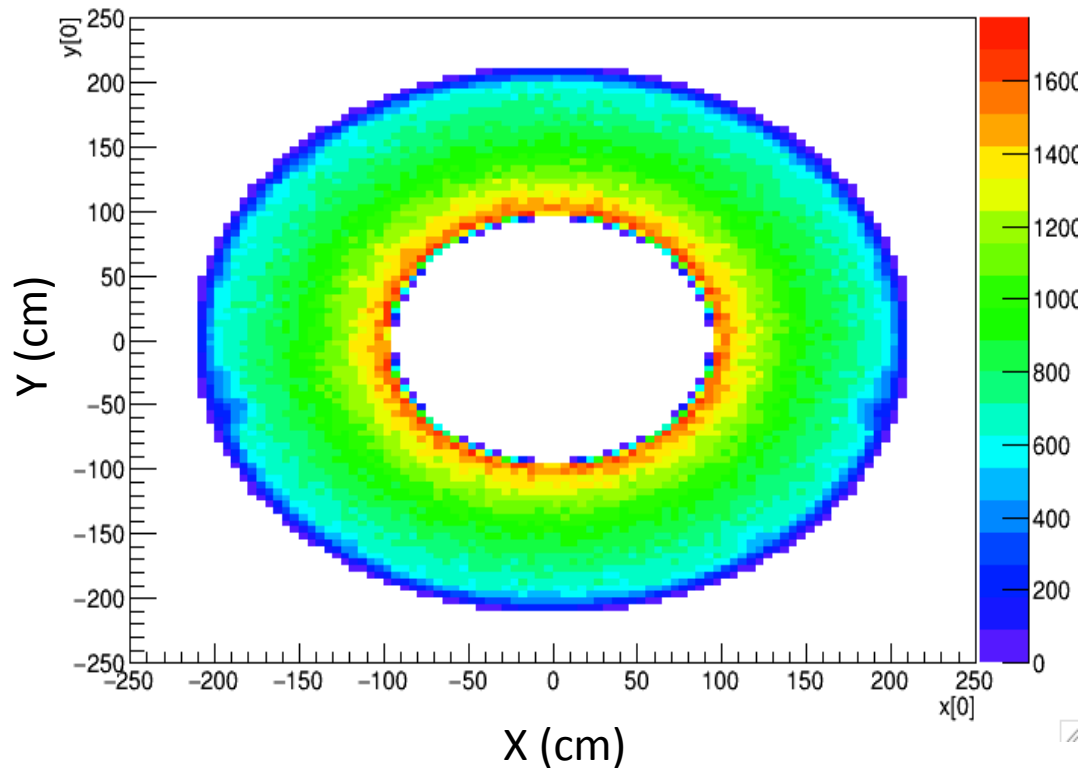
- photon:

Acceptance	kHz/cm ²	Rate (charge > 0.5 pC) kHz/cm ²
R (96, 210) cm	313	10.7
R (105, 210) cm	299	10.2

- e:

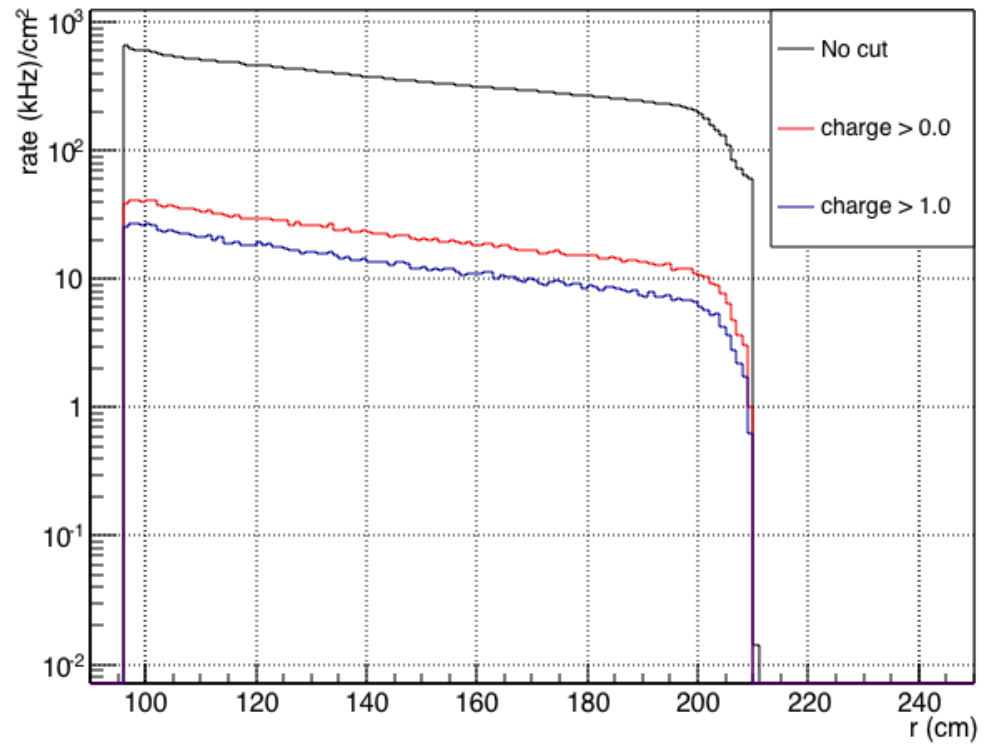
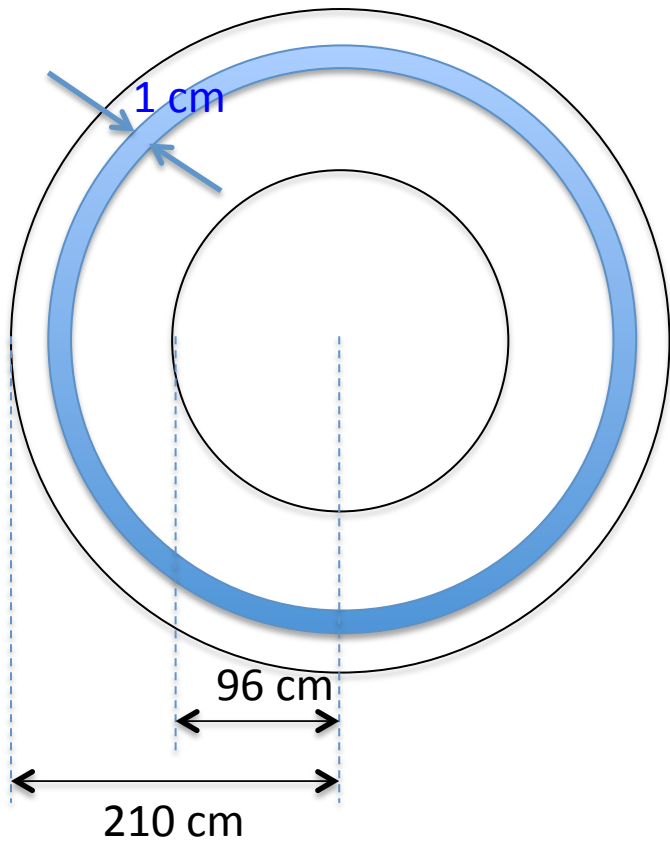
Acceptance	kHz/cm ²	Rate (charge > 0.5 pC) kHz/cm ²
R (96, 210) cm	7.21	4.03
R (105, 210) cm	6.72	3.69

X-Y distribution at the virtual front plane (incident particle)



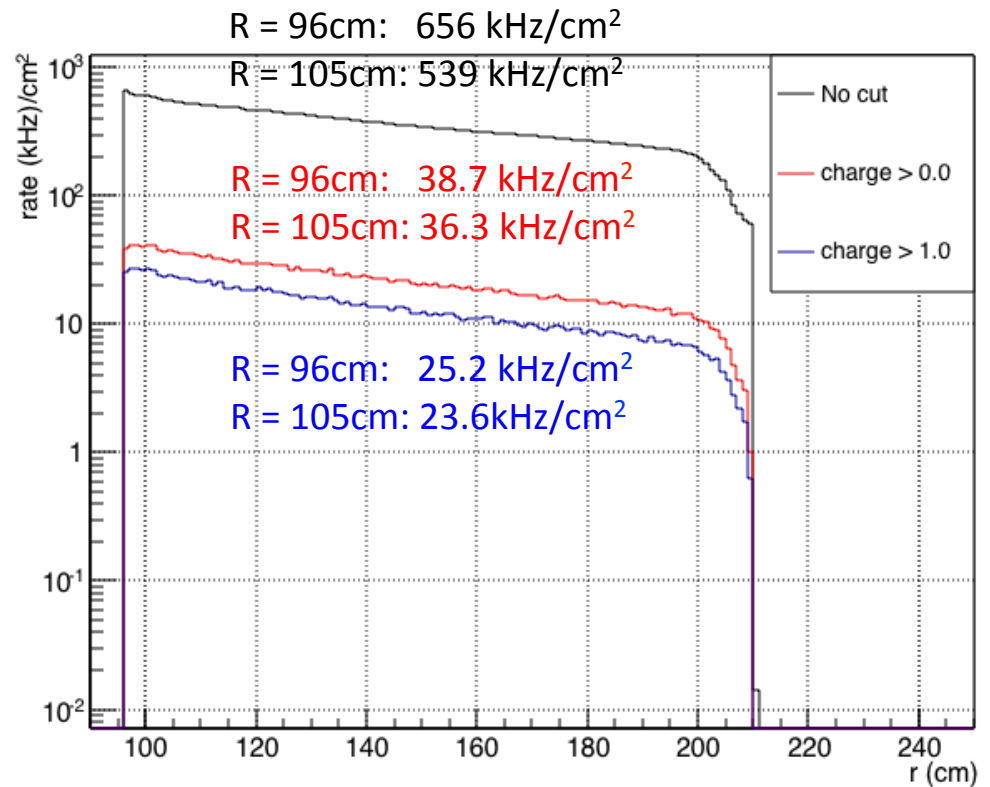
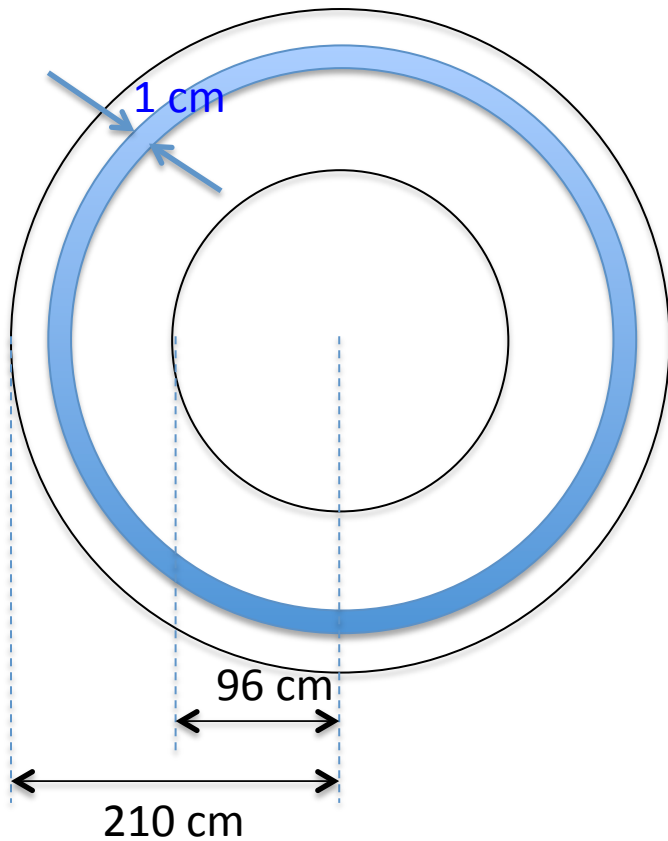
Rate vs radial position

Normalized by corresponding area for each radius



Rate vs radial position

Normalized by corresponding area for each radius

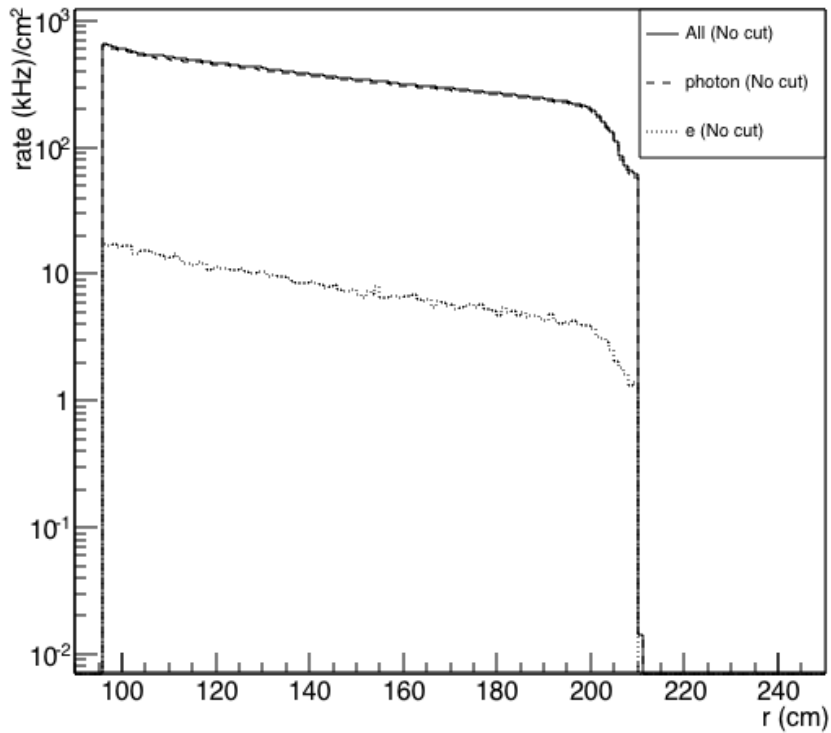


Rate (kHz)/cm²

Charge > cut	Rate (kHz)/cm ²	
	R = 96 cm	R = 105 cm
No cut	656	539
Charge > 0.00	38.7	36.3
Charge > 0.10	37.1	34.8
Charge > 0.20	35.6	33.0
Charge > 0.30	33.8	31.5
Charge > 0.40	32.3	30.1
Charge > 0.50	31.0	28.4
Charge > 0.60	29.6	27.5
Charge > 0.70	28.1	26.4
Charge > 0.80	27.0	25.6
Charge > 0.90	26.1	24.7
Charge > 1.00	25.2	23.6

Rate vs radial position (all, γ , e)

No cut



Induced charge > 0.0

