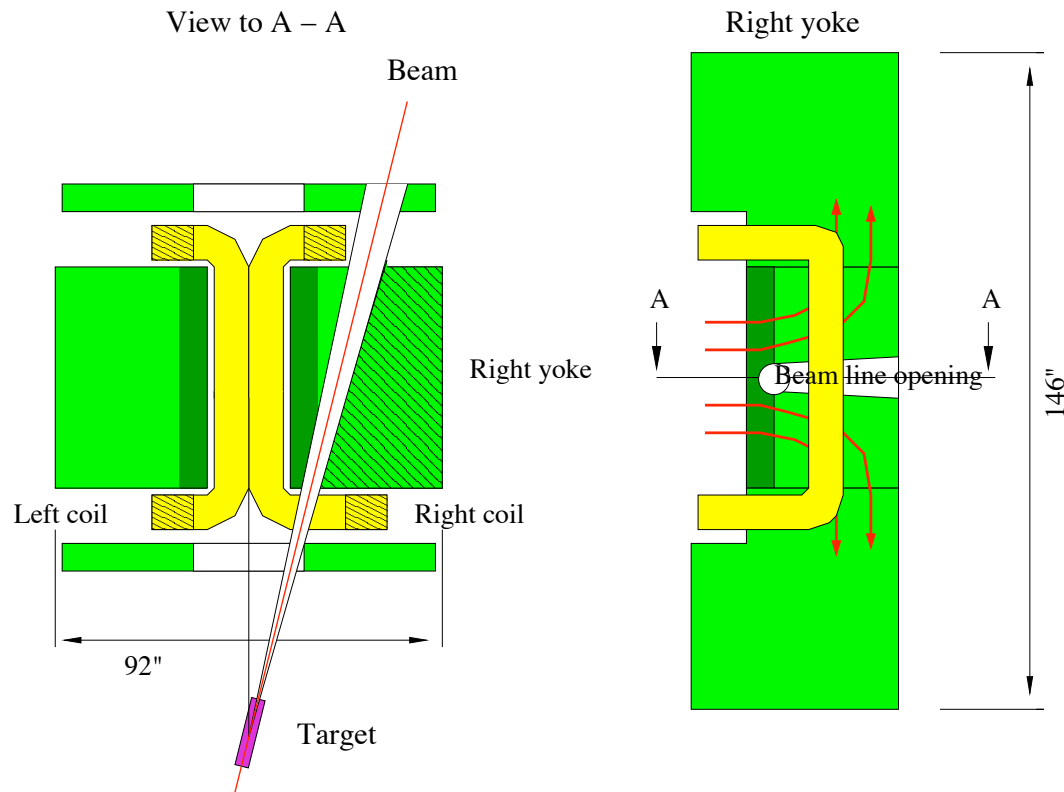
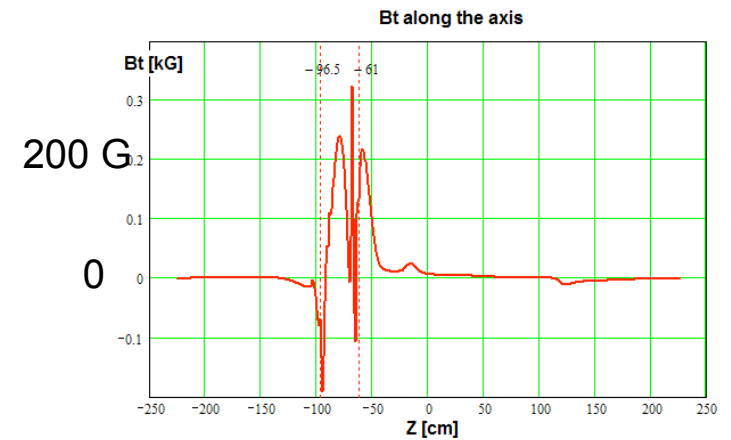


# Magnet conceptual design

B.Wojtsekhowski

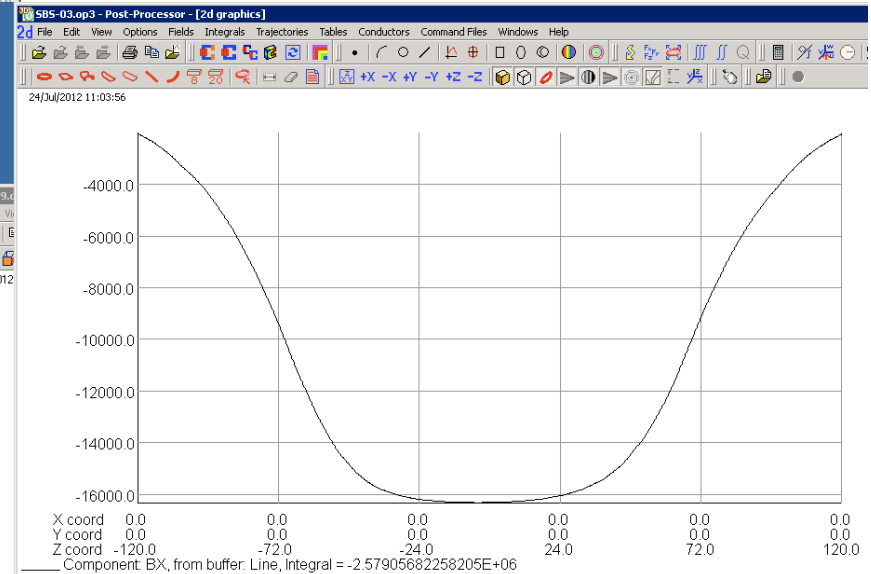
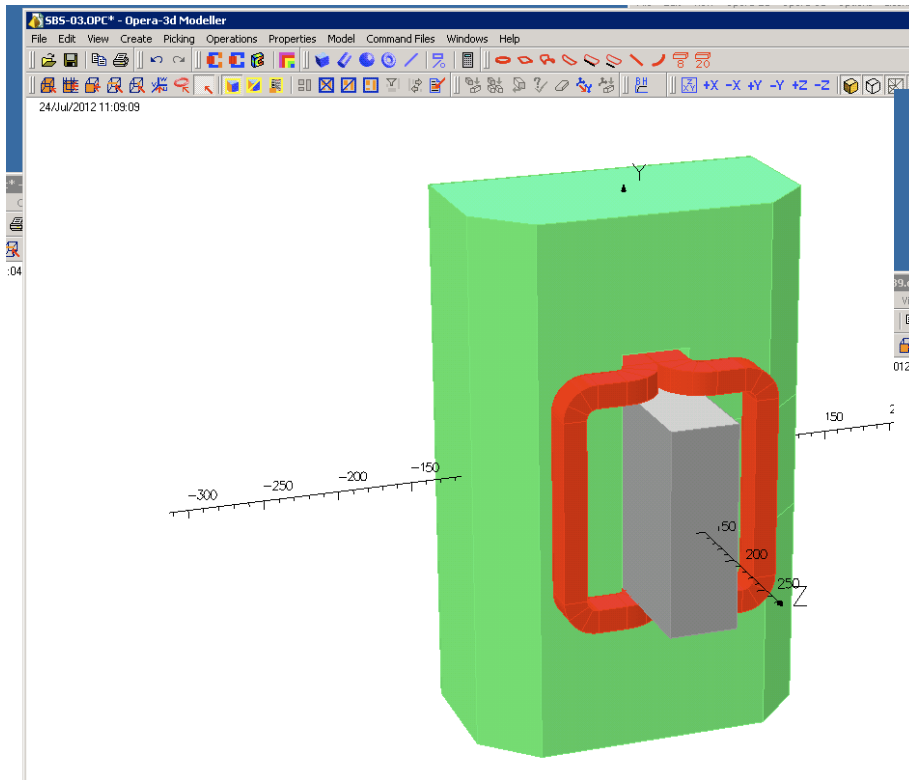


## Field on beam line

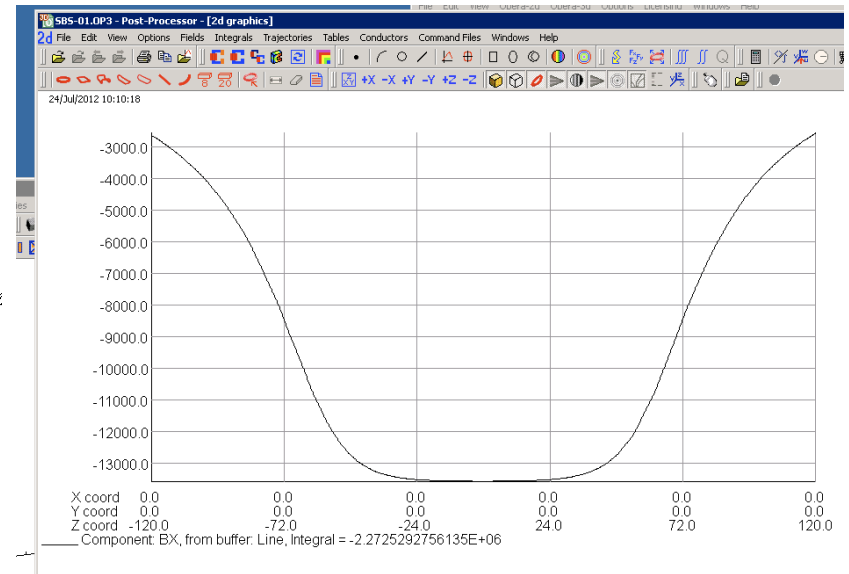
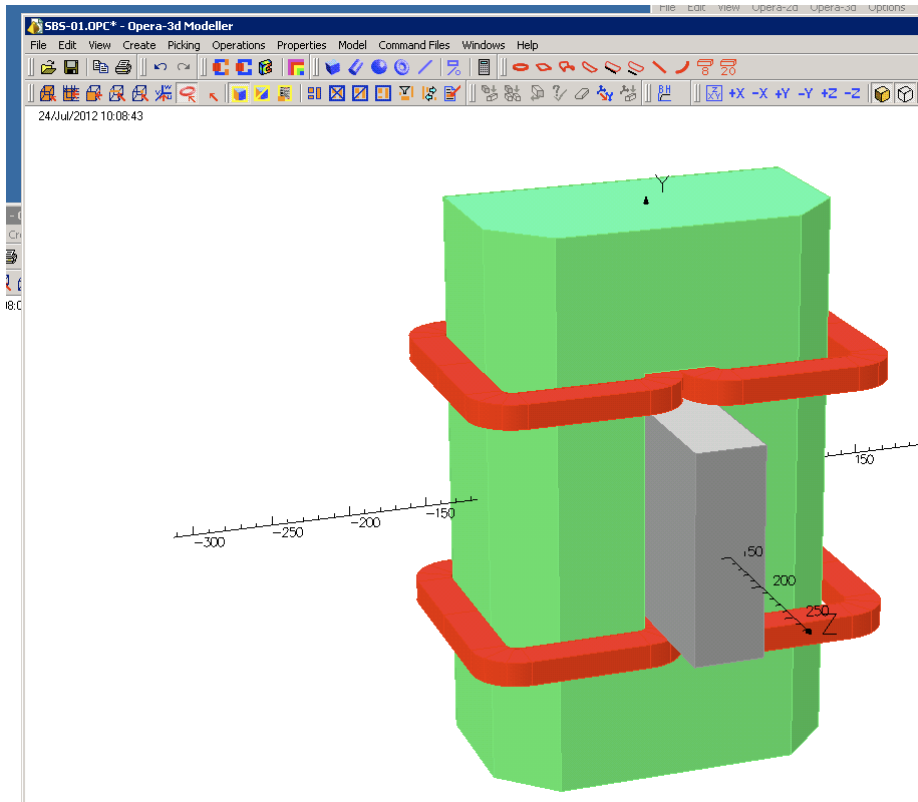


~ 100 G x 50 cm

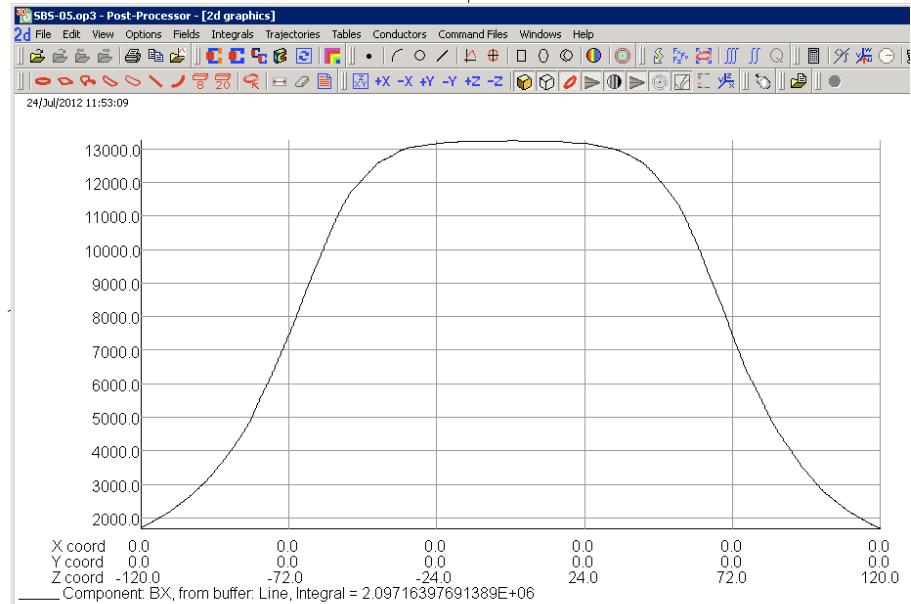
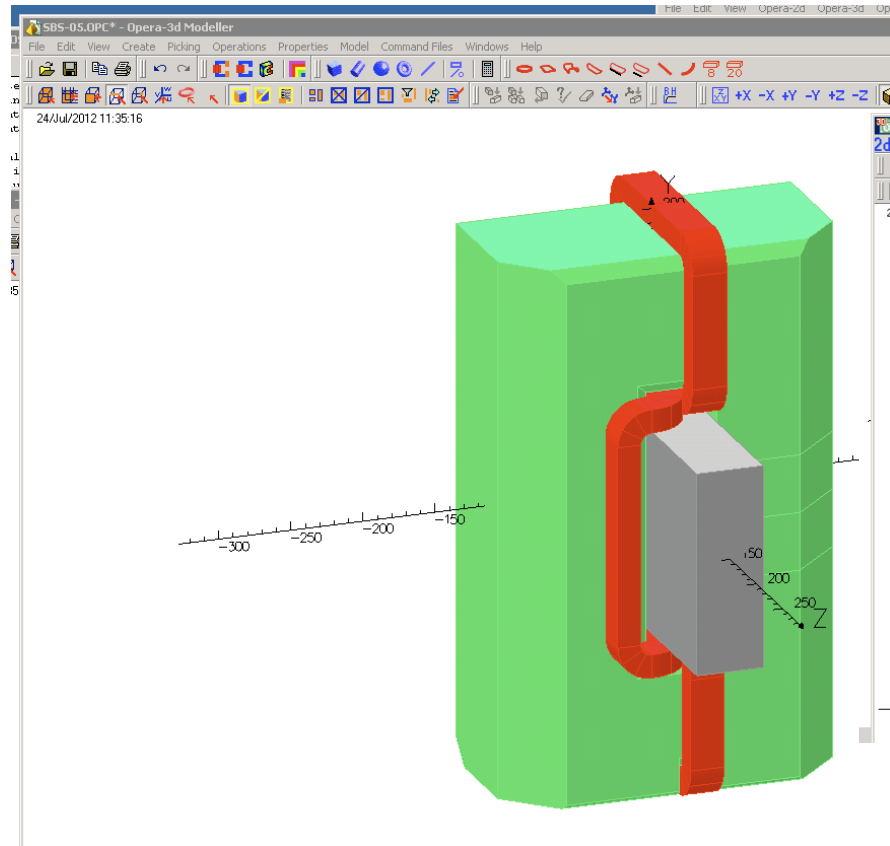
# Magnet and coils



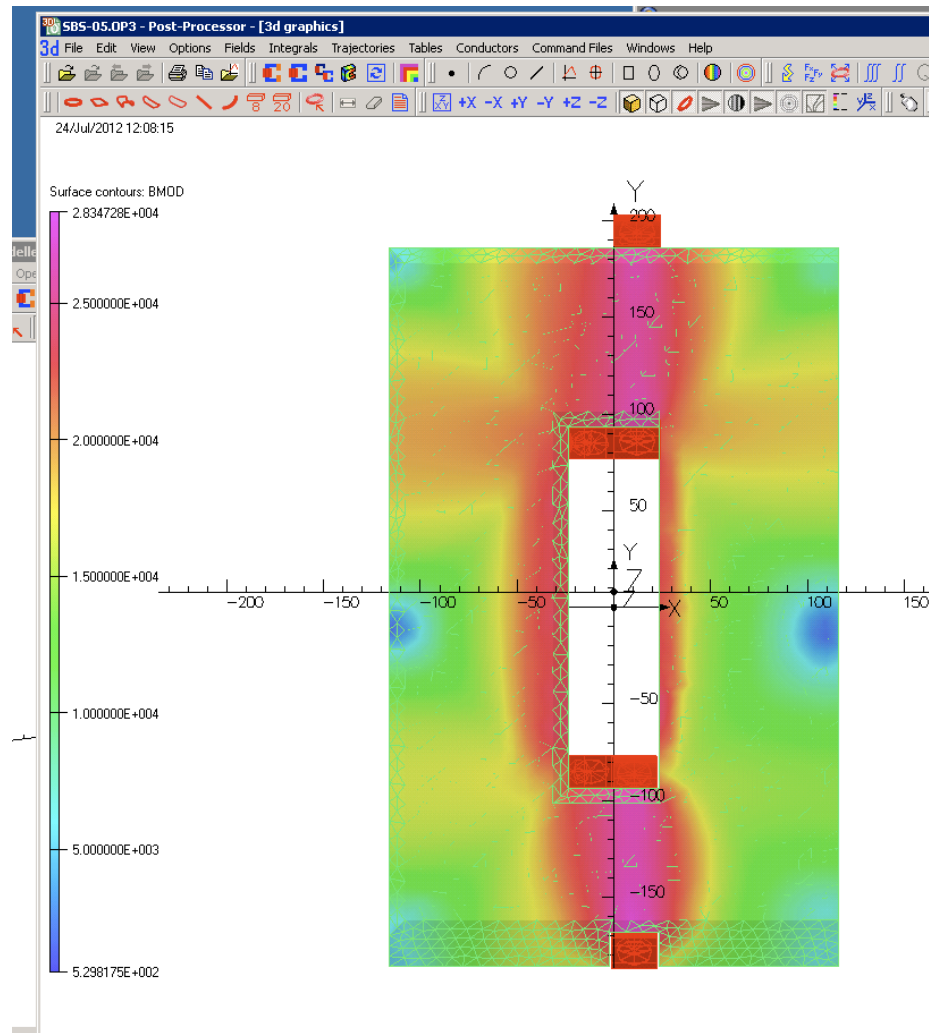
# Magnet and coils



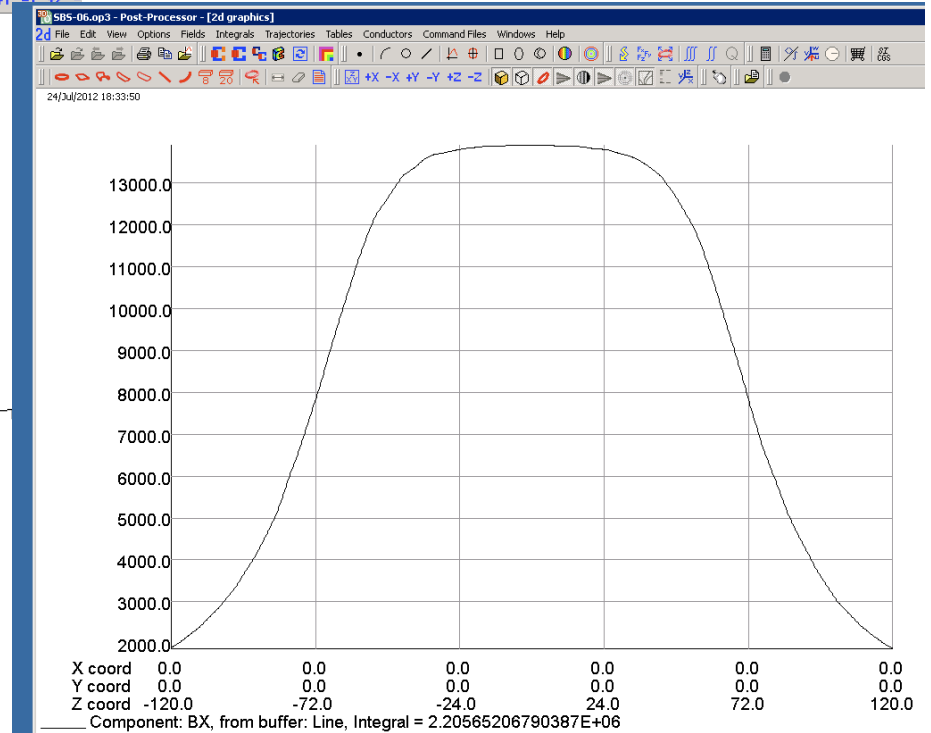
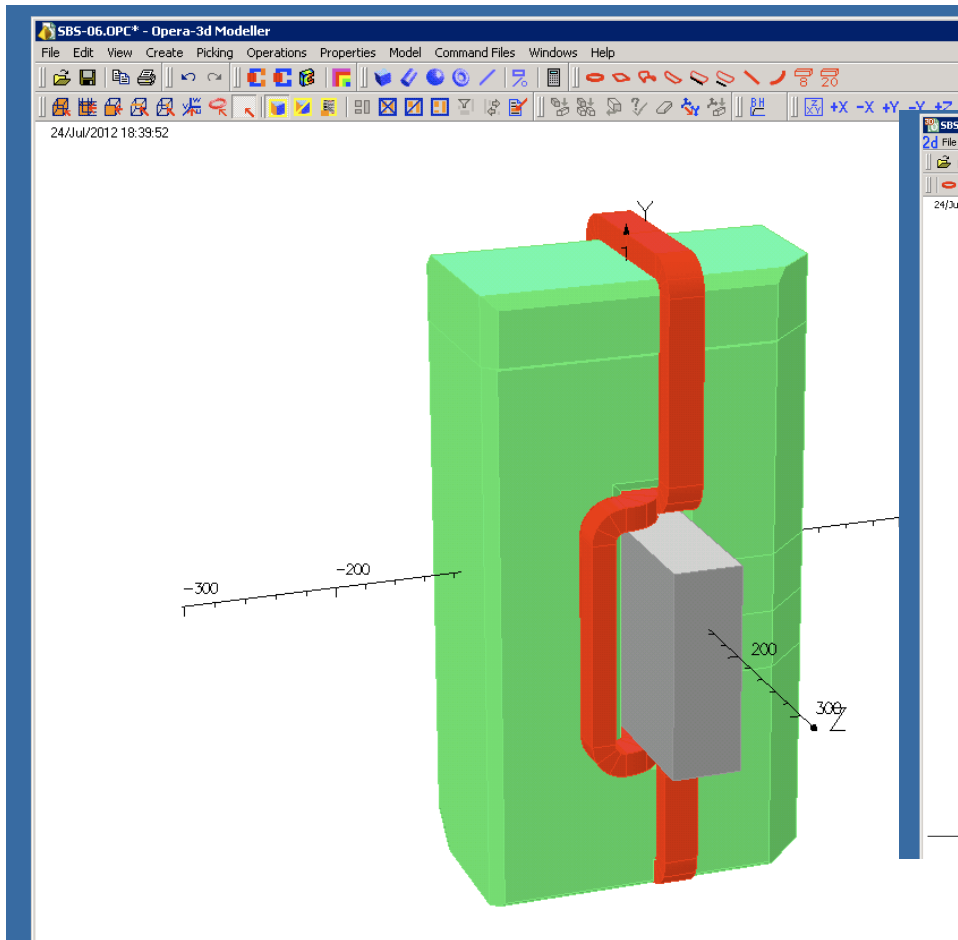
# Magnet and coils



# Magnet and coils



# Magnet and coils



# Magnet and coils

