

SBS DAQ Update

Alexandre Camsonne

April 22nd 2015

HCAL

- Hardware received
 - 11 FADC
 - 2 Intel CPU
- Ordered
 - 7 ADC remaining
 - 2 VXS crate 8 GBps
 - 2 Concurrent CPU

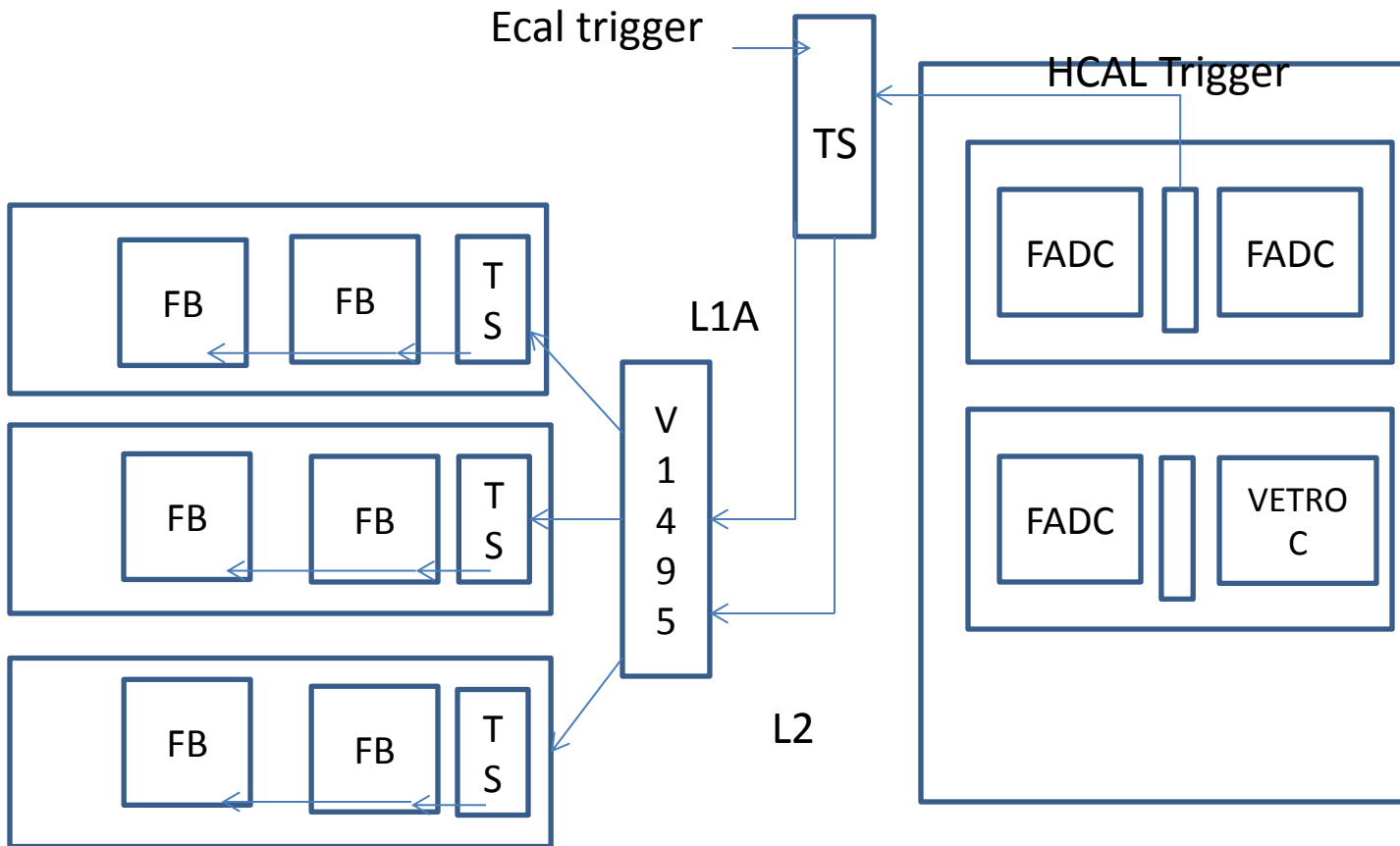
HCAL plan

- Go through NINO
- Readout both FADC and VETROC (3 boards)
- Will borrow CTP
- Can start testing clustering with FADC
- Will time share FADC with APEX SciFi readout in Test Lab
- CMU student ?

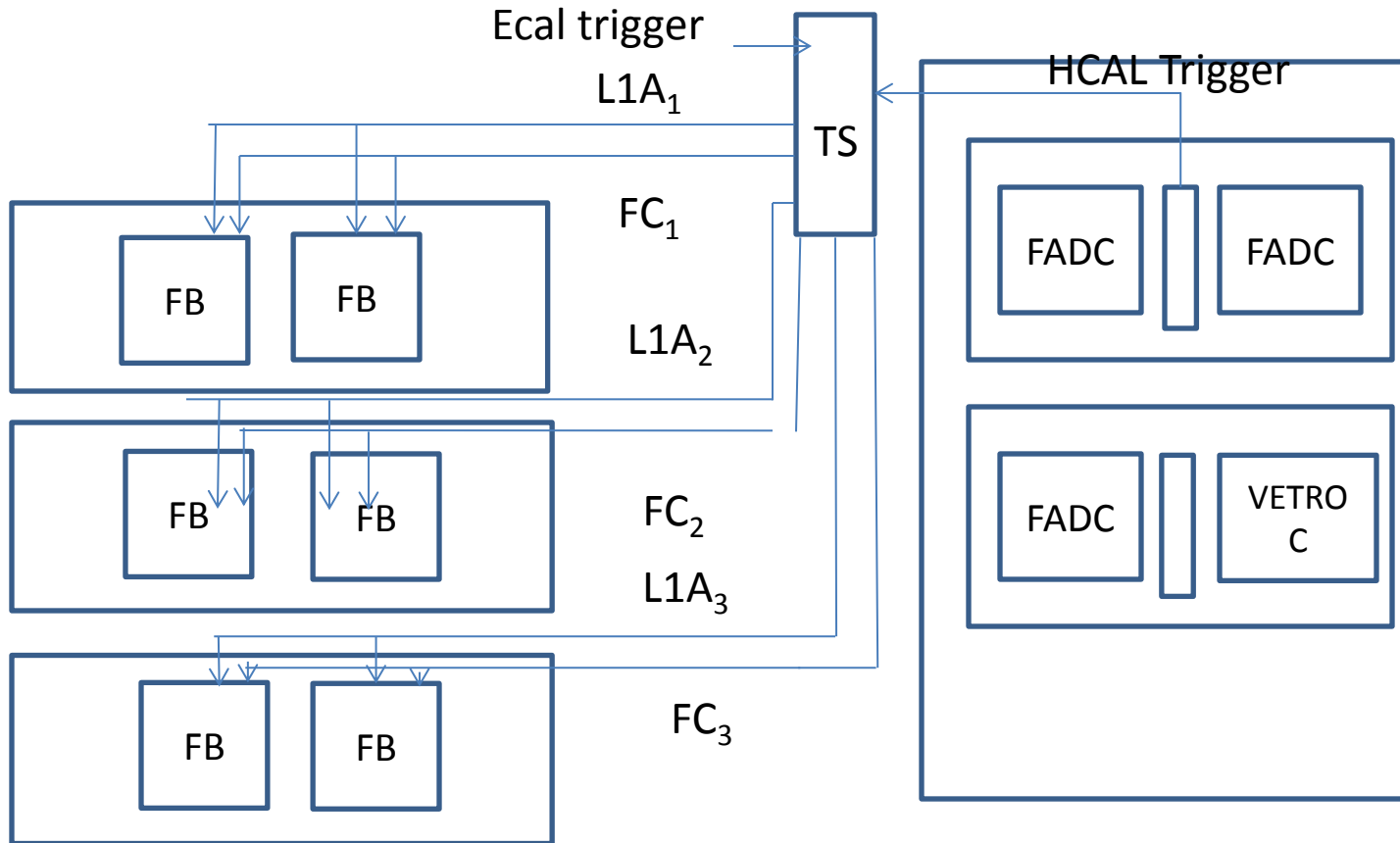
Fastbus

- Bigbite crates
 - 2 working
 - 1 repaired
- TDC being tested
- Will use setup to test Level translator
- Still need to test crate flipping

Fastbus



Fastbus



GRINCH

- Start testing VETROC option
- Ask to Ben Raydo for the Hall A VETROC
- Will test in HCAL setup

- Meeting with Todd, Carlos and Student

GEM / MPD

- Nilanga's VXS crate setup
- Intel CPU (CNU)
- MPD running with Italian software
- Being actively used for noise issue investigation
- MPD library for CODA, almost complete just need implementation and test of libconfig

GEM in HRS during APEX

- High rate in HRS
- VDC availability
- Good opportunity to test MPD with CODA if APEX runs earlier than Tritium
- Could benefit APEX (higher trigger rates)
- Need hardware to put chamber in HRS (maybe replace FPP)