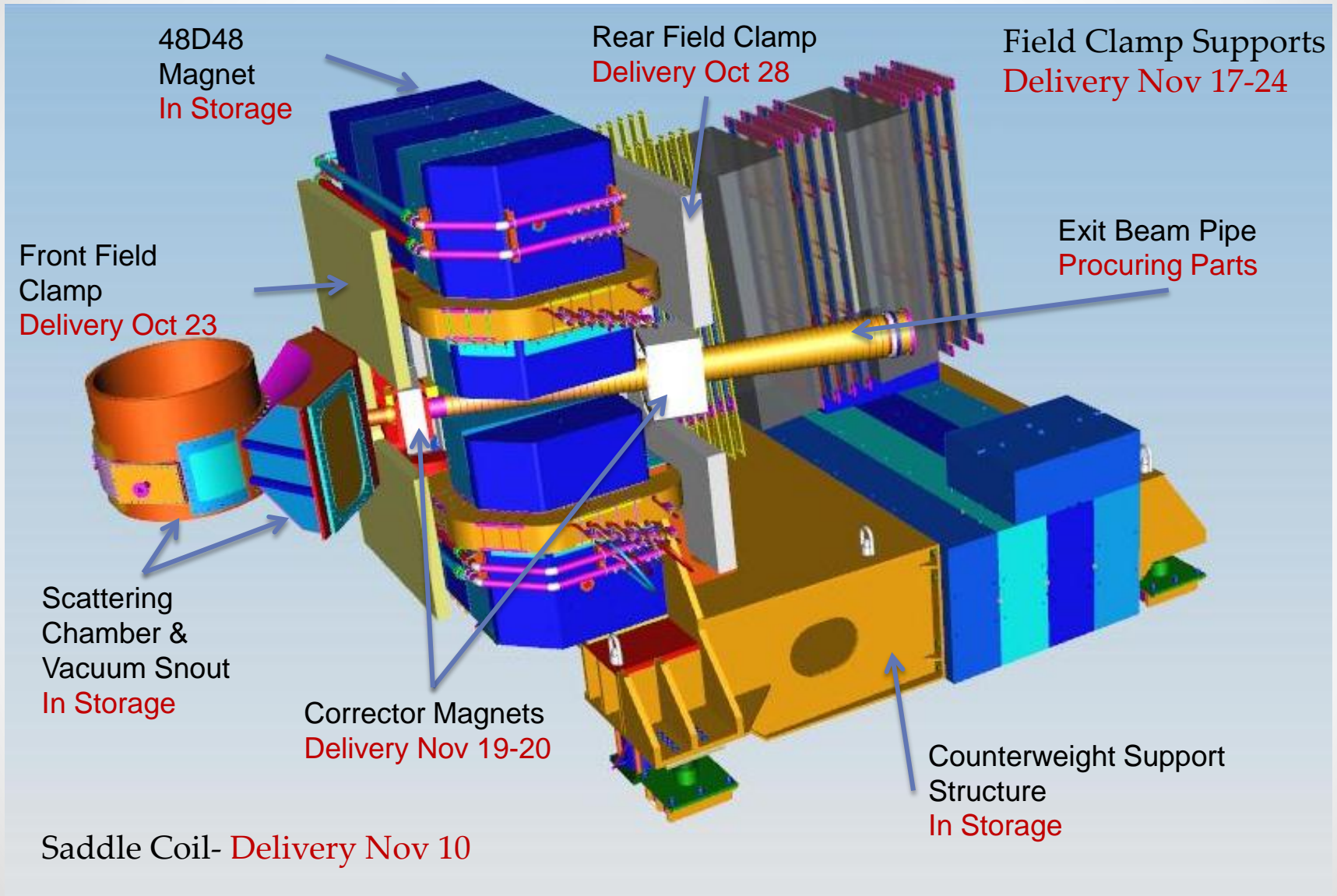


SBS Magnet and Infrastructure Status

Robin Wines
October 14, 2015

SBS



SBS Magnet and Supports

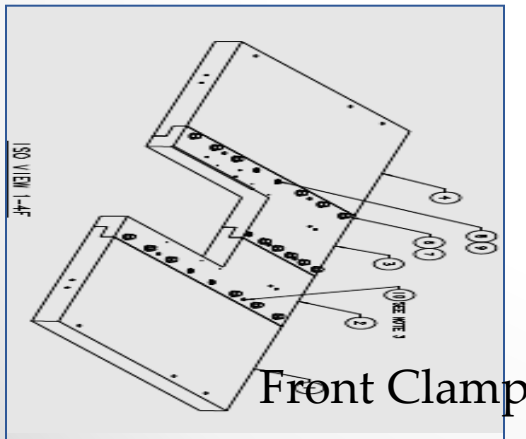
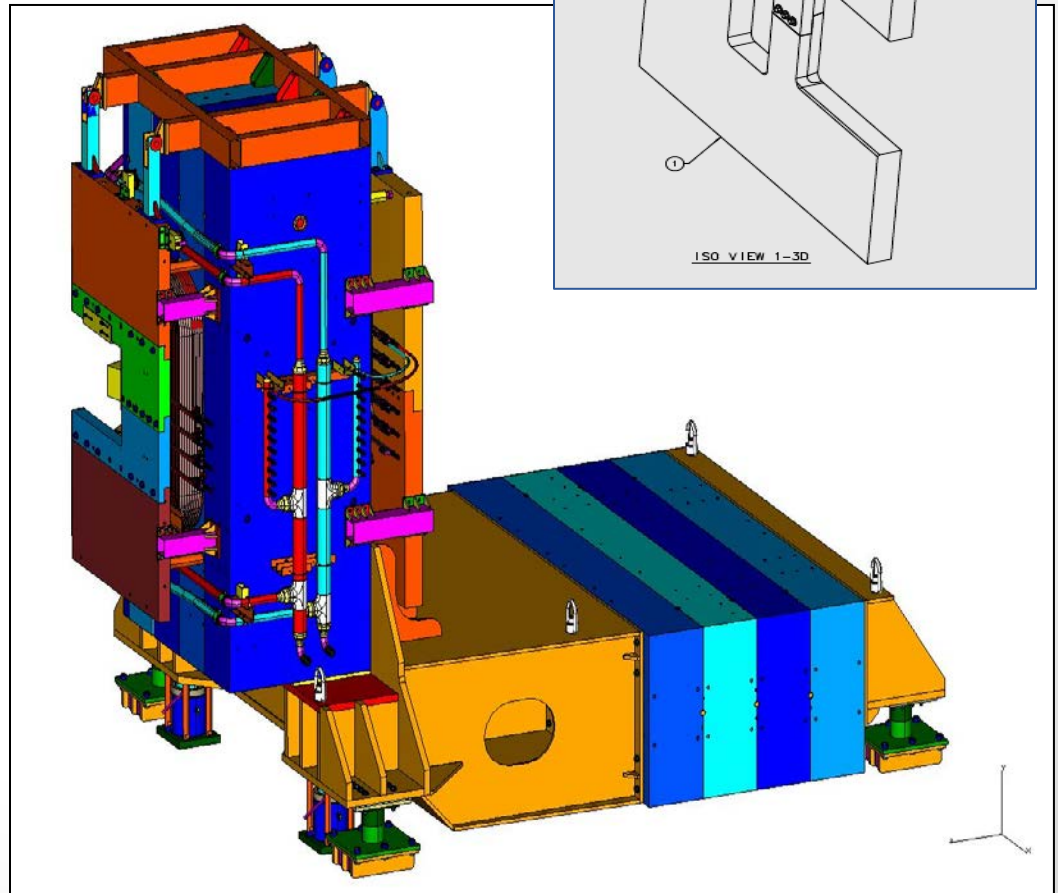
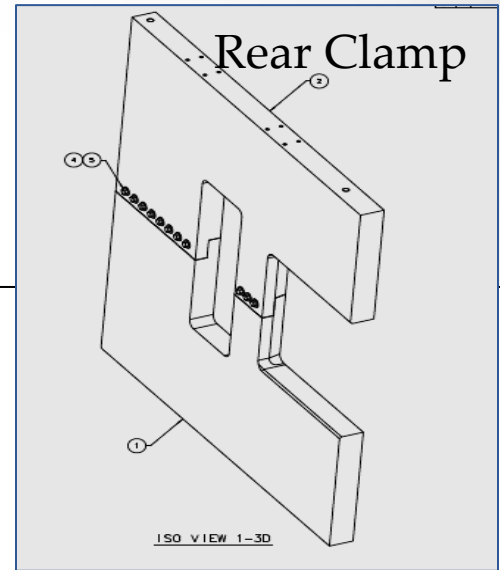
- Yoke parts and racetrack coils in storage
- New Saddle Coil to arrive at Jlab by Nov 10th
- Magnet Manifold parts by Dec 18th
- Floor Plates delivery Dec 9th
- Parts for lift and motion of support/magnet ordered and due by Dec 14th
- Counterweight Blocks and Support Weldment in storage, scheduling trial assembly and test in Testlab for Jan-Mar 2016



Counterweight Weldment

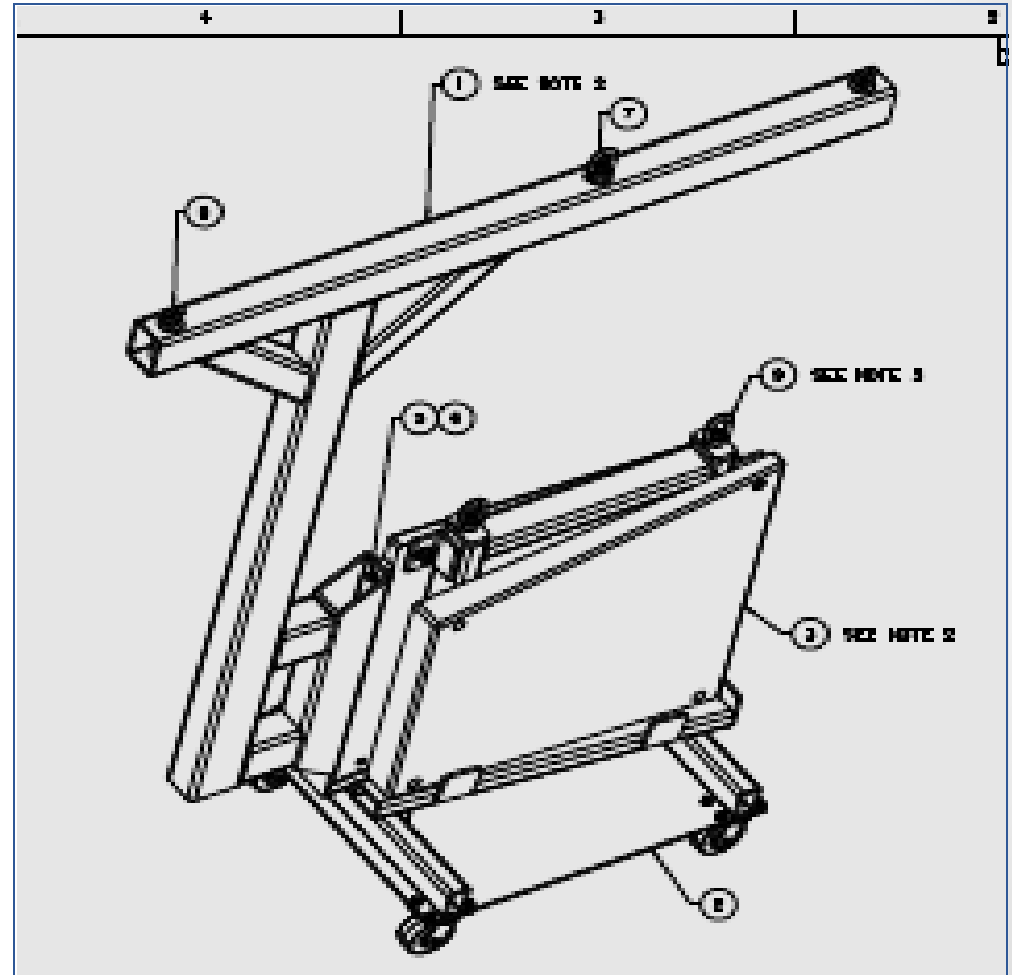
Field Clamps

- Front Clamp – delivery Oct 23, fabrication from existing Jlab plates, 4 pieces bolted together
- Rear Clamp – delivery Oct 28, fabrication from BNL provided plate, assemble in 2 pieces
- Field Clamp Supports – reusing BNL stand-off cylinders, need additional supports from top and side, delivery Nov 17-24



Pole Shims

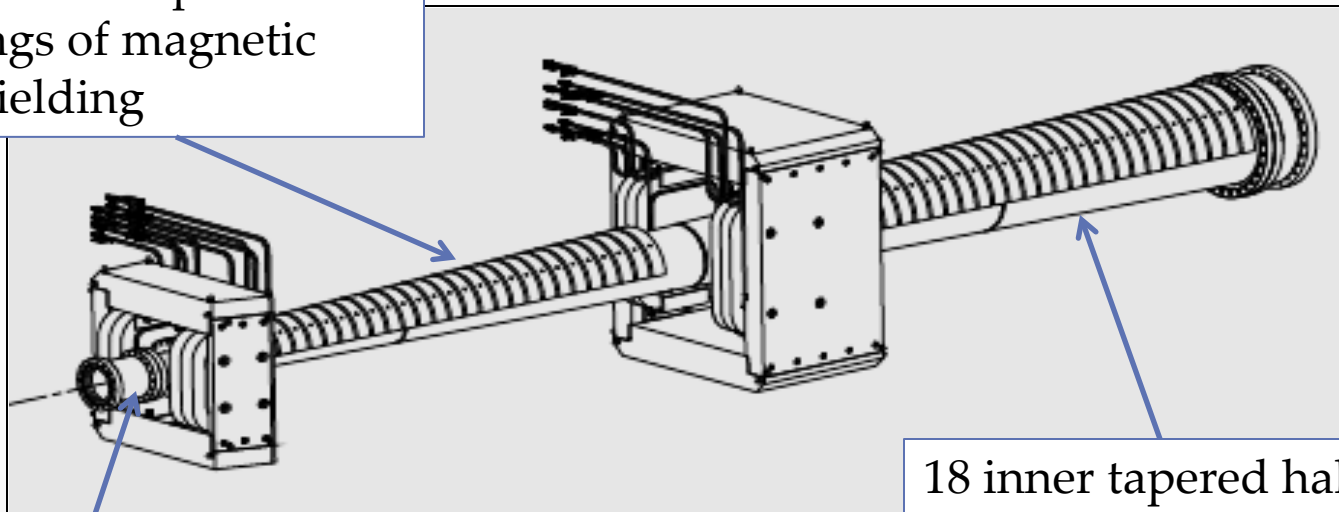
- Pole shims are required in GEp configurations to increase field integral
- Design of shims is complete .Delivery scheduled for November 9
- Installation device required to insert into Magnet gap
- Design of device is complete. Delivery Nov 24



Shielded Beampipe

- Configurations of shielded beam pipe have been determined and analyzed. Drawings complete. No bids on full assembly. Plan to fabricate pipe and spool pieces in-house and purchase shielding pieces. Bids on pieces due Oct 16.
- Assembly mechanism determined, support mechanism designed

68 outer tapered half rings of magnetic shielding



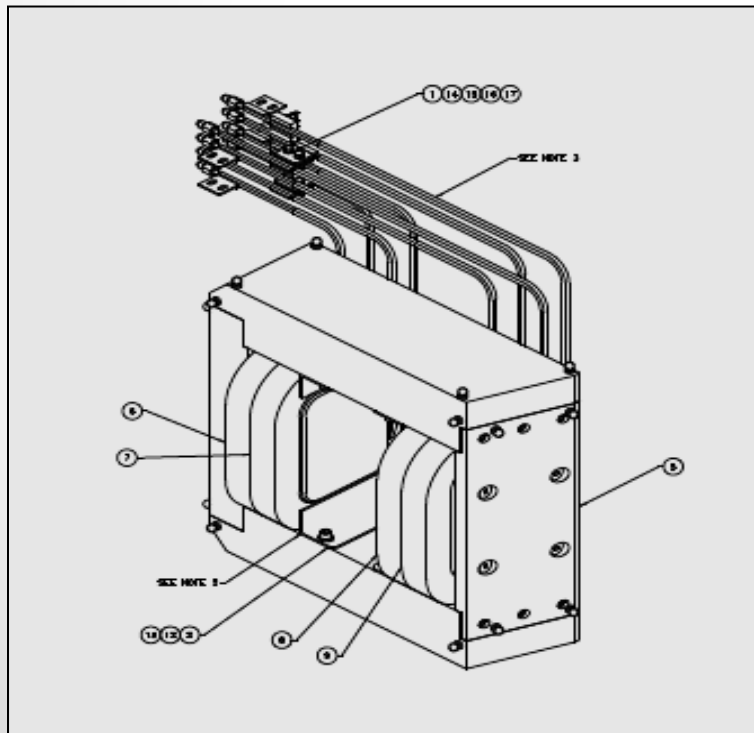
Tapered welded vacuum pipe flange connections

18 inner tapered half sections of magnetic shielding

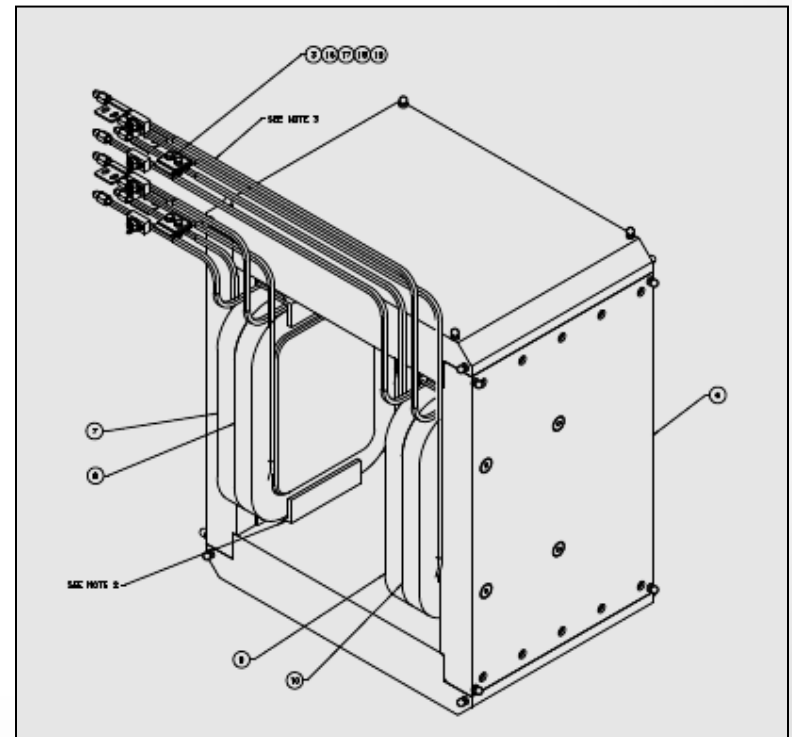
Corrector Magnets

- Corrector magnets are being fabricated at 2 vendors, delivery Nov 19-20
- Each corrector utilizes two power supplies to allow variation in current settings in coil as needed. Will use existing power supplies, received from Accelerator.

Upstream

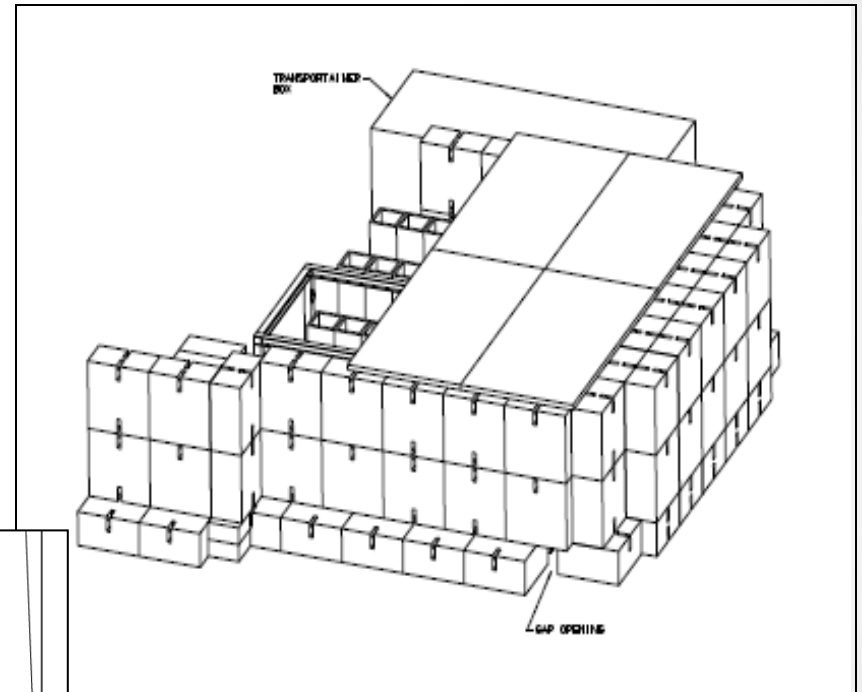
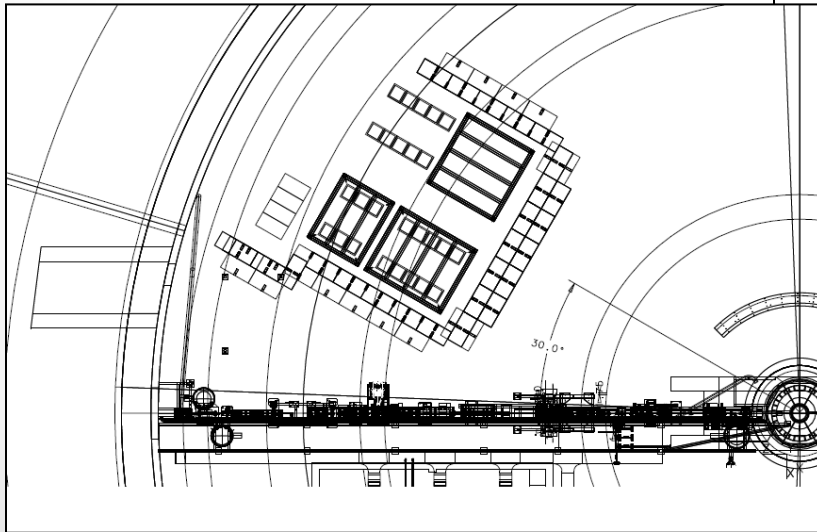


Downstream



Electronics Hut

- Location and shielding requirements are defined.
- Roof and support frame drawings ready for procurement.



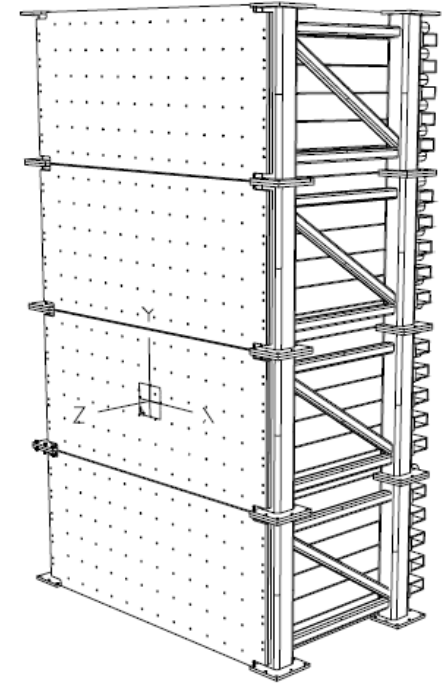
Detector Supports

HCAL

- Submodule support weldment to be delivered Mar 1
- Module front plates to be delivered Jan 7
- FEA analysis complete on frame and support
- In process of designing main support

GEM

- Frame and mounts complete for BB.
Ready to procure



Items to complete

- **Shielding pieces for beam pipe – bids due Oct 16, then coordinate in-house efforts for fabrication**
- **Window material here, setup testing in November**
- **Water manifold parts ordered by December**
- **Beamline supports designed and procured by January**
- **Detector frames and supports designed and procured by January**
- **Sieve plate and pulley ordered, delivery Nov 2. Sieve plate machining postponed to later FY because of cost.**
- **Electronics Hut layout complete, support frame ready for procurement.**