

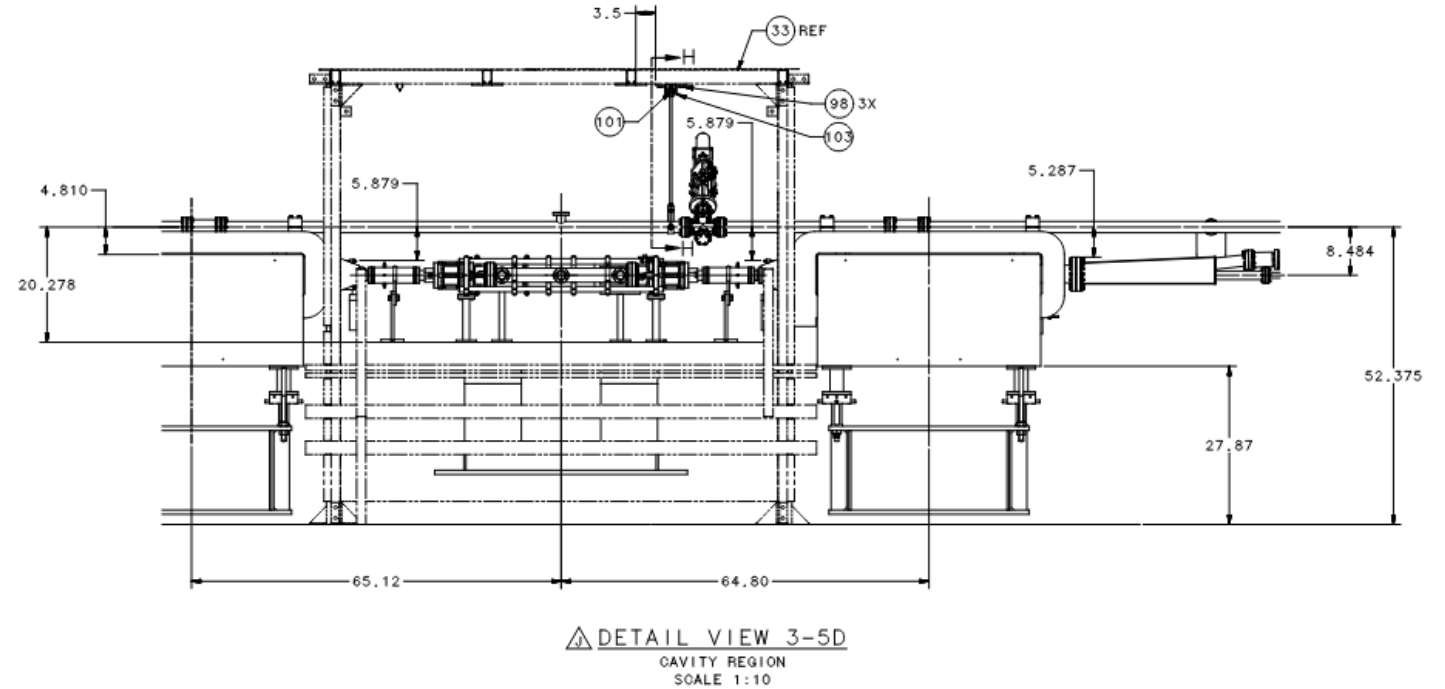
Beamline preparations

Ciprian Gal

backup Jiwan Poudel



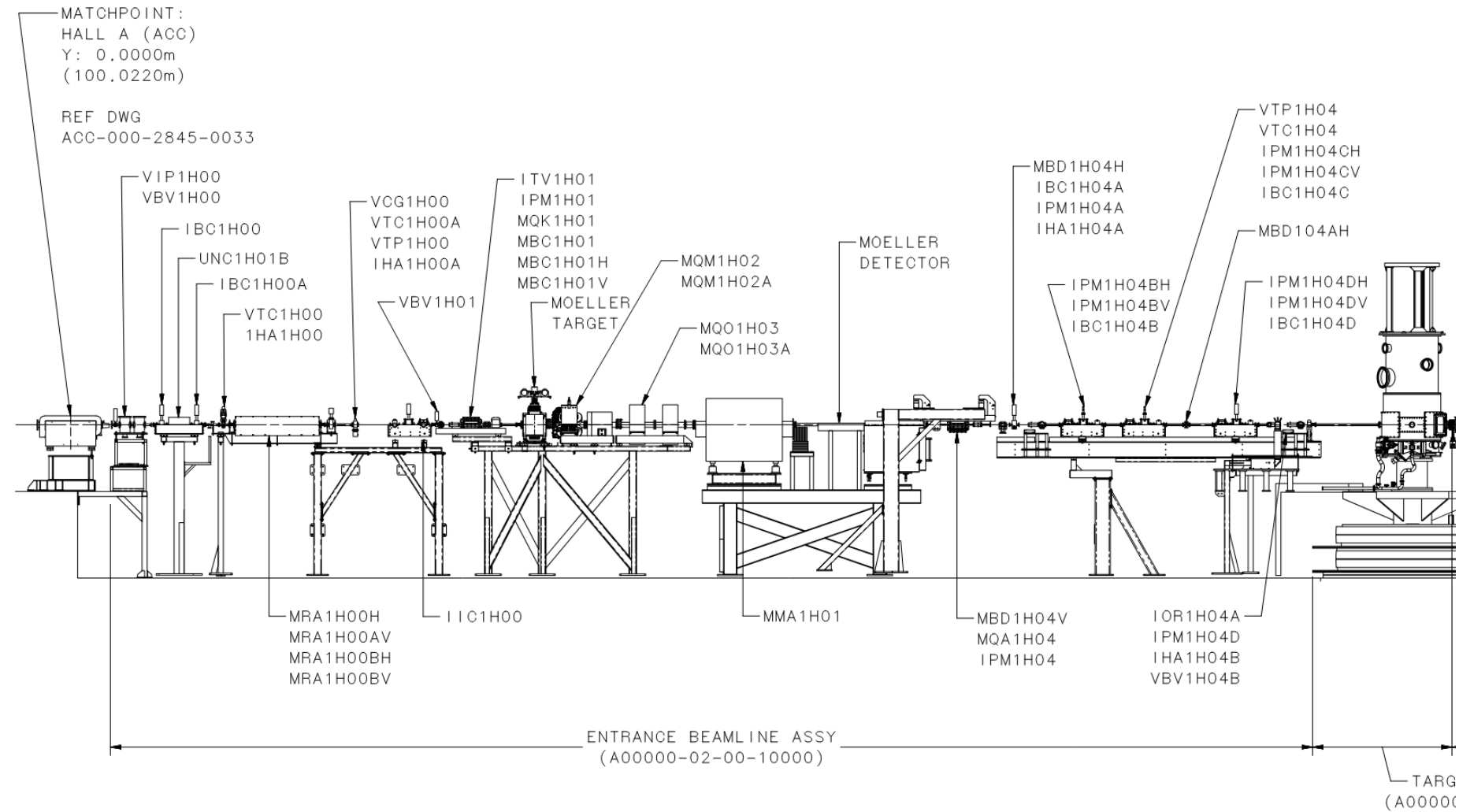
Changes to beamline



- a new Harp has been added to straight section of the Compton
- This will enable OPS better match the beam into the hall and allowing for adjustments using the ~1C20 quads

Hall beamline

- The remaining beamline in the hall remains the same in terms of diagnostics and optical elements as in previous SBS experiments
 - Hot checkout will proceed for all of these elements in Jan lead by the I&C group and Fast Electronics (raster)



- The 19mm collimator at the end of the line before the target has been removed (since it's not needed)
 - I will double check that the ion chamber positions make sense with Dave Meekins

Beam setup (ops procedures)

- I will review procedures in early January and make updates as needed
- Optics setup to the dump (tune beam)
 - will rely on harps
- Ion chamber calibrations
 - thin and thick target (will need to update procedure from He3)
- SBS Dipole Setup procedure
 - any changes needed?
 - do we have set points for all kinematic points?
- Target centering procedure using carbon holes