

# SBS Installation Planning and Scheduling

Jessie Butler

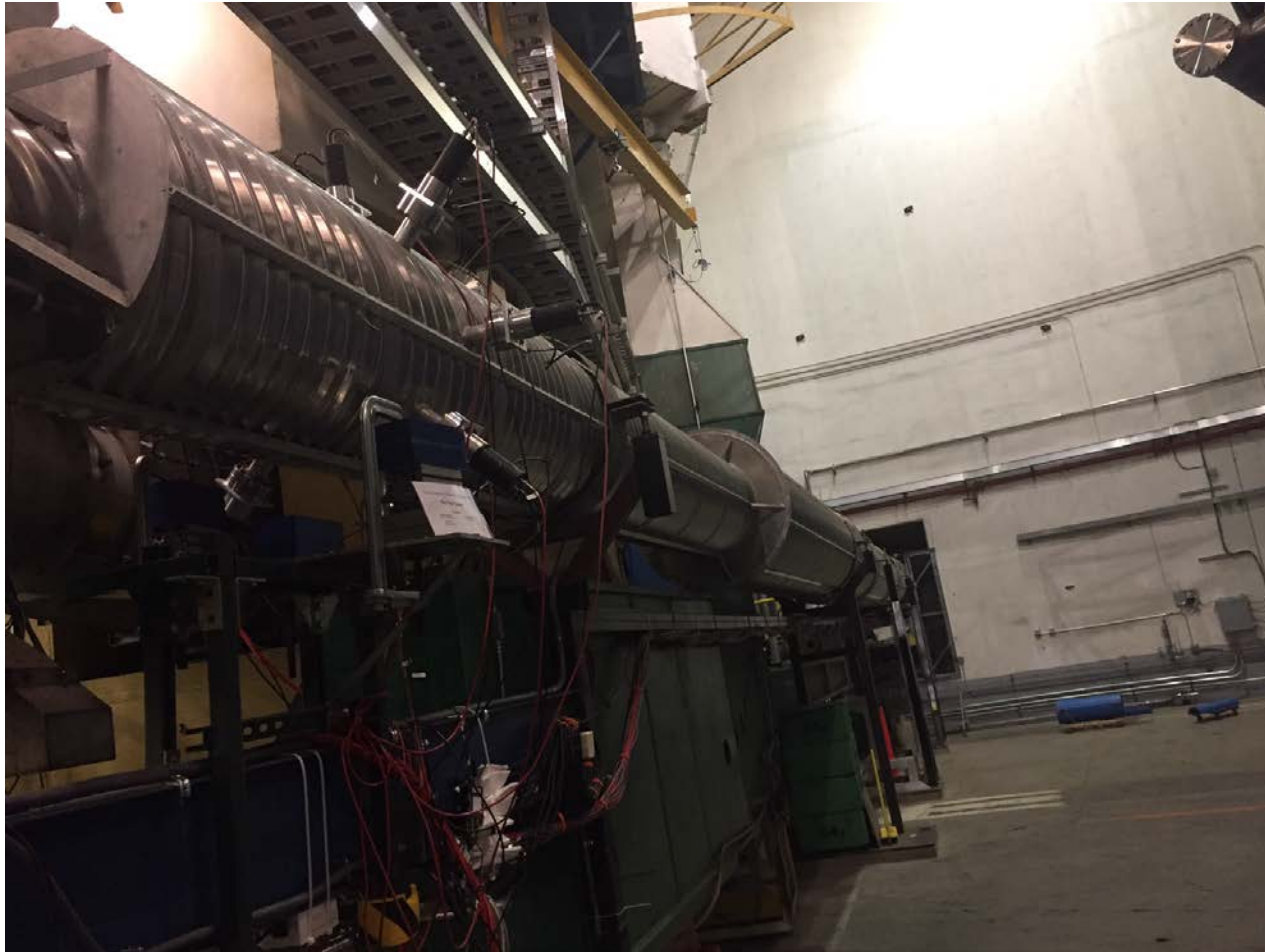
# 4 components

- Preliminaries
- De-Installation (unknown)
- Installation (Largest component)
  - Decommission R-HRS
  - Prep L-HRS and Exit Beamline for Installation
  - Upgrade Hall LCW
  - Transport Equipment to Hall A
  - Assemble SBS Magnet, Exit Beamline and Supporting Equipment
  - Install Corrector Magnets and Target Chamber
  - Install Big Bite Magnet
  - Install Equipment Racks and Power Supplies
  - Install Detector Packages
  - Install Shielding Structures
- Final Preparation

# Decommissioning R-HRS



# Exit Beamline



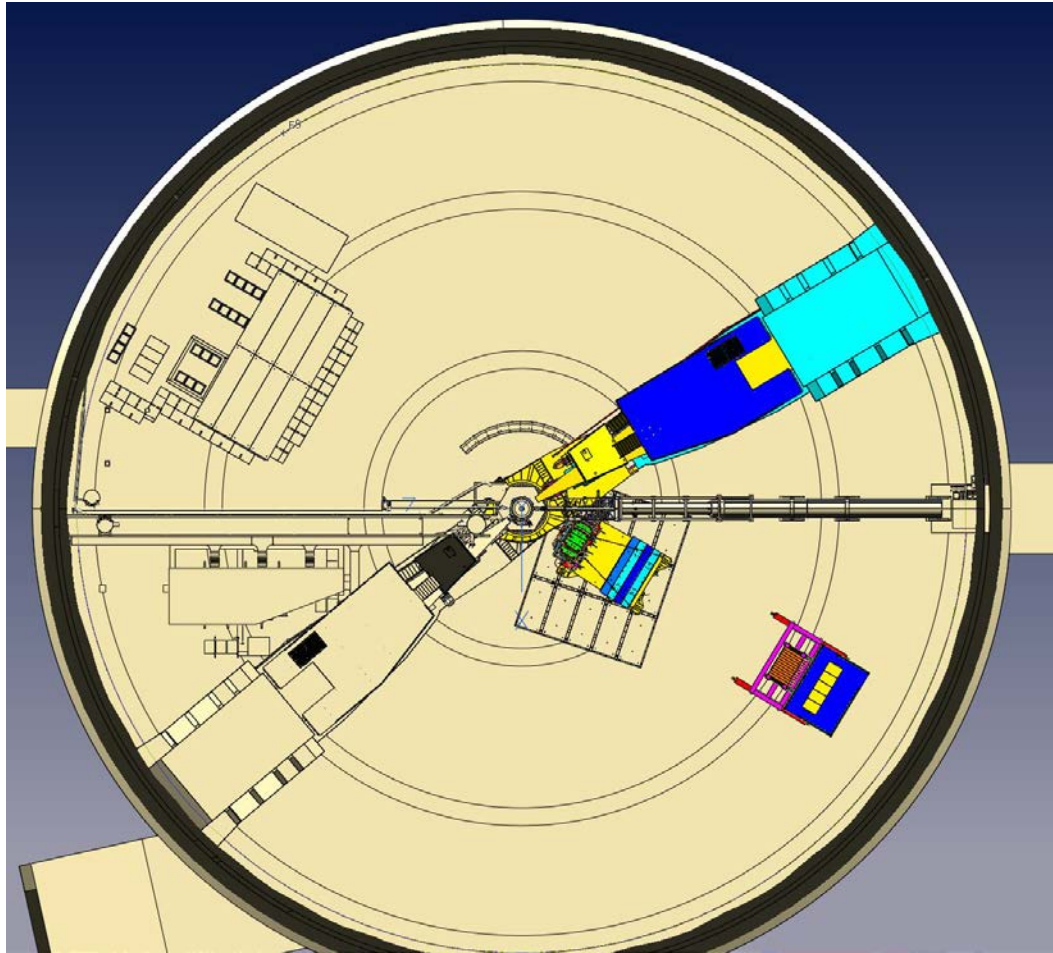
# LCW Upgrade



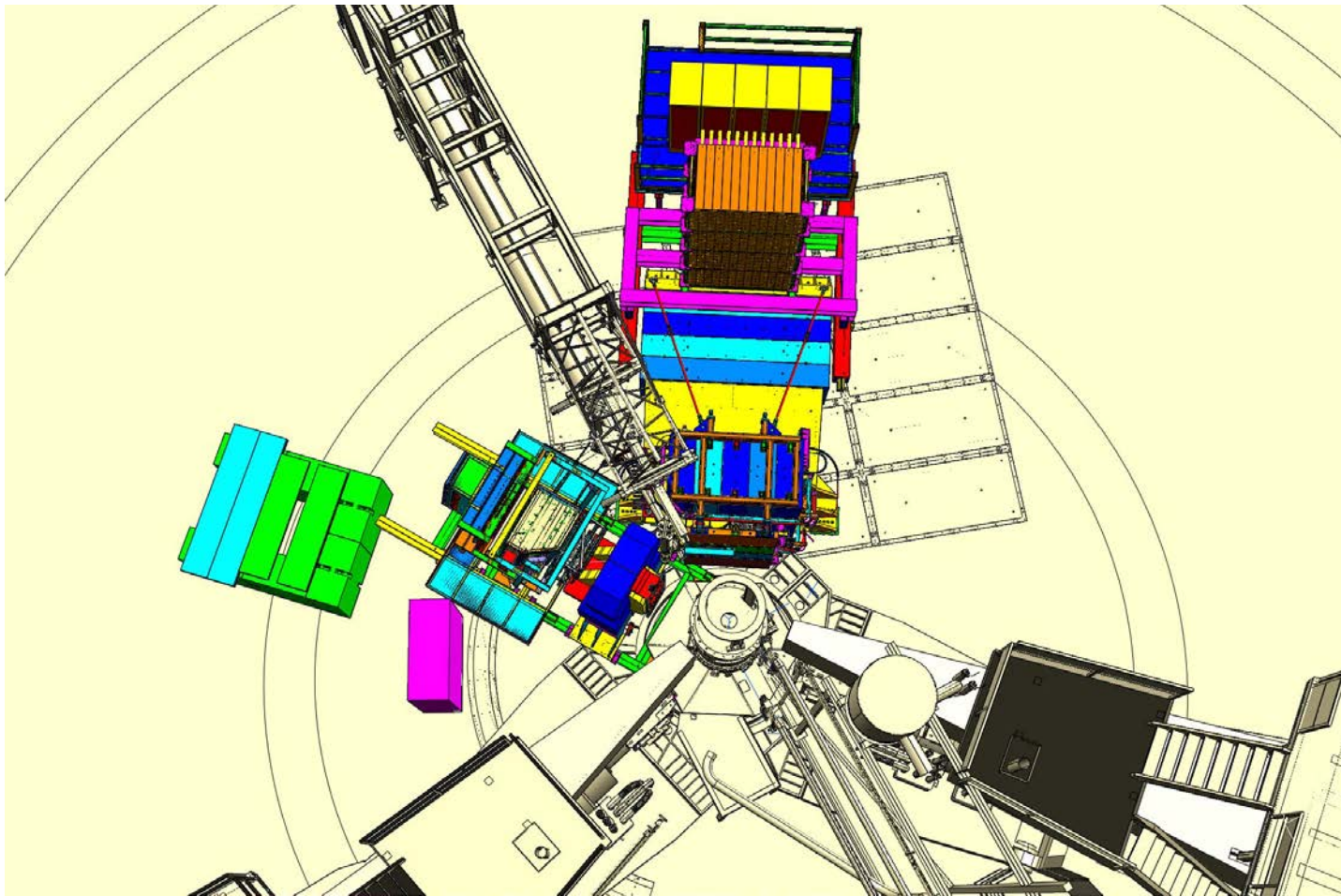
# Test Lab



# SBS Installation

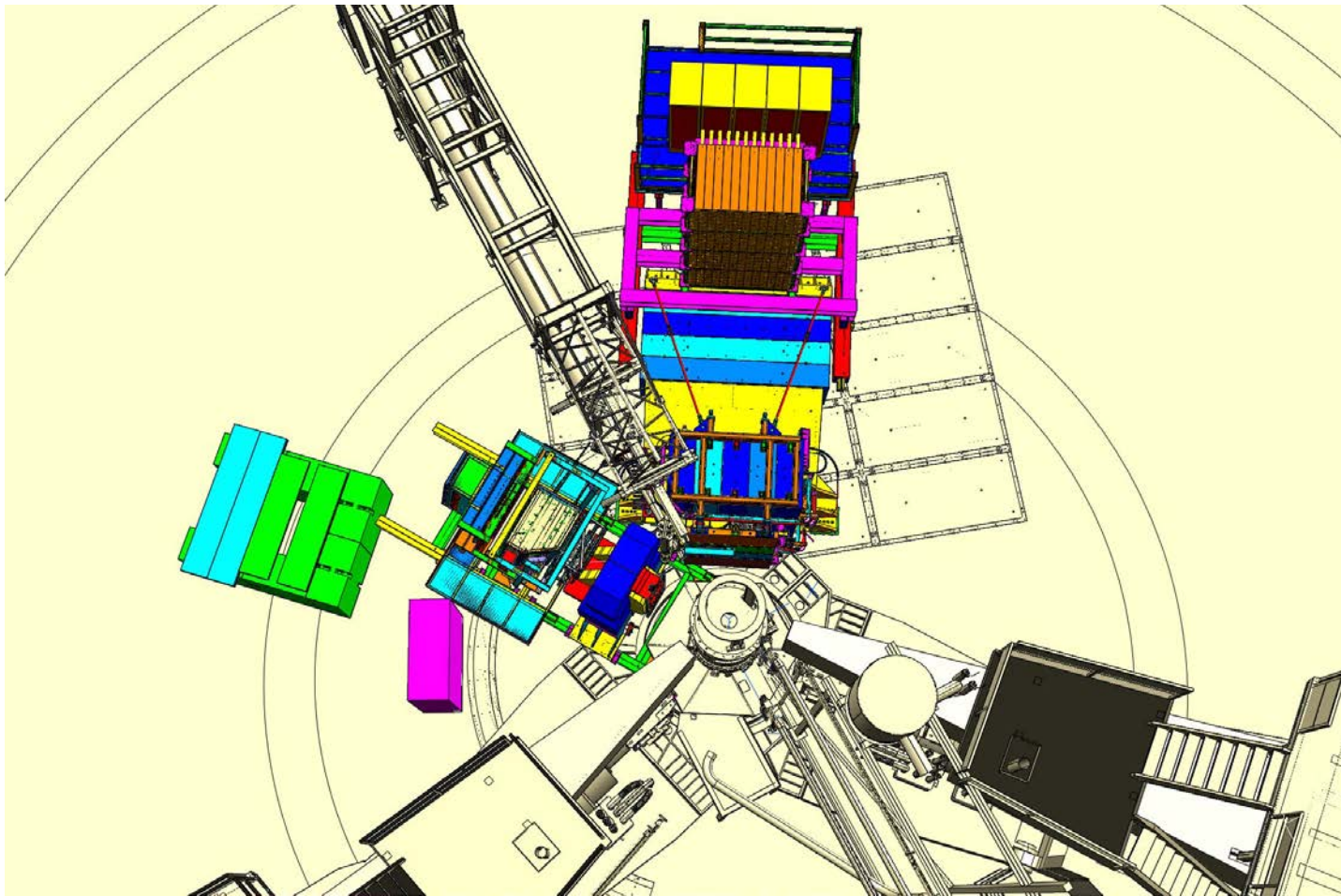


# SBS Installation (cont...)

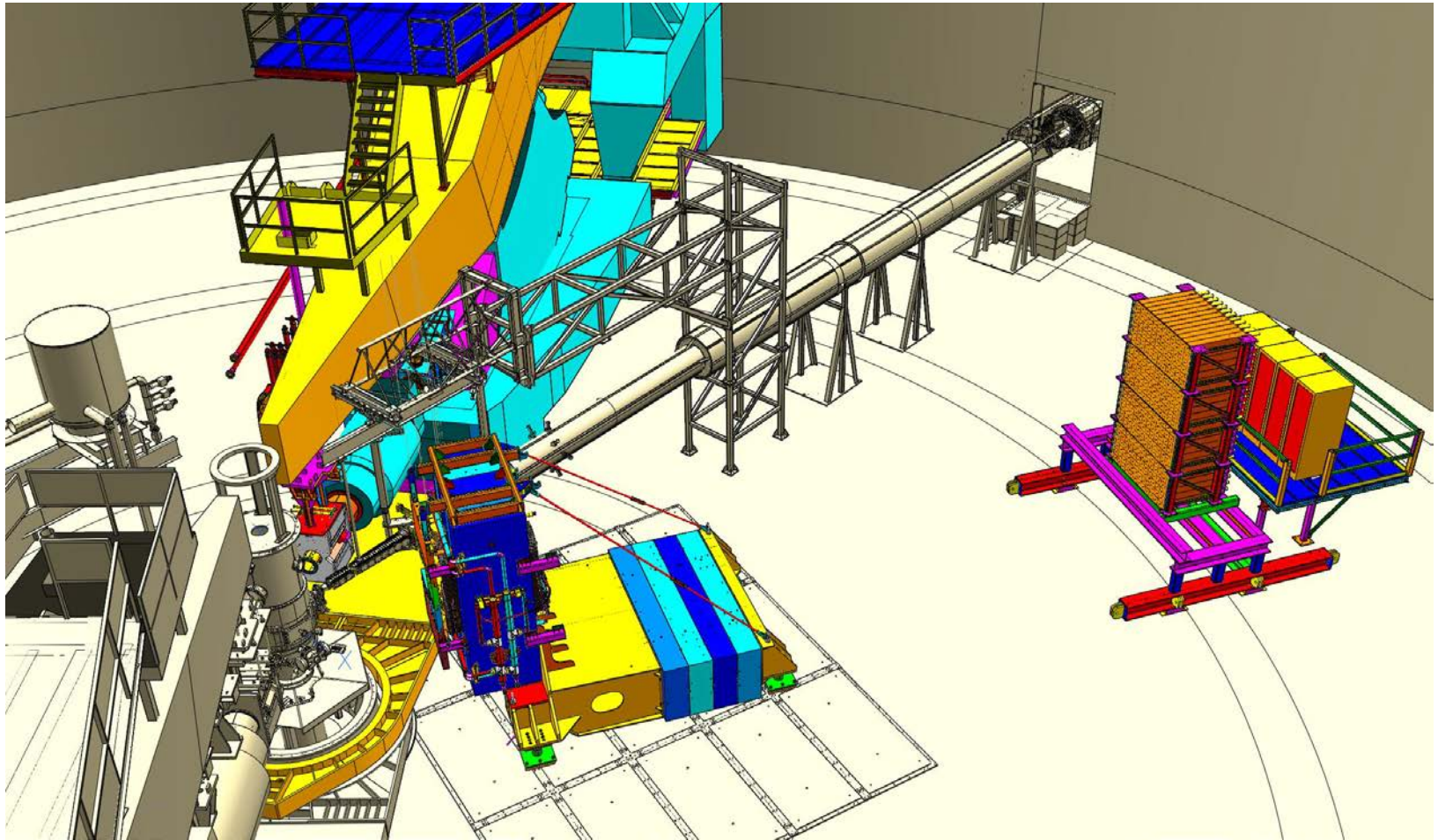




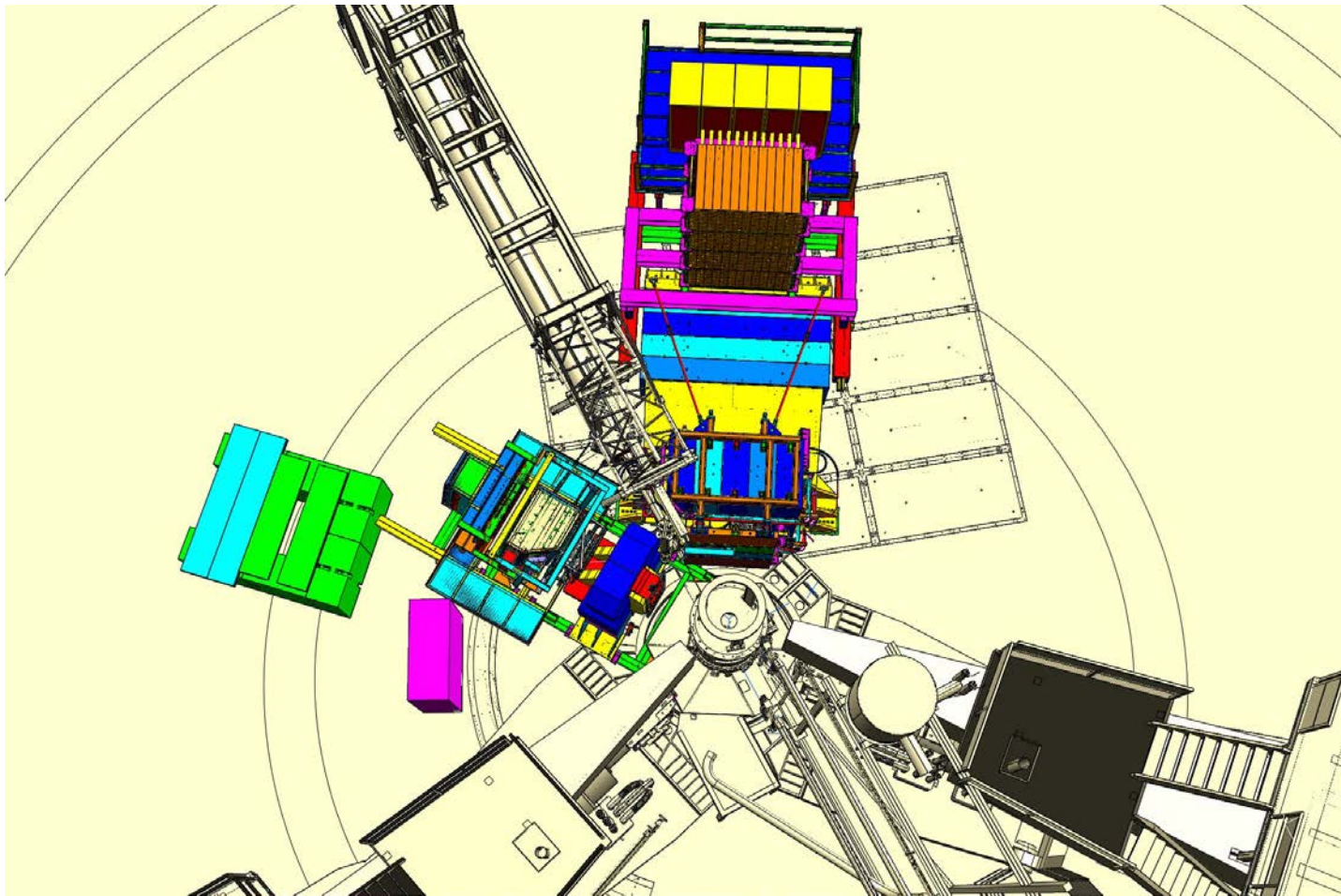
# SBS Installation (cont...)



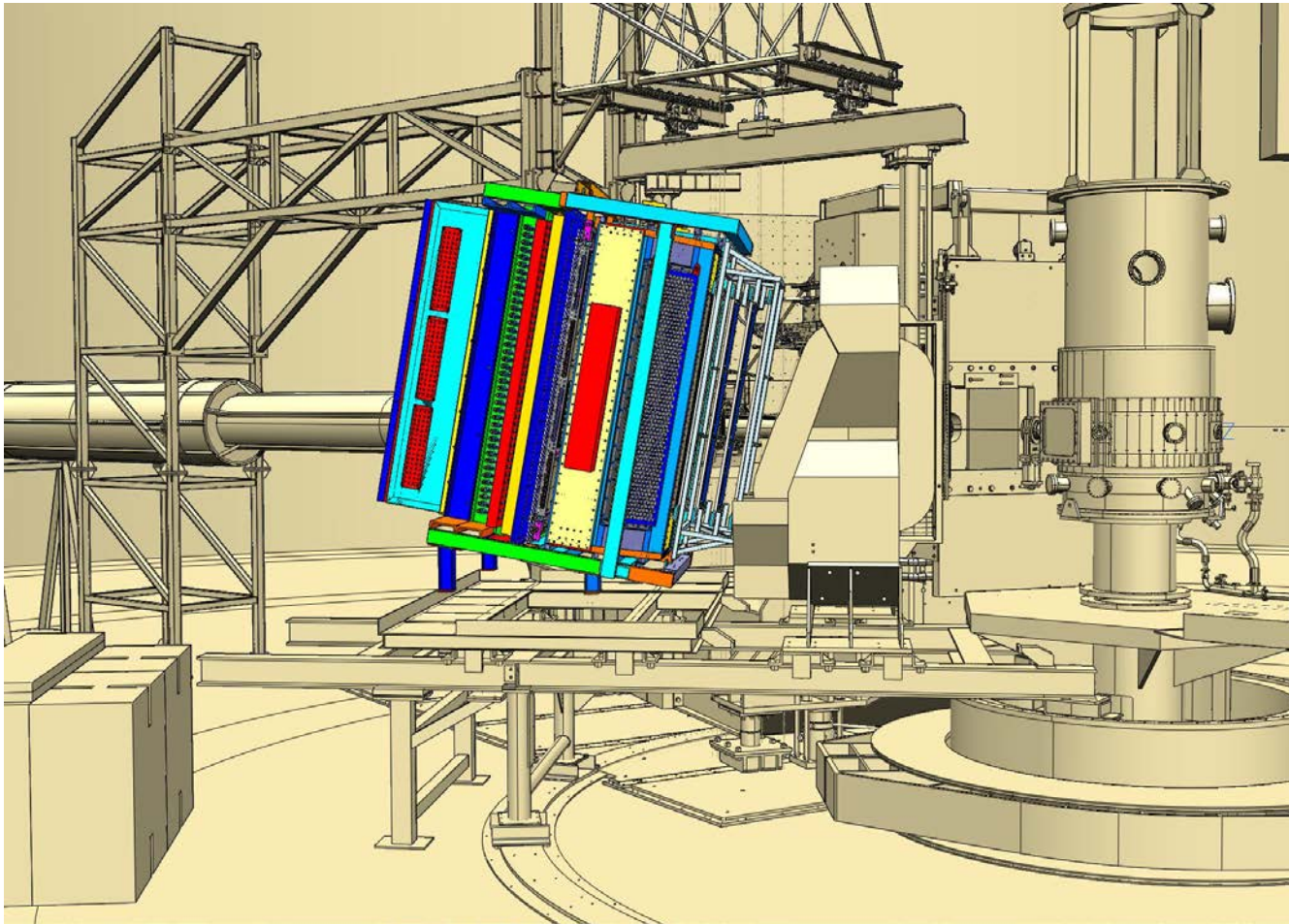
# SBS Installation (cont...)



# SBS Installation (cont...)



# SBS Installation (cont...)



# Final Preparations

- Cooldown and tune cryo system
- Pump down and leak check
- Test Power supplies
- Clean up Hall
- Do checklist

Questions???