

HRS Restoration

SBS Preparation Review

Seamus Riordan

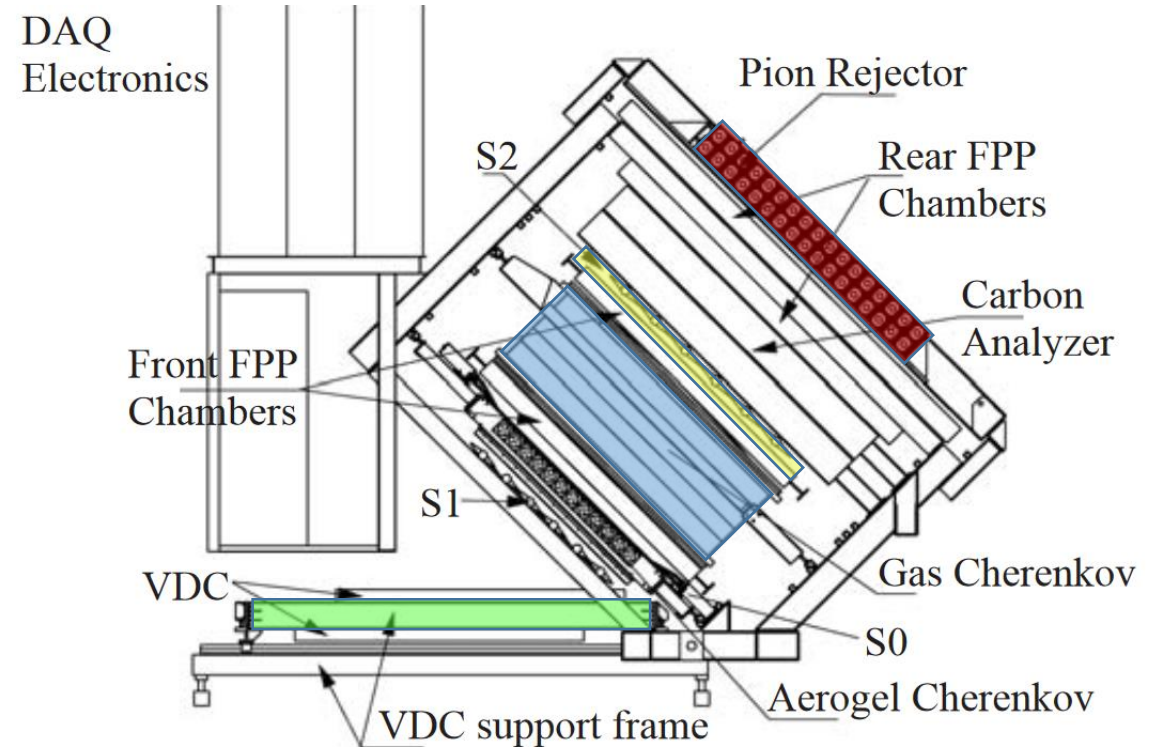
seamus@anl.gov

October 30, 2018



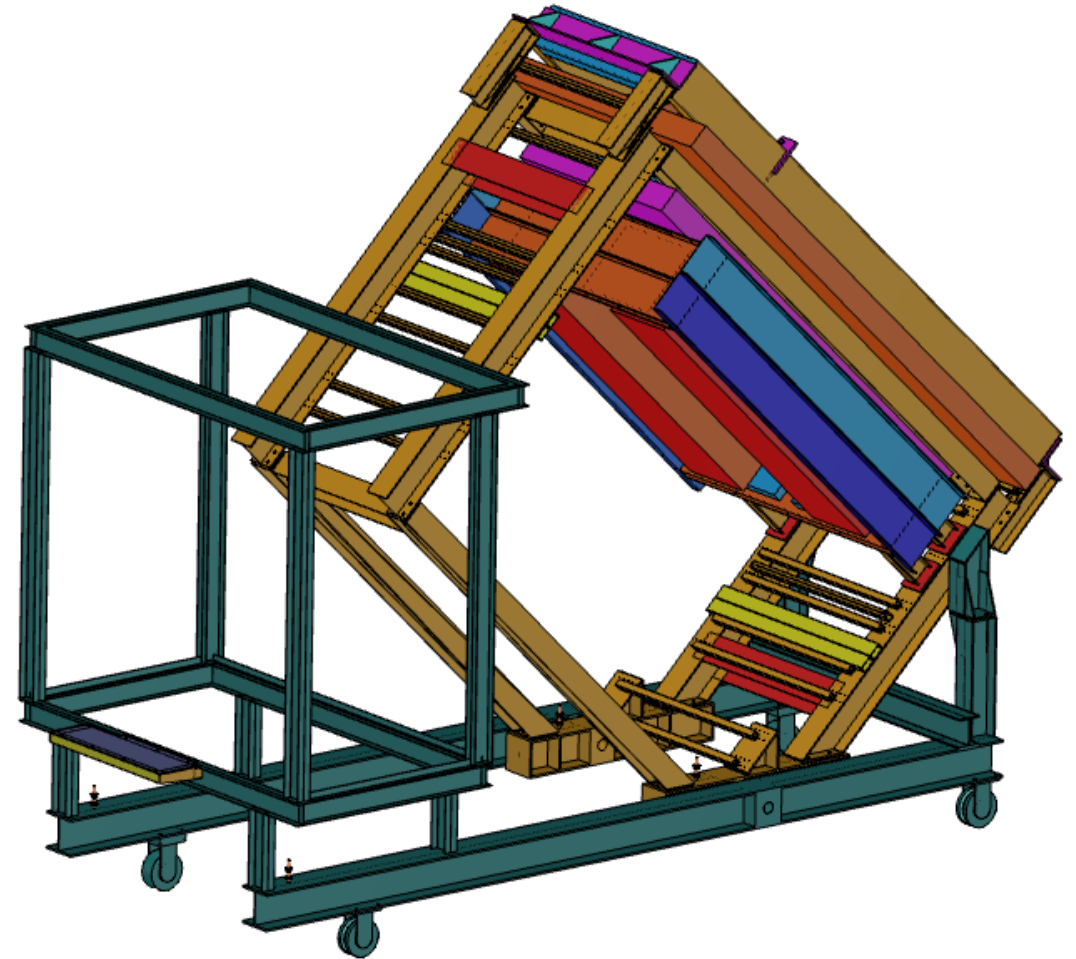
Requirements

- LHRS will be used for calibration of neutron detection in HCal
- Measuring $\gamma(p, \pi^+ n)$ at photon endpoint from radiator
- LHRS requires
 - Tracking - VDCs
 - Timing - s2m
 - PID – Gas Cherenkov
 - Showers
- Six measurements
 - 4.4 GeV
 - Two near 40.5° , four near 64.3°
 - HRS will be trigger



PREX-II/CREX Configuration

- Detectors will be removed from LHRS for PREX-II/CREX
- NOT being removed from LHRS are
 - VDCs
 - Analyzer and FPPs
- To be restored
 - Gas Cherenkov
 - s2m
 - Pion rejector



Required Work

- After CREX, missing detectors will have to be reloaded in frame
- Restoration of HRS DAQ
- Trigger logic defined and implemented
- Recabling of channels and cosmics checkout