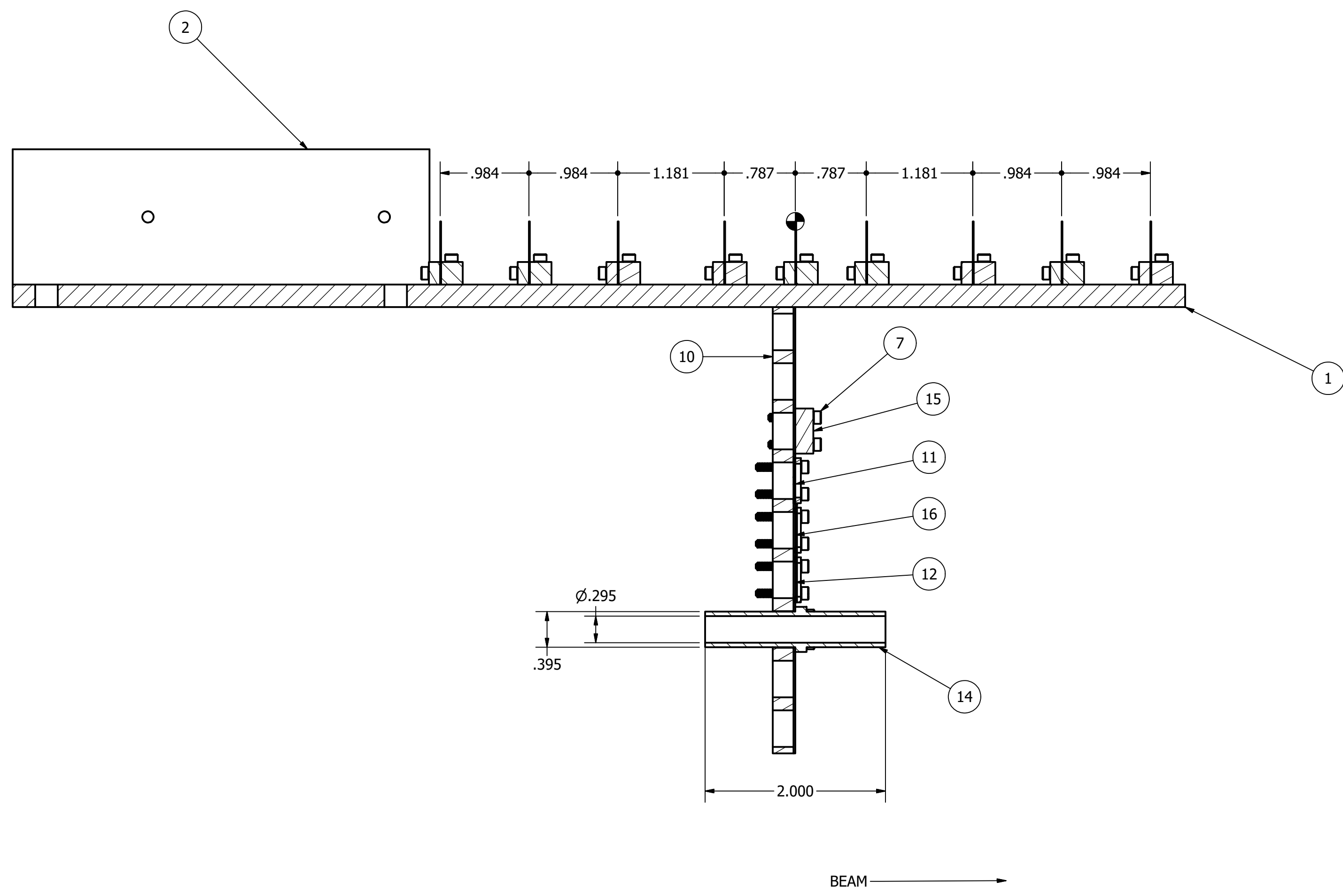
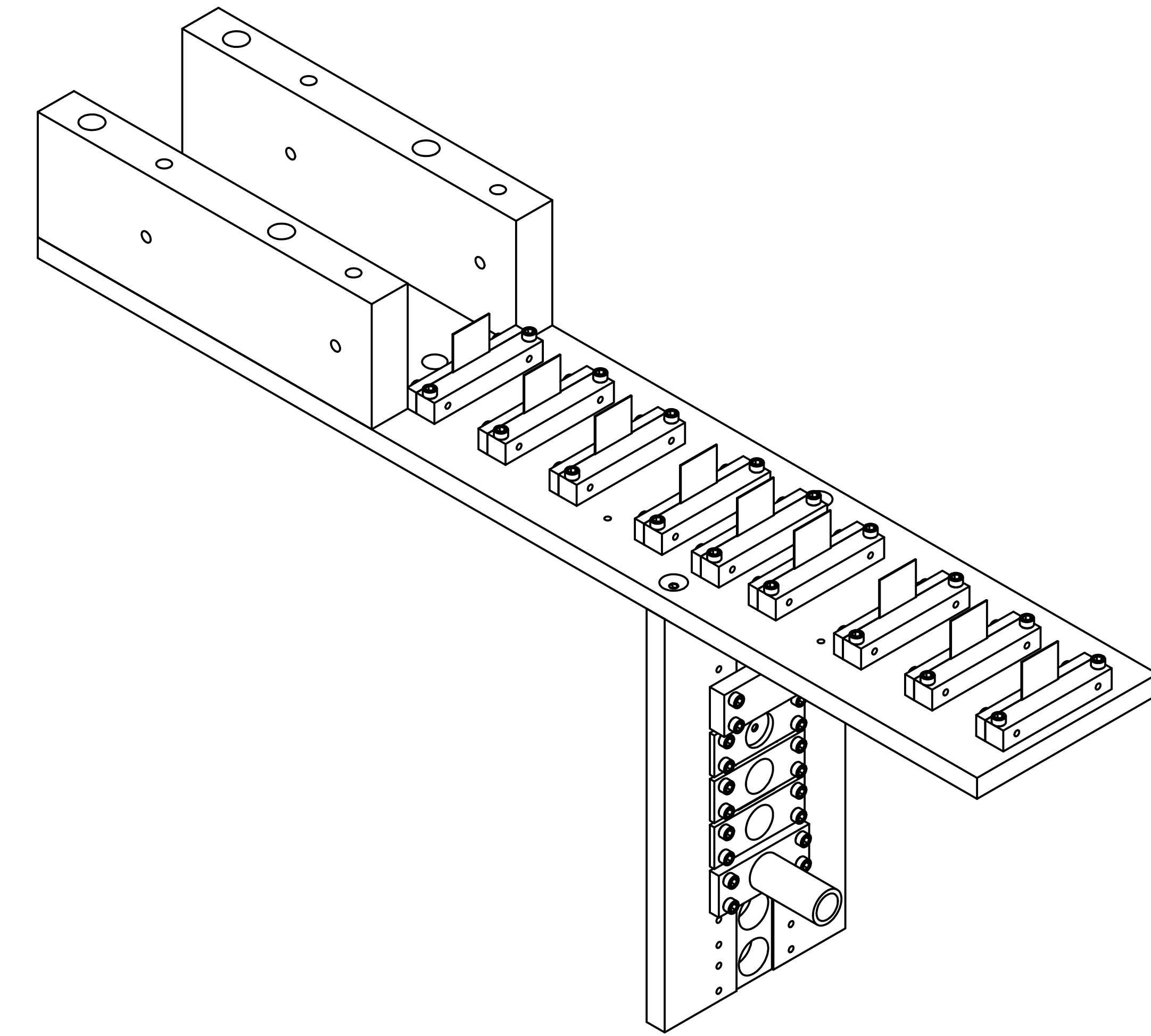
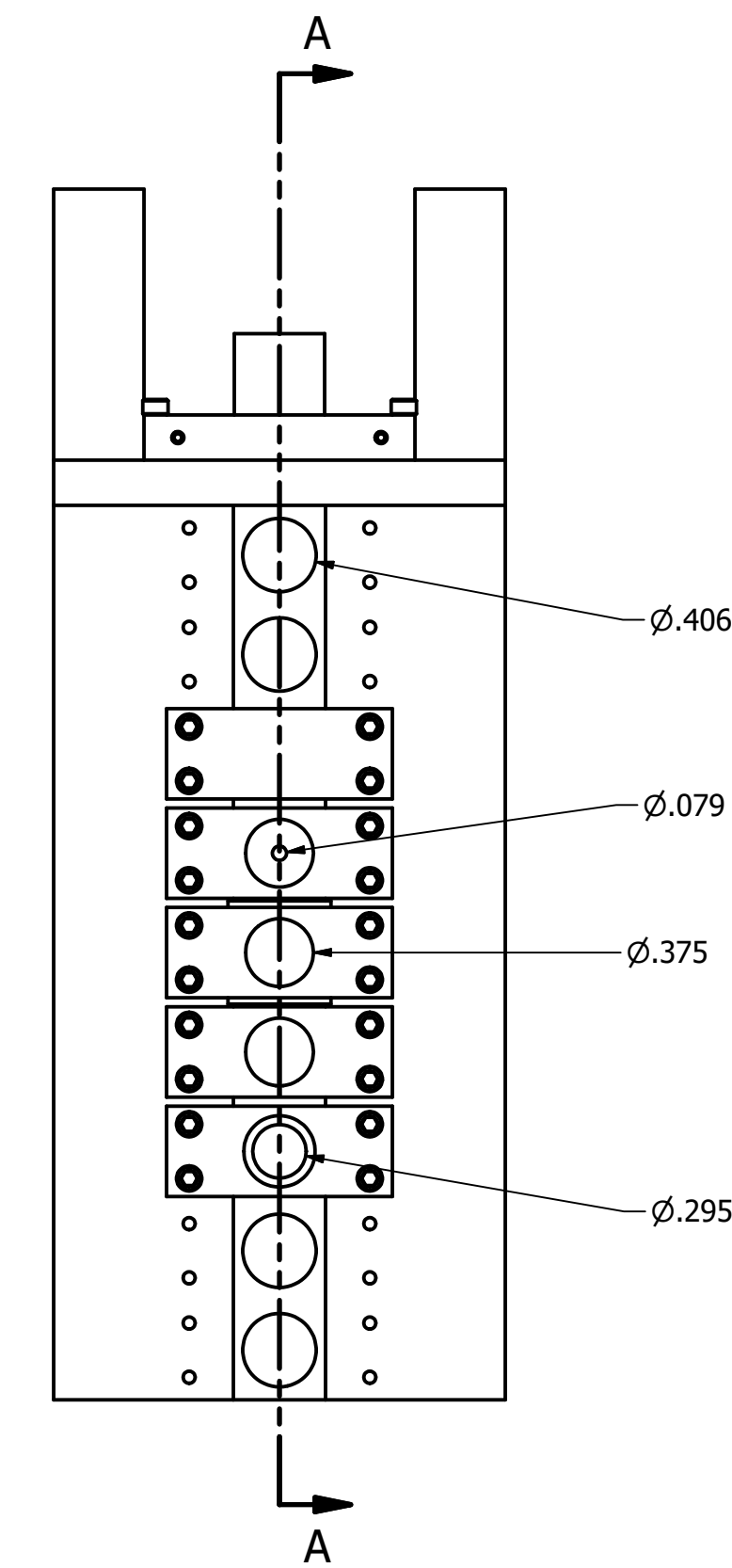


REVISION HISTORY				
ZONE	REV	DESCRIPTION	DATE	APPROVED
All	A	New Optics Target	10/11/2016	



SECTION A-A  
SCALE 1 : 1



PARTS LIST			
ITEM	QTY	PART NUMBER	DESCRIPTION
1	1	TGT-301-1005-0002	Dummy/Optics Target Sled
2	2	TGT-101-1005-0002	Solid Target Spacer Block 1.5 in.
3	9	TGT-101-1005-0004	Target Foil Clamp
4	9	TGT-101-1005-0005	Carbon Optics Target Foil
5	9	TGT-101-1005-0011	Dummy and Optics Foil Clamp
6	18	98511A123	2-56x0.25 HSHCS Aluminum (Blue Anodized)
7	38	98511A133	2-56x0.5 HSHCS Aluminum (Anodized Blue)
8	4	92210A303	10-32x0.625 HFHCS SST 18-8
9	2	92210A150	6-32x0.625 HFHCS SST 18-8
10	1	TGT-101-1005-0027	9 Target Solid Target Ladder
11	1	TGT-101-1005-0007	Carbon Hole Target Foil
12	1	TGT-101-1005-0006	Carbon Target Foil
13	3	TGT-101-1005-0013	Solid Target Clamp
14	1	TGT-101-1005-0019	Raster ClearanceTarget
15	1	TGT-101-1005-0018	Ion Chamber Calibration Target
16	1	TGT-101-1005-0014	BeO Target Foil

DOCUMENT CONTROL STAMP	DIM & TOL PER ASME Y14.5 UNLESS OTHERWISE SPECIFIED DIMENSIONS ARE IN INCHES TOLERANCES ARE: FRACTIONS DECIMALS ANGLES #1/64 .XX0.1 .XX0.5	APPROVALS	DATE	JEFFERSON LAB TARGET GROUP THOMAS JEFFERSON NATIONAL ACCELERATOR FACILITY NEWPORT NEWS VIRGINIA U.S. DEPARTMENT OF ENERGY
MATERIAL	THIRD ANGLE PROJECTION	DRAWN D. Meekins	10/11/2016	
FINISH DEBUR AND BREAK ALL SHARP EDGES ACCEPT AS NOTED	UNLESS OTHERWISE NOTED	CHECKED		
Do Not Scale Drawing		APPROVED		
		APPROVED		Hall A Cryogenic Target Solid Target System Lower Solid Target Assy
		APPROVED		SIZE E DWG NO TGT-101-1005-0026
		APPROVED		SCALE 1:1 ASSY. NO. SHEET 1 OF 1