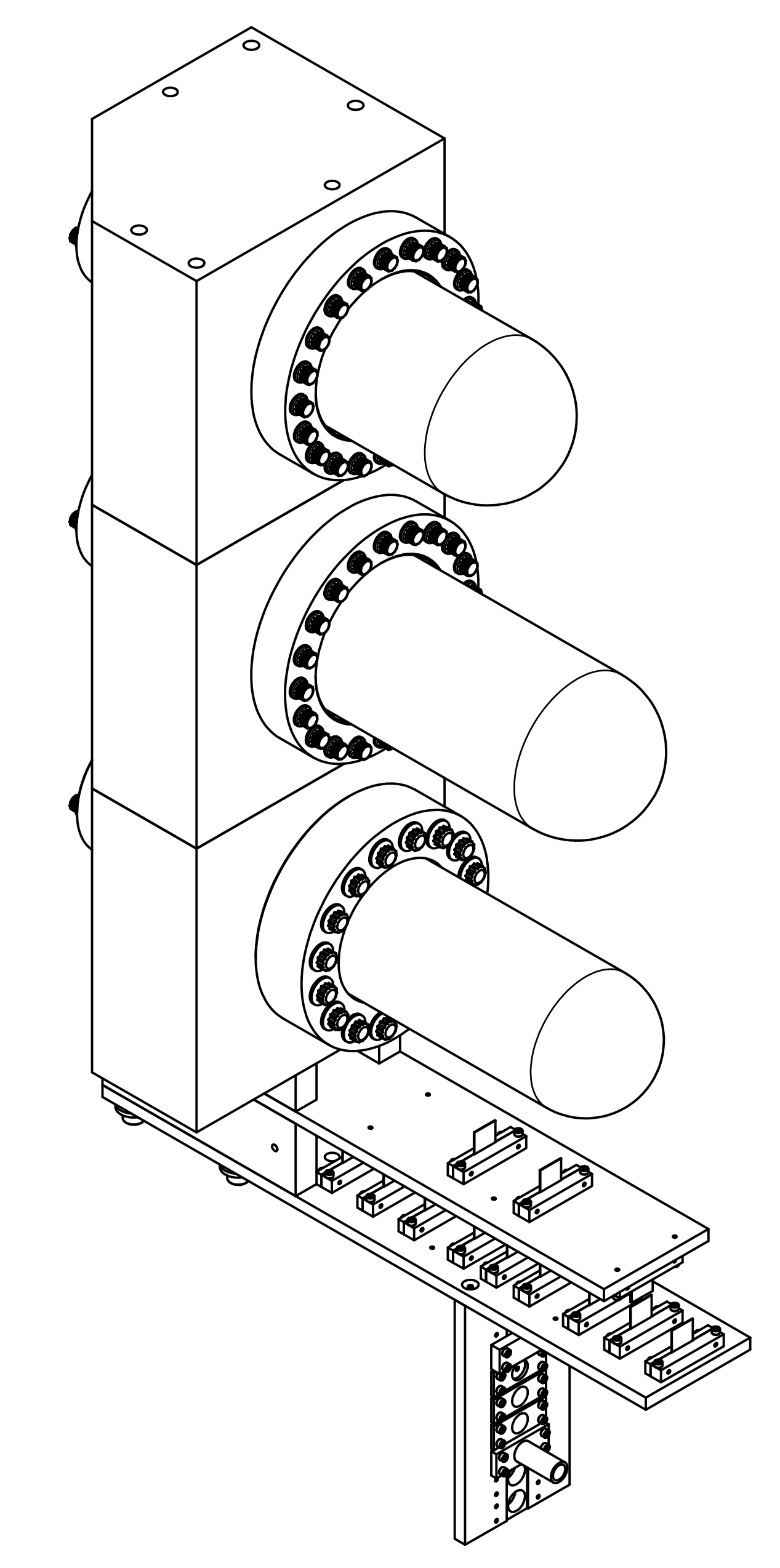
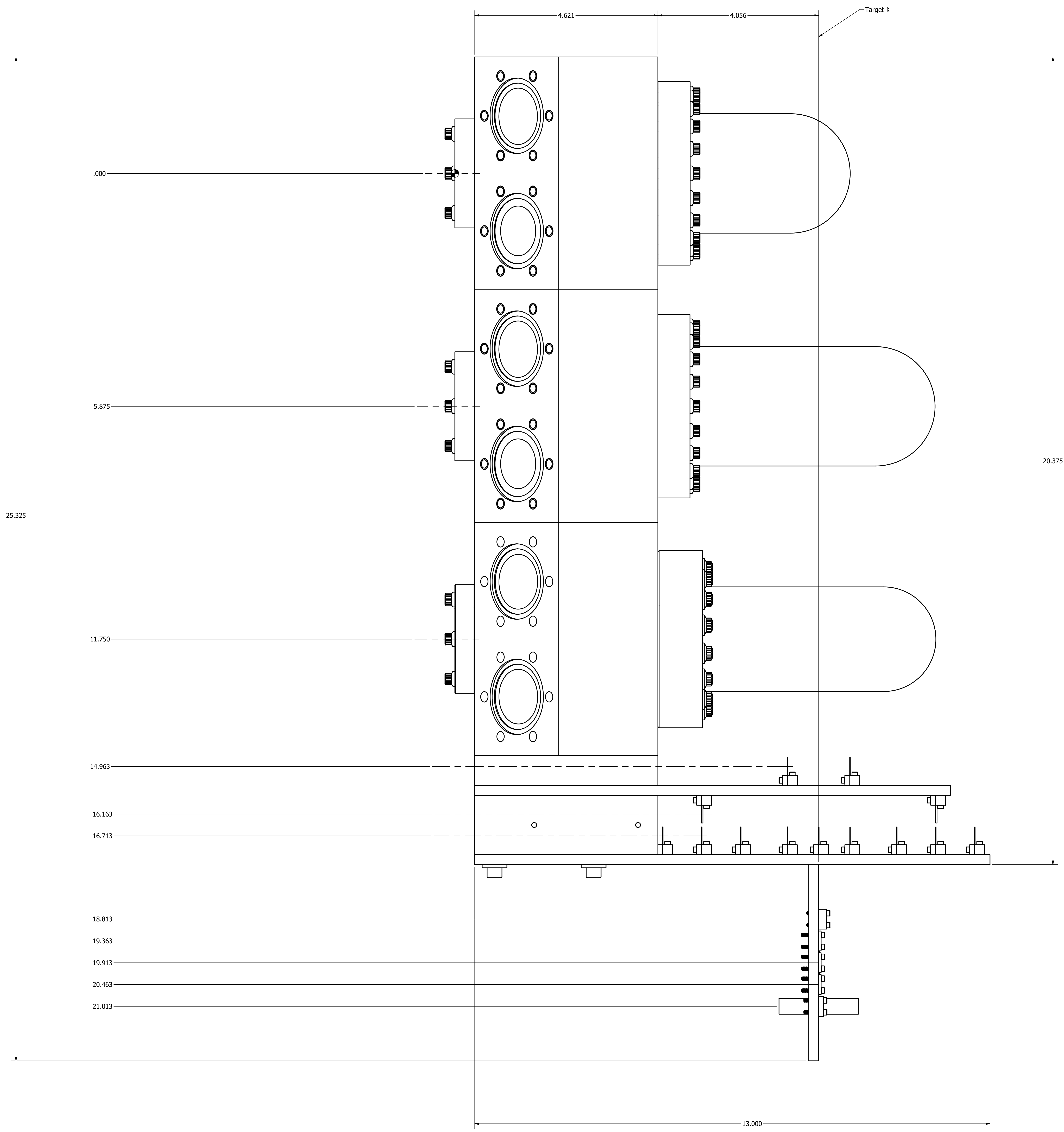
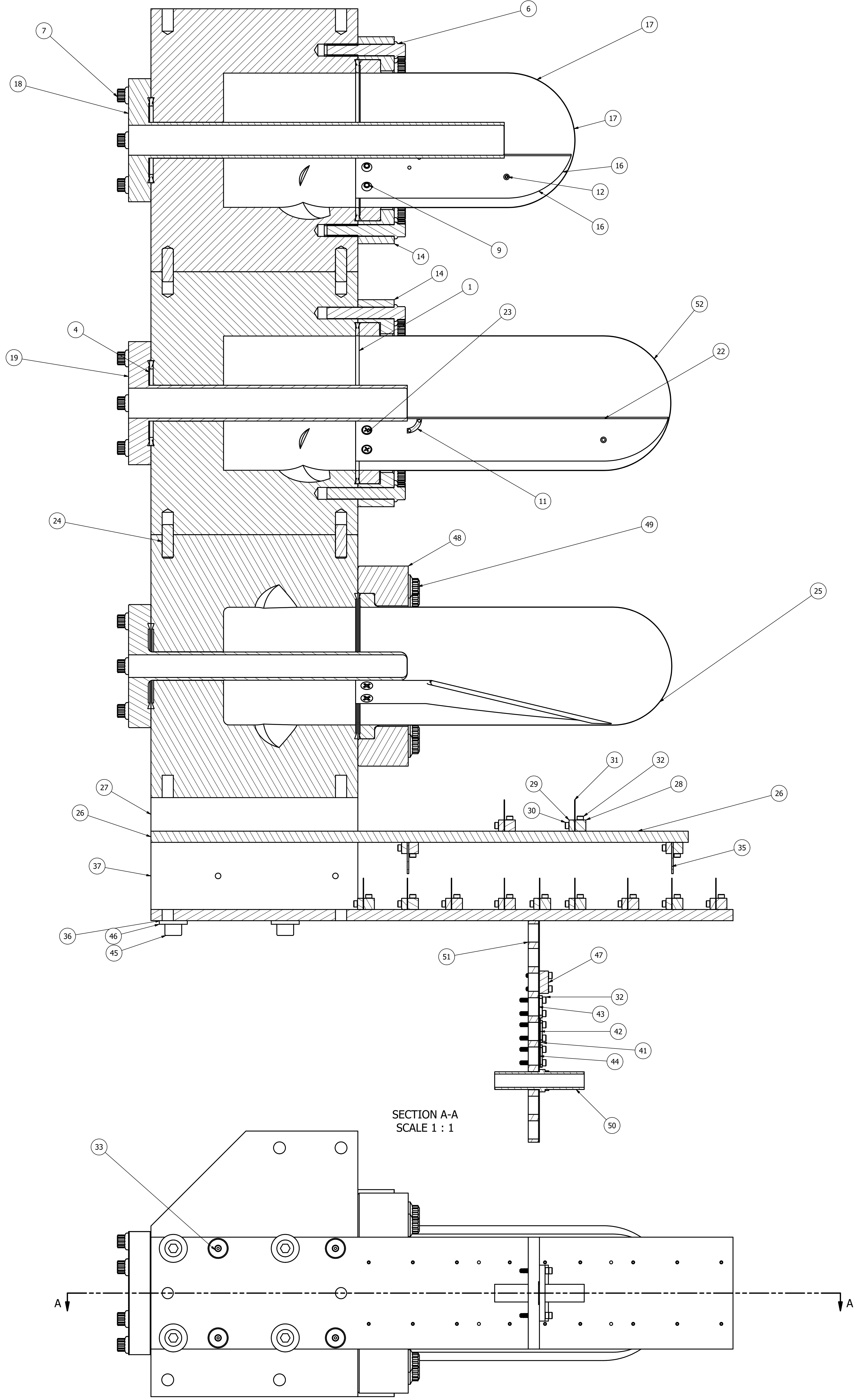


REVISION HISTORY				
ZONE	REV	DESCRIPTION	DATE	APPROVED
ALL	A	Changed Optics Target	10/11/2016	



DOCUMENT CONTROL STAMP		DIM & TOL PER ASME Y14.5 UNLESS OTHERWISE SPECIFIED DIMENSIONS ARE IN INCHES TOLERANCES ARE: FRACTIONS DECIMALS ANGLE #1/64 .XX0.1 .XXX±0.01 .XXX±0.005		APPROVALS		DATE		JEFFERSON LAB TARGET GROUP THOMAS JEFFERSON NATIONAL ACCELERATOR FACILITY NEWPORT NEWS VIRGINIA U.S. DEPARTMENT OF ENERGY	
MATERIAL VAR		THIRD ANGLE PROJECTION		DRAWN D. Meekins		10/11/2016		HALL A CRYOGENIC TARGET Target Stack Assembly October 2014	
FINISH DEBUR AND BREAK ALL SHARP EDGES ACCEPT AS NOTED		VAR UNLESS OTHERWISE NOTED		CHECKED		APPROVED		SIZE E	
Do Not Scale Drawing		[Symbol]		APPROVED		APPROVED		DWG NO TGT-101-1010-0002	
				APPROVED		APPROVED		REV A	
				SCALE VAR		ASSY. NO.		SHEET 1 OF 2	



ITEM	QTY	PART NUMBER	DESCRIPTION	MATERIAL
1	2	GA-0462AL	4.625 CF Gasket Aluminum	Aluminum 1100-H14
2	21	1191-4CN750	Helicoil 1/4-28 x 0.75 SST 304	Stainless Steel AISI 304
3	36	1191-4CN500	Helicoil 1/4-28 x 0.5 SST 304	Stainless Steel AISI 304
4	2	GA-0275AL	Al Gasket 2.75 CF	Aluminum 1100-H14
5	8	92196A115	ANSI B18.3 - No. 4 - 40 UNC - 1 HS HCS	SST 18-8
6	40	12ptx1.5	1/4-28 x 1.5 12 pt Cap Screw SST 18-8	SST 18-8
7	18	12pt0.25x1	1/4-28 x 1.00 12 pt Cap Screw SST	SST 18-8
8	2	TGT-101-1001-0501	3 in CF Cell Block For Std TGT	ASTM B209 AL 7075-T651
9	4	TGT-101-1001-0505	3 in CF Cell Flow Diverter Mount	Aluminum 6061
10	2	TGT-101-1001-0522	Flow Diverter Spacer	Aluminum 6061
11	1	TGT-101-1001-0513	Entrance Window Flow Diverter	Aluminum 6061
12	1	ANSI B18.3 - 0-80 UNF - 1.375 HS HCS	Hexagon Socket Head Cap Screw	Titanium
13	1	91780A018	0-80 x 1/8" HEX NUT	Aluminum 6061
14	2	TGT-101-1001-0516	4.625 CF Clamp Ring	ASTM B209 AL 7075-T651
15	1	TGT-101-1001-0520	3 in CF 4 cm flow diverter beam right	Aluminum 6061
16	1	TGT-101-1001-0521	3 in CF 4 cm flow diverter beam left	ASTM B209 AL 6061-T651
17	1	TGT-101-1001-0518	3 in OD cell 4 cm target	ASTM B209 AL 7075-T651
18	1	TGT-101-1001-0519	3 in OD target 4 cm entrance	ASTM B209 AL 7075-T651
19	1	TGT-101-1001-0503	3 in OD target 15 cm entrance	ASTM B209 AL 7075-T651
21	1	TGT-101-1001-0504	3 in CF 15 cm flow diverter beam right	Aluminum 6061
22	1	TGT-101-1001-0506	3 in CF 15 cm flow diverter beam left	ASTM B209 AL 6061-T651
23	4	ANSI B18.6.3 - 4-40 UNC x 0.3125	Cross Recessed Close Tolerance 100° Flat Countersunk Head Machine Screw - Type 1 - UNC - Inch	SST 18-8
24	4	98105A064	0.25 dowel (under-0.0002) .75 long	SST 18-8
25	1	HIGH ENERGY CELL_BLOCK_ASSY		VAR
26	1	TGT-101-1005-0016	Dummy Target Sled (4 and 15 cm)	ASTM B209 AL 6061-T651
27	2	TGT-101-1005-0015	Solid Target Spacer Block 0.75 in.	ASTM B209 AL 6061-T651
28	11	TGT-101-1005-0004	Target Foil Clamp	Aluminum-6061
29	13	TGT-101-1005-0011	Dummy and Optics Foil Clamp	Aluminum 6061
30	26	98511A123	2-56x0.25 HSHCS Aluminum (Blue Anodized)	Aluminum 6061
31	2	TGT-101-1005-0017	4 cm Dummy Target Foil	Aluminum 3003
32	46	98511A133	2-56x0.5 HSHCS Aluminum (Anodized Blue)	Aluminum 6061
33	8	92210A303	10-32x0.625 HFHCS SST 18-8	SST 18-8
34	2	TGT-101-1005-0010	Target Foil Clamp	Aluminum-6061
35	2	TGT-101-1005-0008	Aluminum Dummy Target Foil	ASTM B209 AL 7075-T651
36	1	TGT-301-1005-0002	Dummy/Optics Target Sled	ASTM B209 AL 6061-T651
37	2	TGT-101-1005-0002	Solid Target Spacer Block 1.5 in.	ASTM B209 AL 6061-T651
38	9	TGT-101-1005-0005	Carbon Optics Target Foil	Carbon Graphite Rigid
39	2	92210A150	6-32x0.625 HFHCS SST 18-8	SST 18-8
41	3	TGT-101-1005-0013	Solid Target Clamp	ASTM B209 AL 6061-T651
42	1	TGT-101-1005-0014	BeO Target Foil	BeO
43	1	TGT-101-1005-0007	Carbon Hole Target Foil	Carbon Graphite Rigid
44	1	TGT-101-1005-0006	Carbon Target Foil	Carbon Graphite Rigid
45	4	ANSI B18.3 - 1/4-28 UNF - 3.25 HS HCS	Hexagon Socket Head Cap Screw	SST 18-8
46	4	ASTM F436 - 1/4	Washer A	SST 18-8
47	1	TGT-101-1005-0018	Ion Chamber Calibration Target	ASTM B209 AL 6061-T651
48	1	TGT-101-1001-0526	4.5 CF Rotatable Heavy Ring	ASTM B209 AL 7075-T651
49	16	711-1750	12 pt CS 1/4-28 x 1.75	SST TP 450
50	1	TGT-101-1005-0019	Raster Clearance Target	ASTM B209 AL 6061-T651
51	1	TGT-101-1005-0027	9 Target Solid Target Ladder	ASTM B209 AL 7075-T651
52	1	TGT-101-1001-0515	3 in OD cell 15 cm target	ASTM B247 AL 7075-T651

DOCUMENT CONTROL STAMP	DIM & TOL PER ASME Y14.5 UNLESS OTHERWISE SPECIFIED DIMENSIONS ARE IN INCHES TOLERANCES ARE: FRACTIONS DECIMALS ANGLES ±1/64 X±0.1 XXX±0.01 XXXX±0.005	APPROVALS DRAWN D. Meekins CHECKED APPROVED APPROVED	DATE 10/11/2016	JEFFERSON LAB TARGET GROUP THOMAS JEFFERSON NATIONAL ACCELERATOR FACILITY NEWPORT NEWS VIRGINIA U.S. DEPARTMENT OF ENERGY
MATERIAL VAR	THIRD ANGLE PROJECTION	APPROVED		HALL A CRYOGENIC TARGET Target Stack Assembly October 2014
FINISH VAR UNLESS OTHERWISE NOTED DEBUR AND BREAK ALL SHARP EDGES ACCEPT AS NOTED Do Not Scale Drawing		APPROVED		SIZE DWG NO E TGT-101-1010-0002
				SCALE VAR ASSY. NO. SHEET 2 OF 2