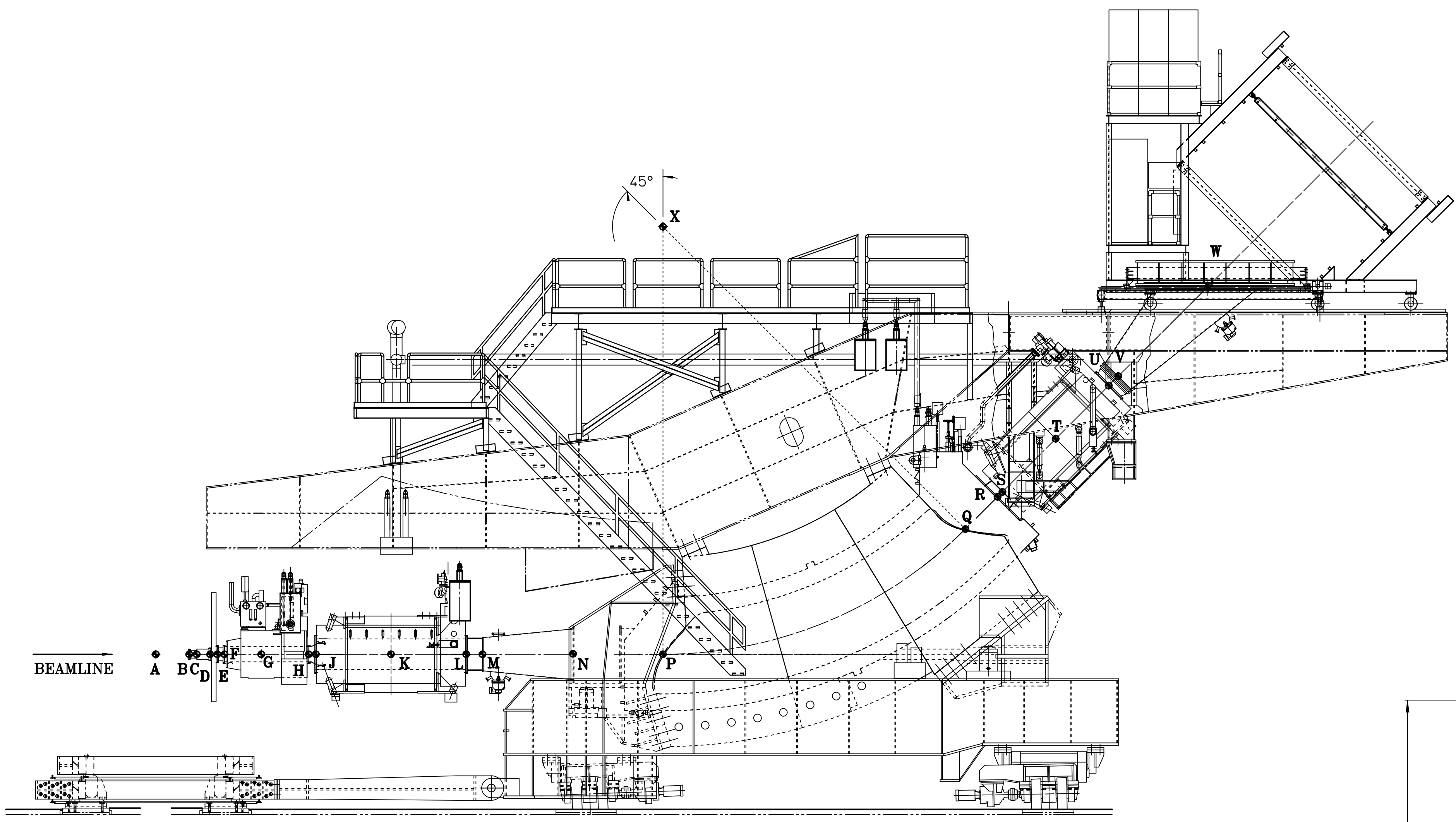


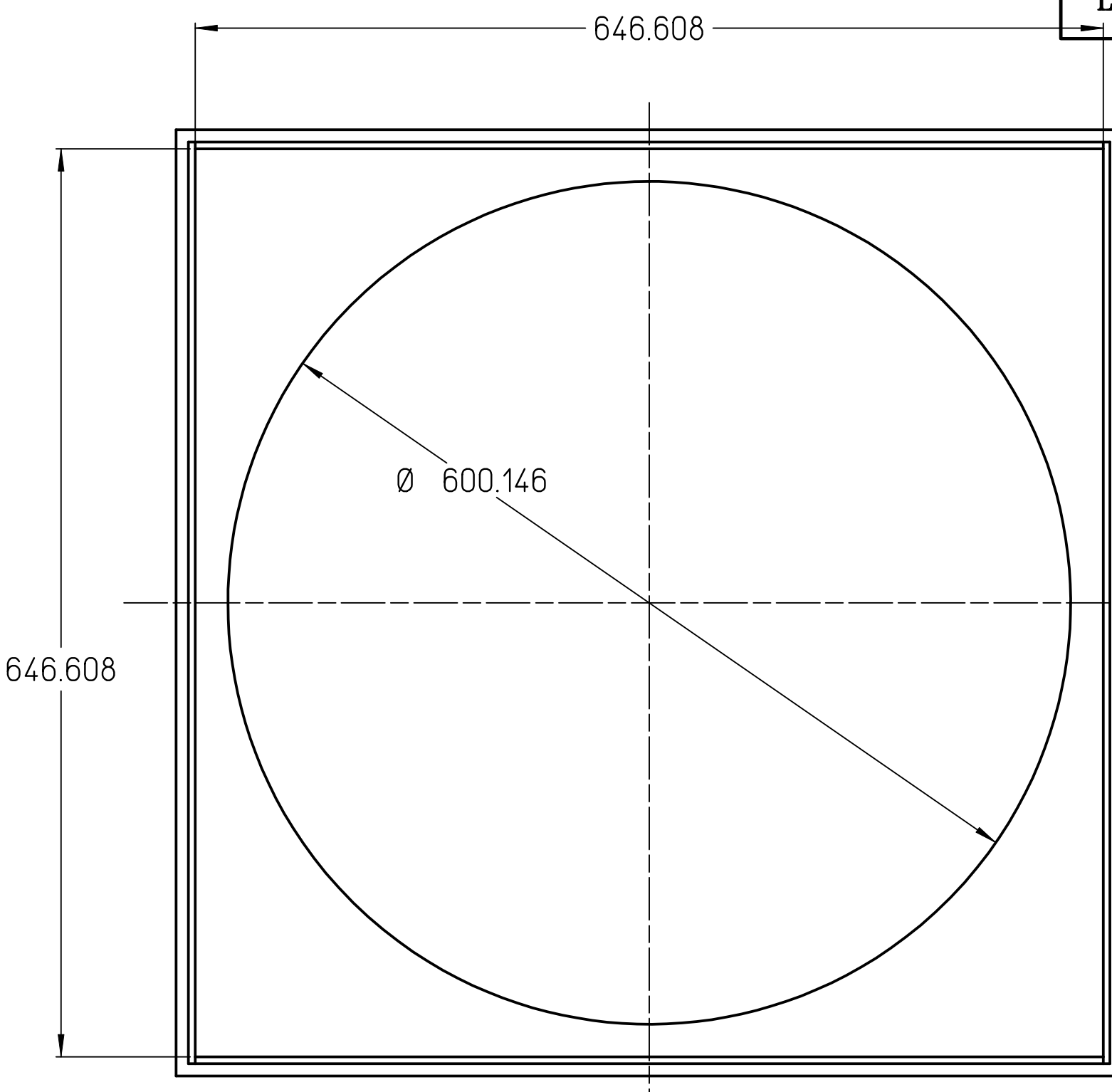
NOTE: POSITIONS ARE IN mm

Point	X	Y	DESCRIPTION
A	0	0	CENTER HALL A
B	656.858	0.000	COLLIMATOR SPOOLPIECE ENTRANCE
C	804.359	0.000	COLLIMATOR SPOOLPIECE INCREASED DIAMETER RING
D	1067.938	0.000	COLLIMATOR ENTRANCE
E	1208.654	0.000	COLLIMATOR EXIT
F	1350.640	0.000	Q1 ENTRANCE
G	2070.640	0.000	Q1 CENTER
H	3004.640	0.000	Q1 EXIT
J	3144.640	0.000	Q2 ENTRANCE
K	4620.640	0.000	Q2 CENTER
L	6096.640	0.000	Q2 EXIT

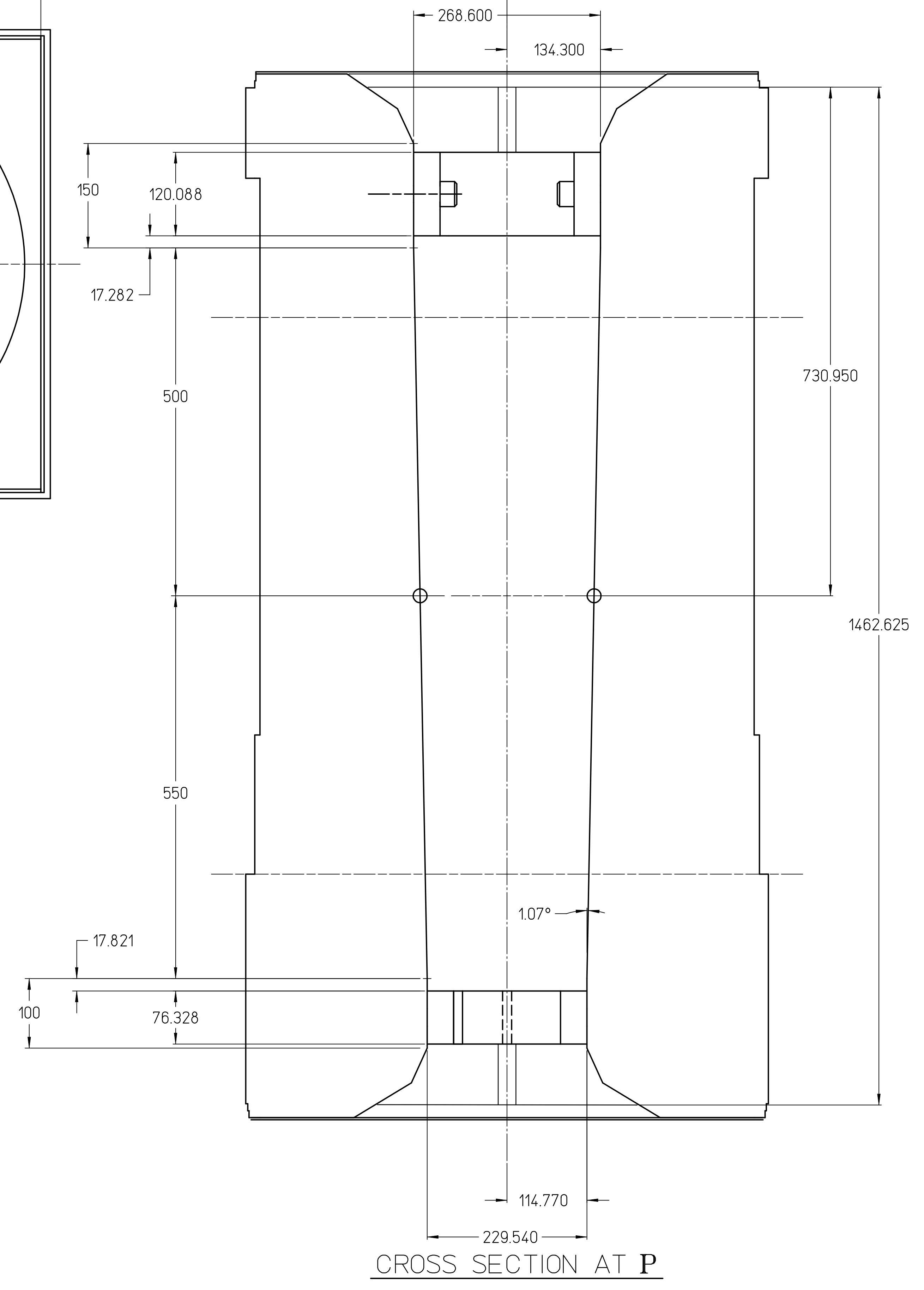
Point	X	Y	DESCRIPTION
M	6418.000	0.000	Q2 TO DIPOLE TRANSITION END OF BELLOWS
N	8194.887	0.000	Q2 TO DIPOLE TRANSITION EXIT
P	9961.000	0.000	DIPOLE ENTRANCE
Q	15900.693	2460.307	DIPOLE EXIT
R	16533.557	3093.175	DIPOLE TO Q3 TRANSITION ENTRANCE
S	16630.247	3189.862	Q3 ENTRANCE
T	17673.937	4233.552	Q3 CENTER
U	18717.626	5277.241	Q3 EXIT
V	18903.966	5463.582	Q3 TO WINDOW TRANSITION END OF BELLOWS
W	20651.122	7210.738	DETECTOR WINDOW
X	9961.000	8400.000	CENTER DIPOLE RADIUS



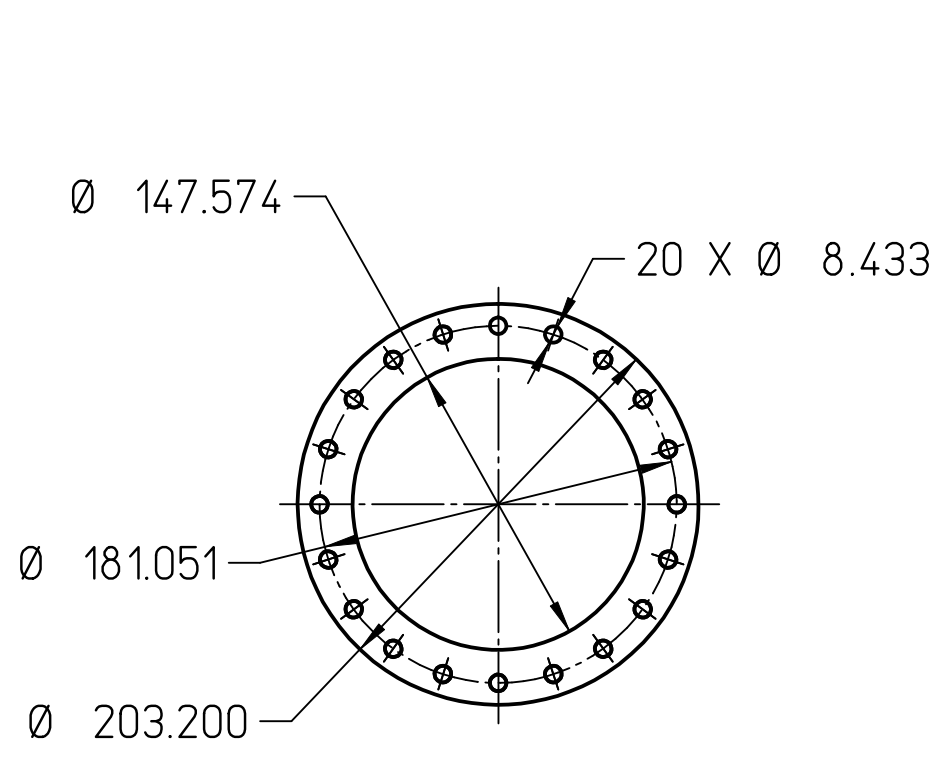
HADRON ARM SHOWN
ELEVATION VIEW
SCALE 1:60



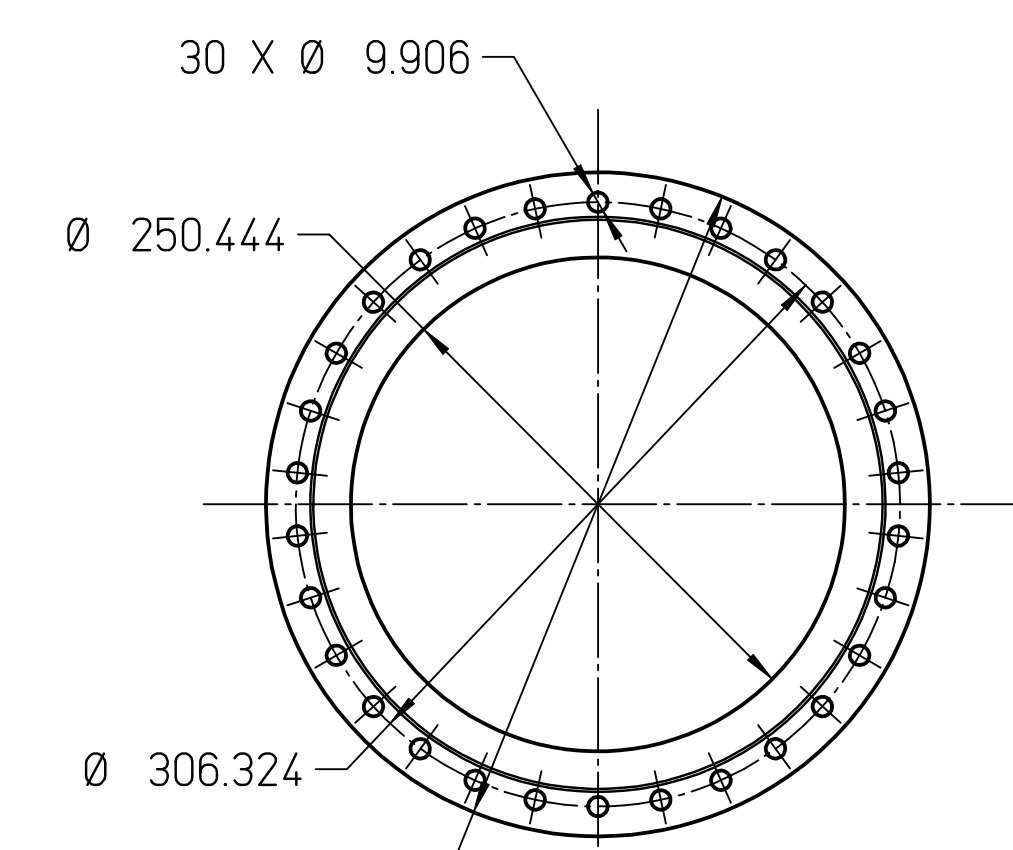
CROSS SECTION AT M



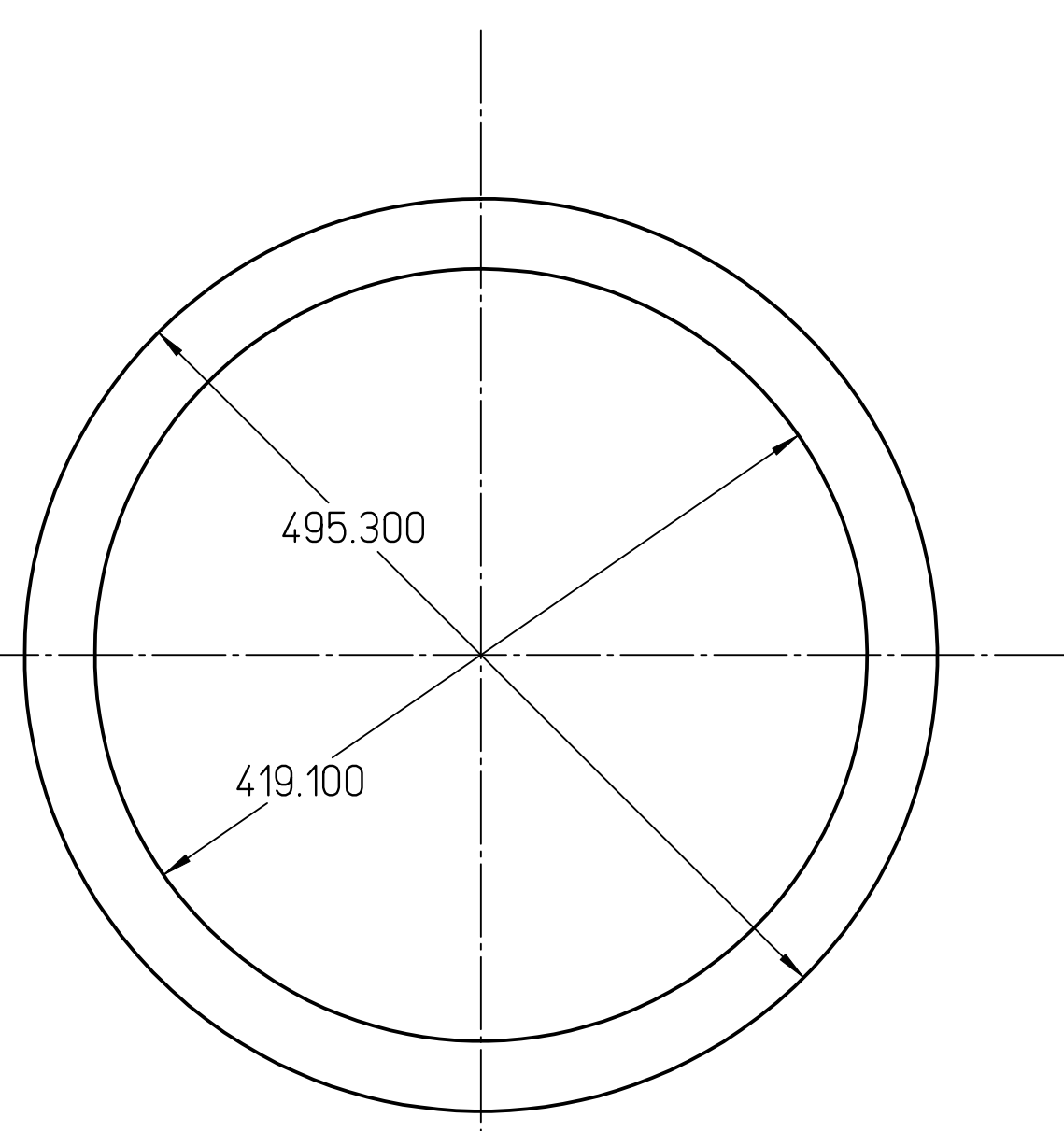
CROSS SECTION AT P



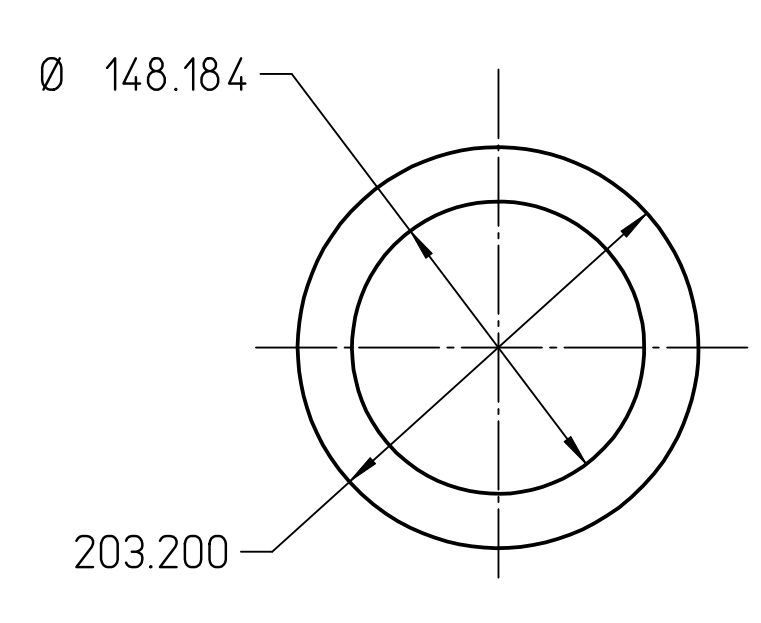
CROSS SECTION AT B



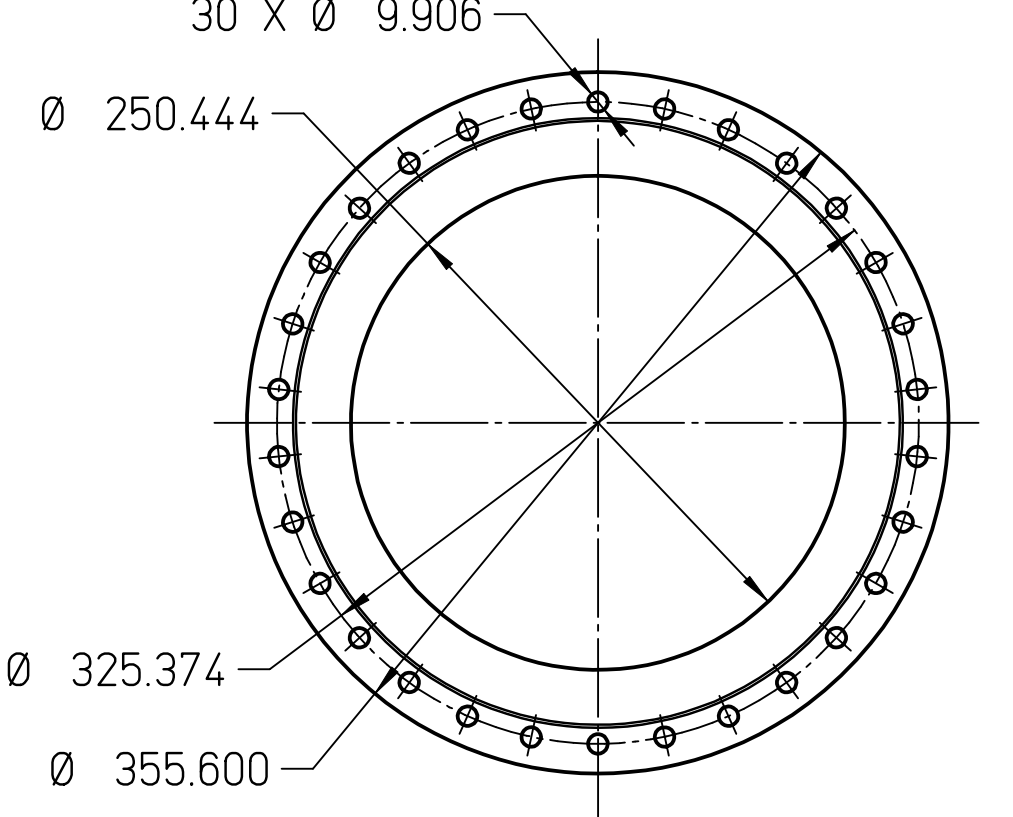
CROSS SECTION AT E



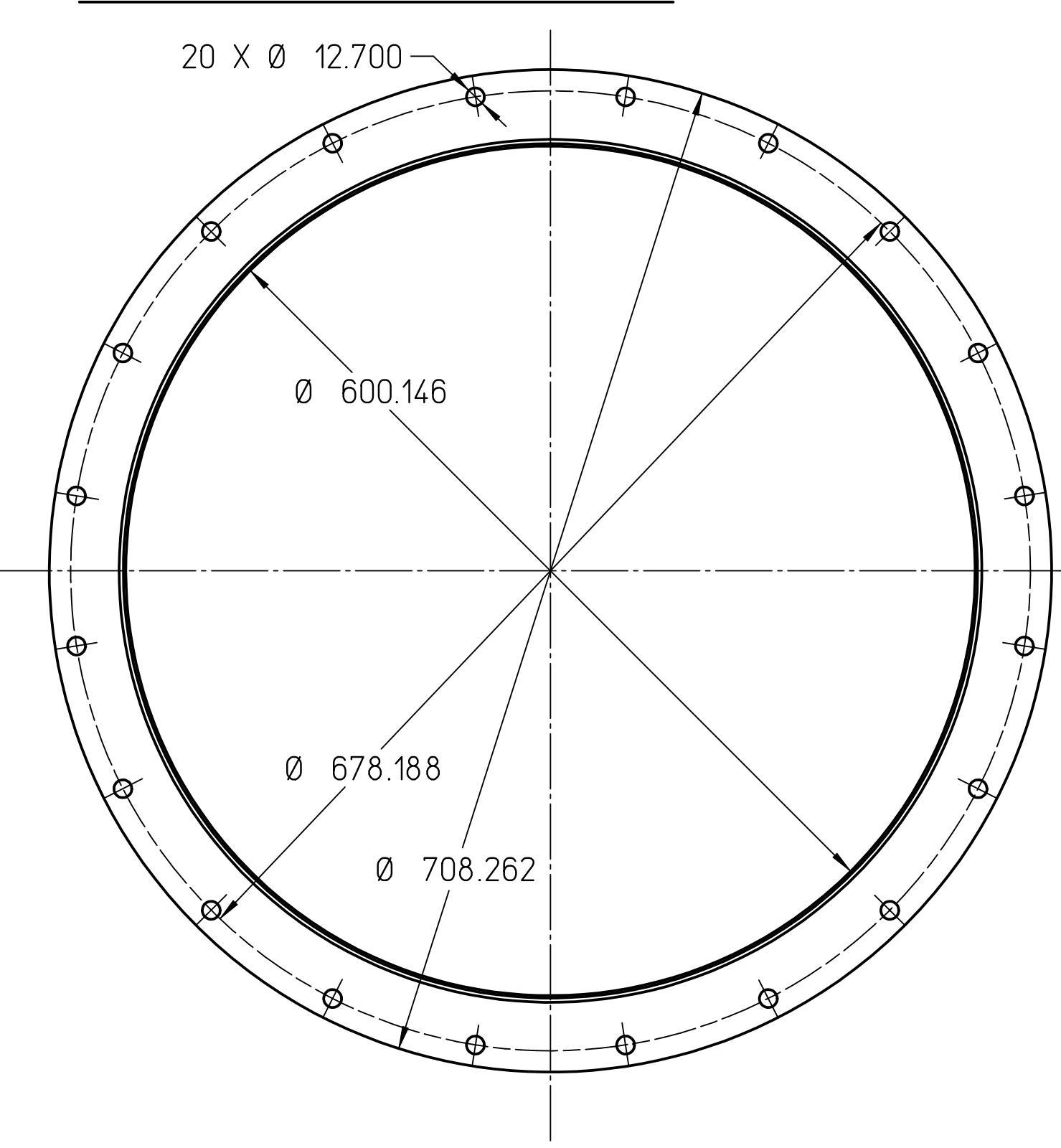
CROSS SECTION AT J



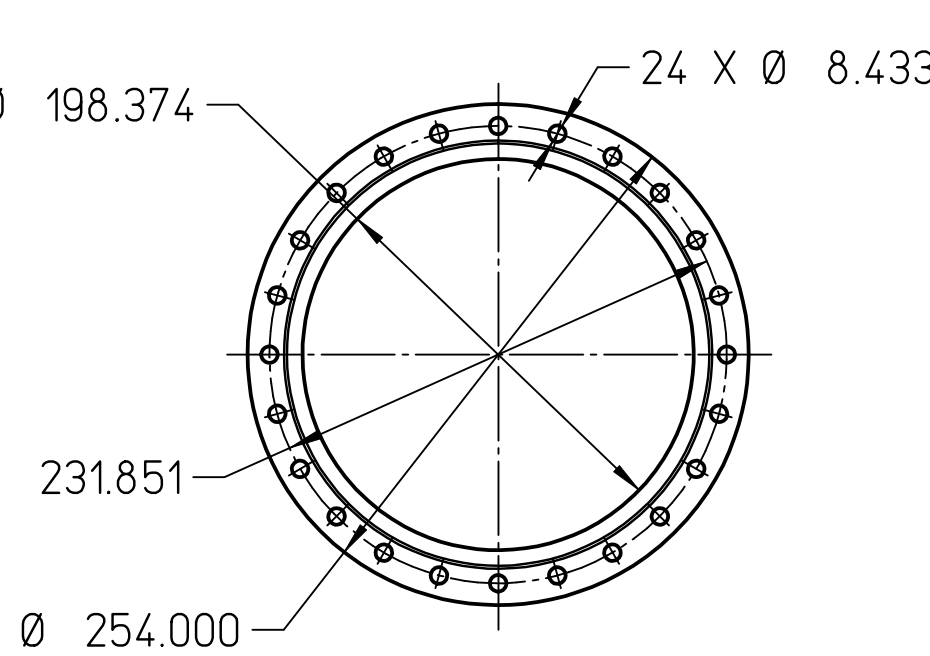
CROSS SECTION AT C



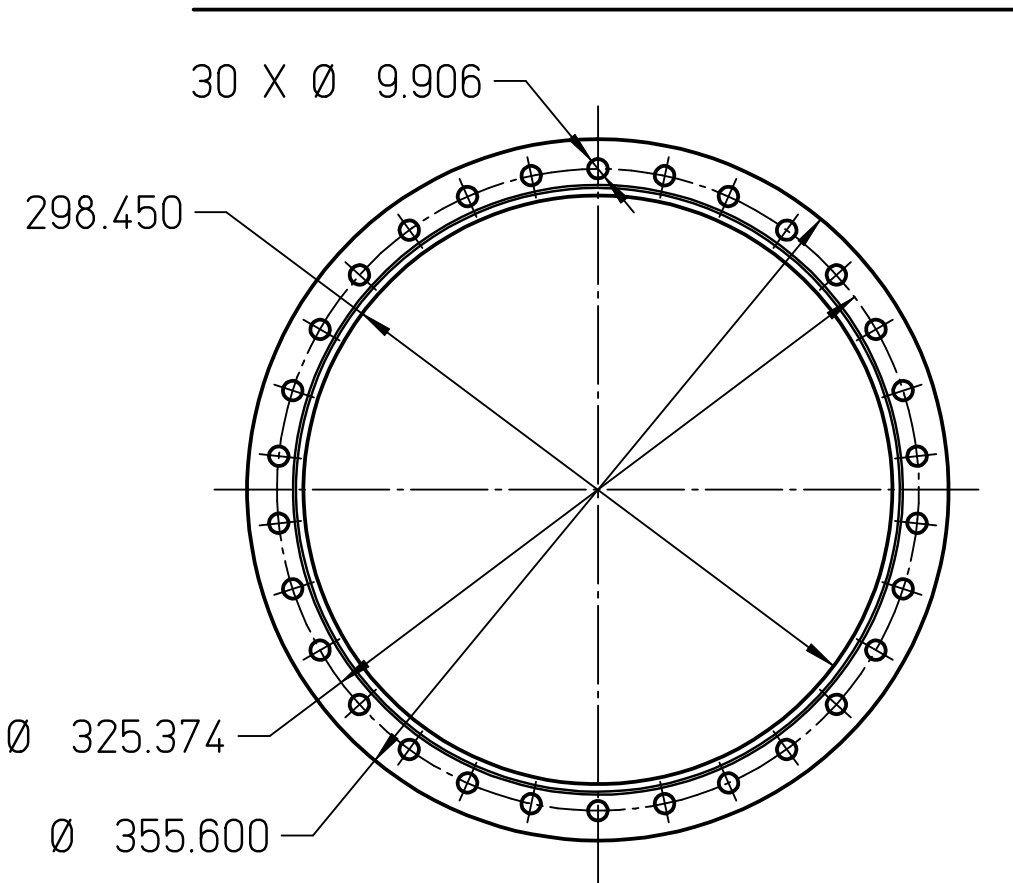
CROSS SECTION AT F



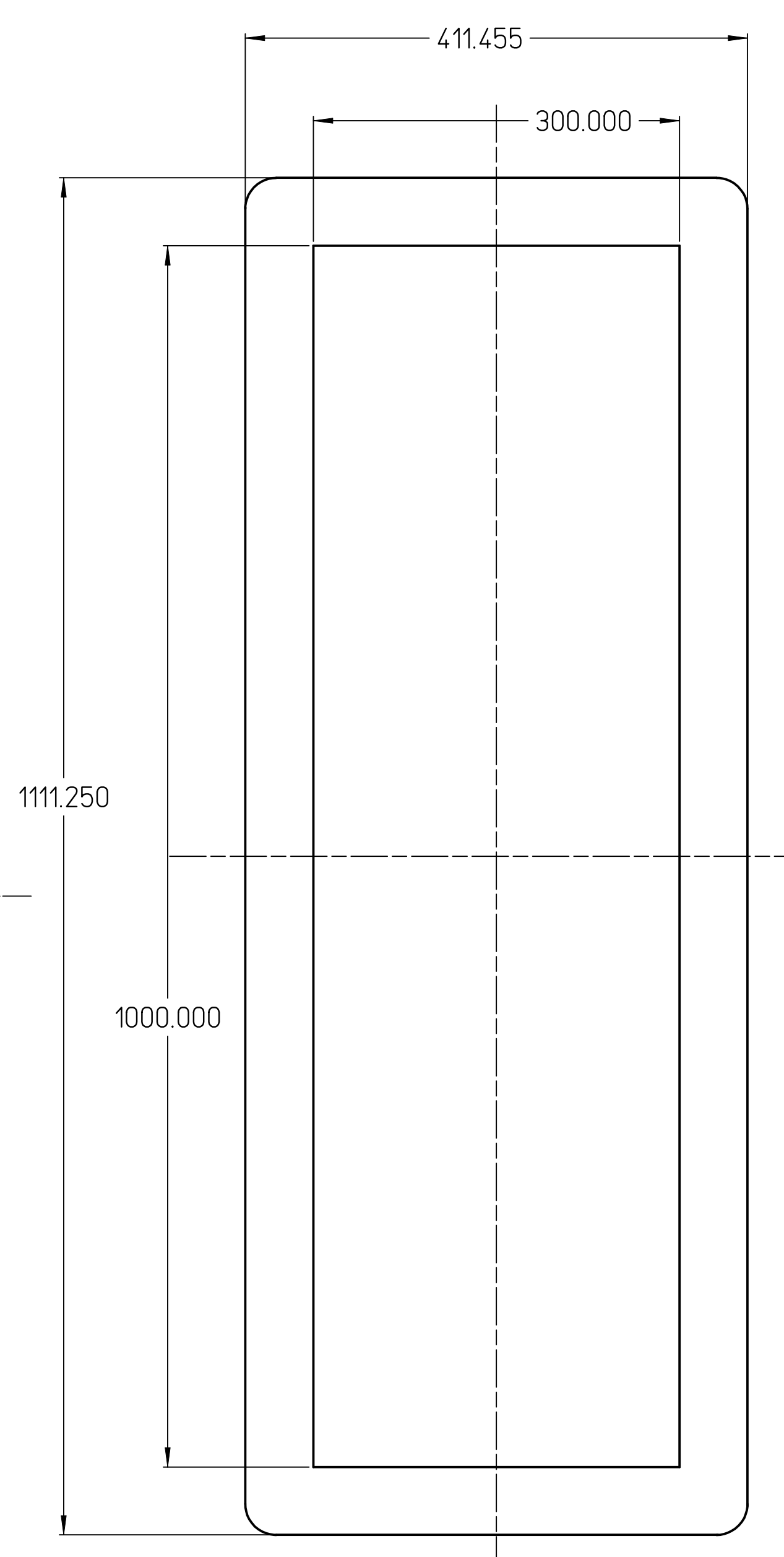
CROSS SECTION AT L



CROSS SECTION AT D



CROSS SECTION AT H

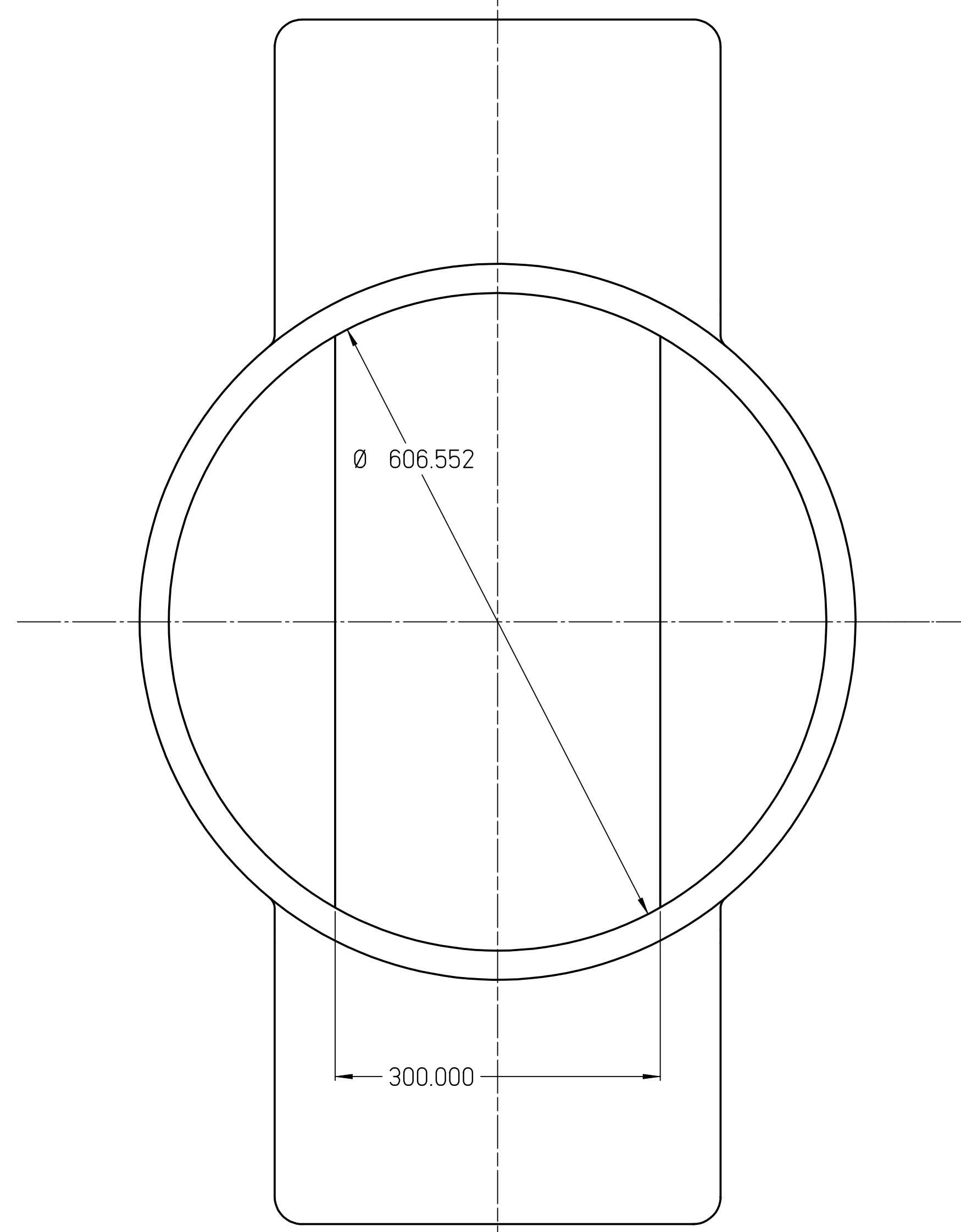


CROSS SECTION AT N

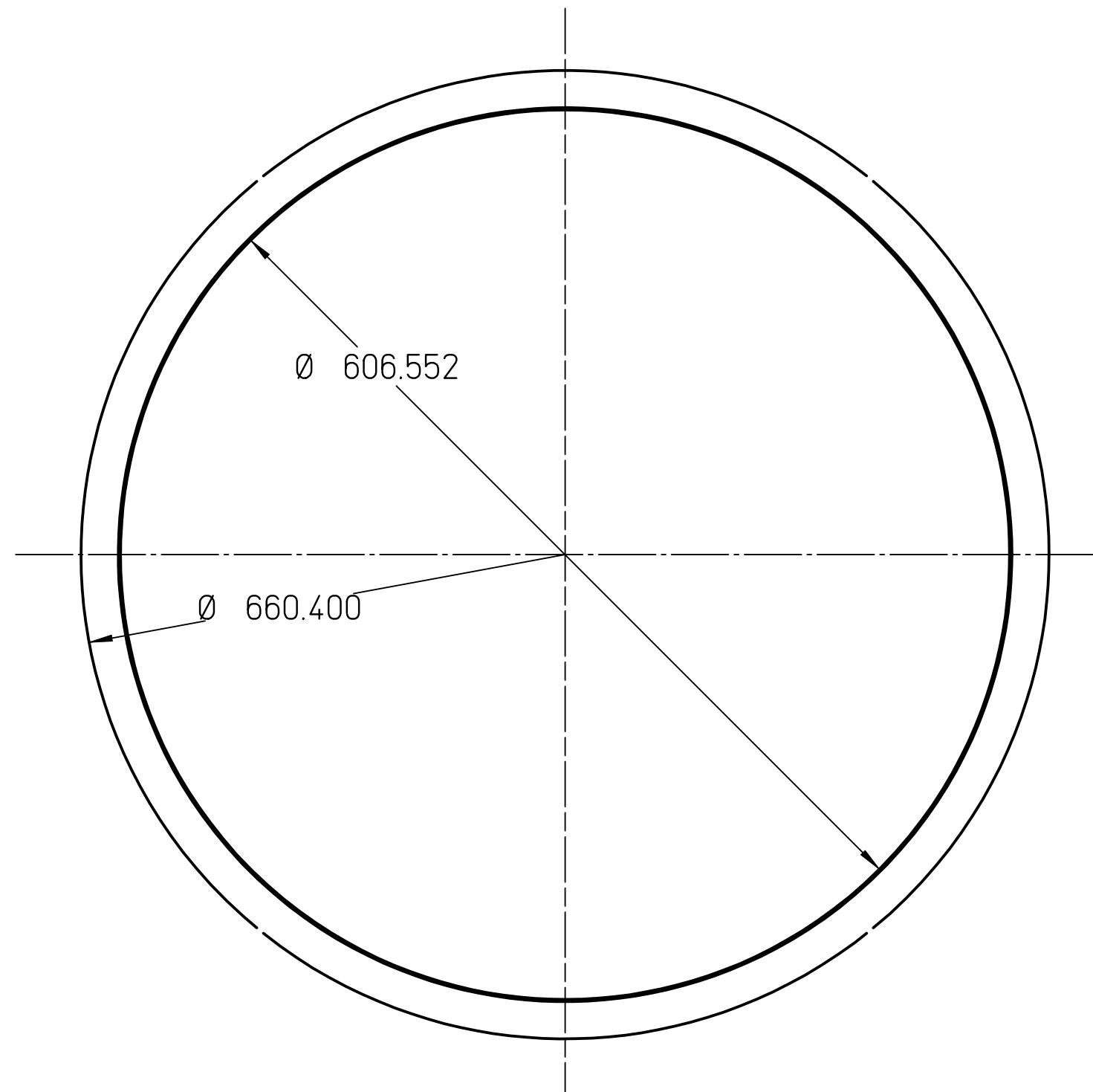
QTY	ITEM	PART OR IDENTIFYING NO.	NOMENCLATURE OR DESCRIPTION	MATERIAL SPECIFICATION	NOTES

DIM & TOL PER ANSI Y14.5 UNLESS OTHERWISE SPECIFIED DIMENSIONS ARE IN INCHES TOLERANCES ARE: FRACTIONS DECIMAL ANGLES * XX ± * XXX ± *	PADD 10, NO. 17010.d/e00.sh1-	Thomas Jefferson National Accelerator Facility NEWPORT NEWS, VIRGINIA UNITED STATES DEPARTMENT OF ENERGY
MATERIAL N/A	DRAWN J. MILLER	DATE 2/24/97
FINISH N/A UNLESS OTHERWISE NOTED	APPROVED	SIZE/DWG. NO. E 65410-E-17010-00
DO NOT SCALE DRAWING	APPROVED	USED ON ASSY NO. SHEET 1 OF 2

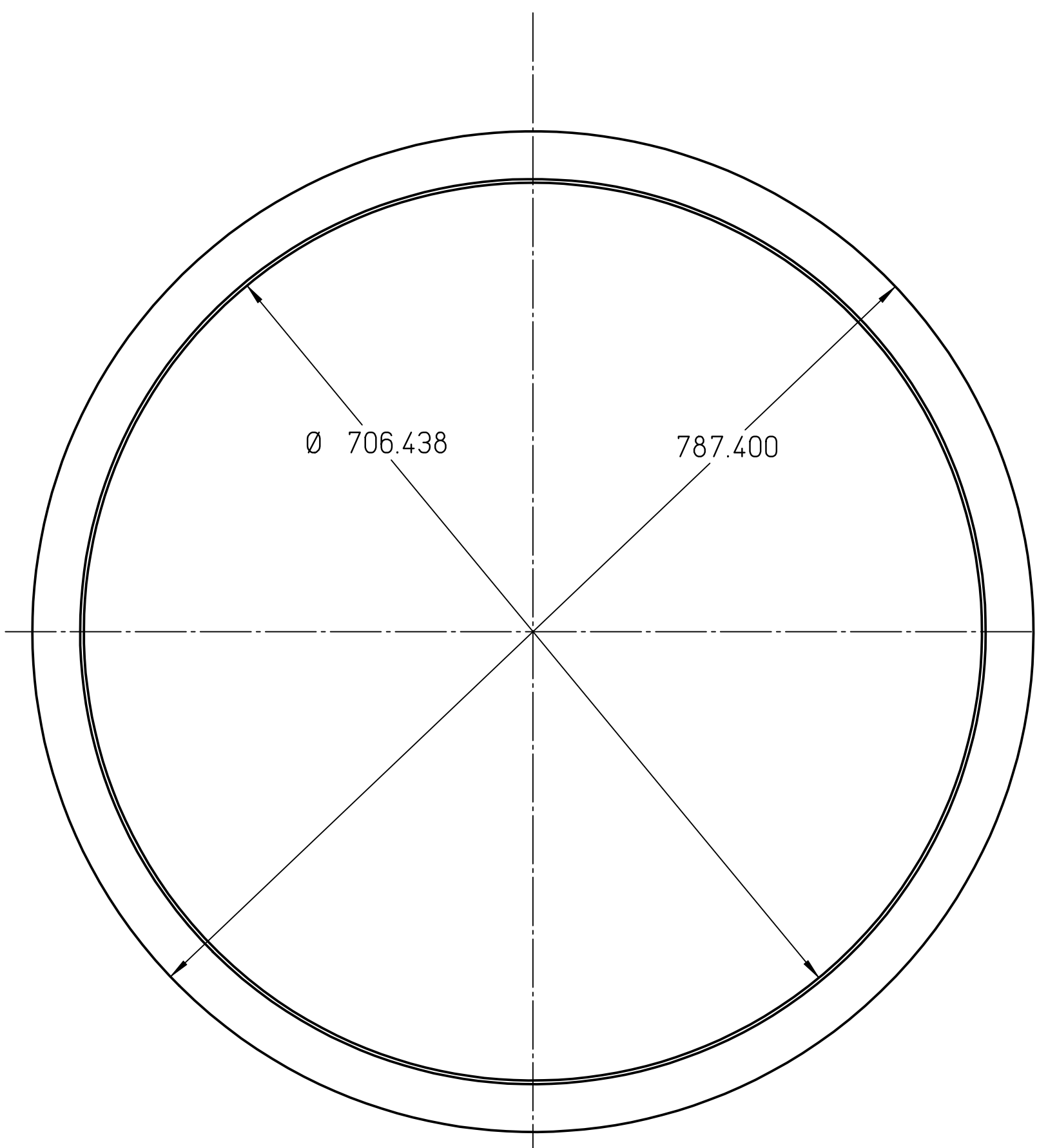
REVISIONS				
ZONE	REV.	DESCRIPTION	DATE	APPROVED



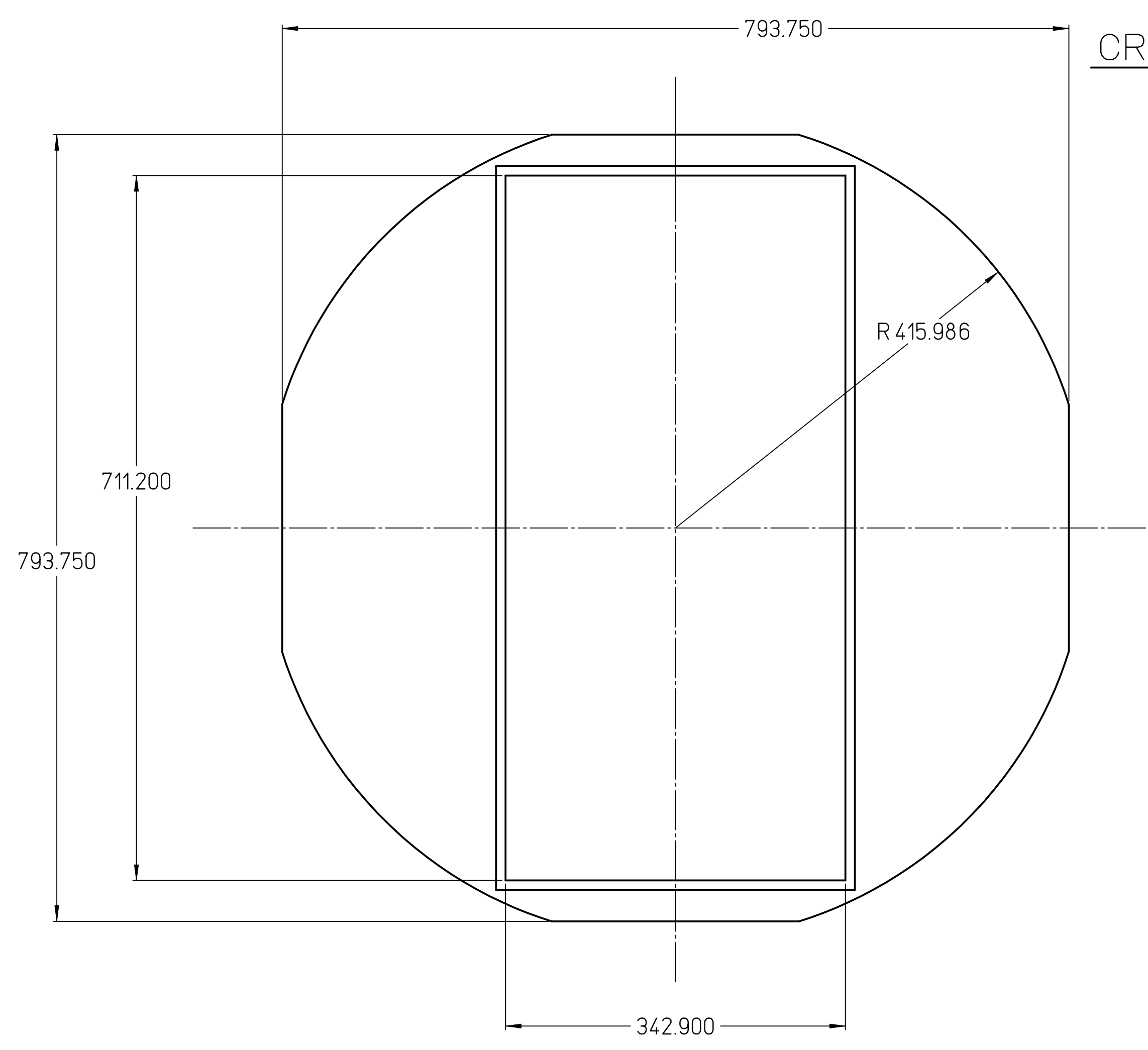
CROSS SECTION AT R



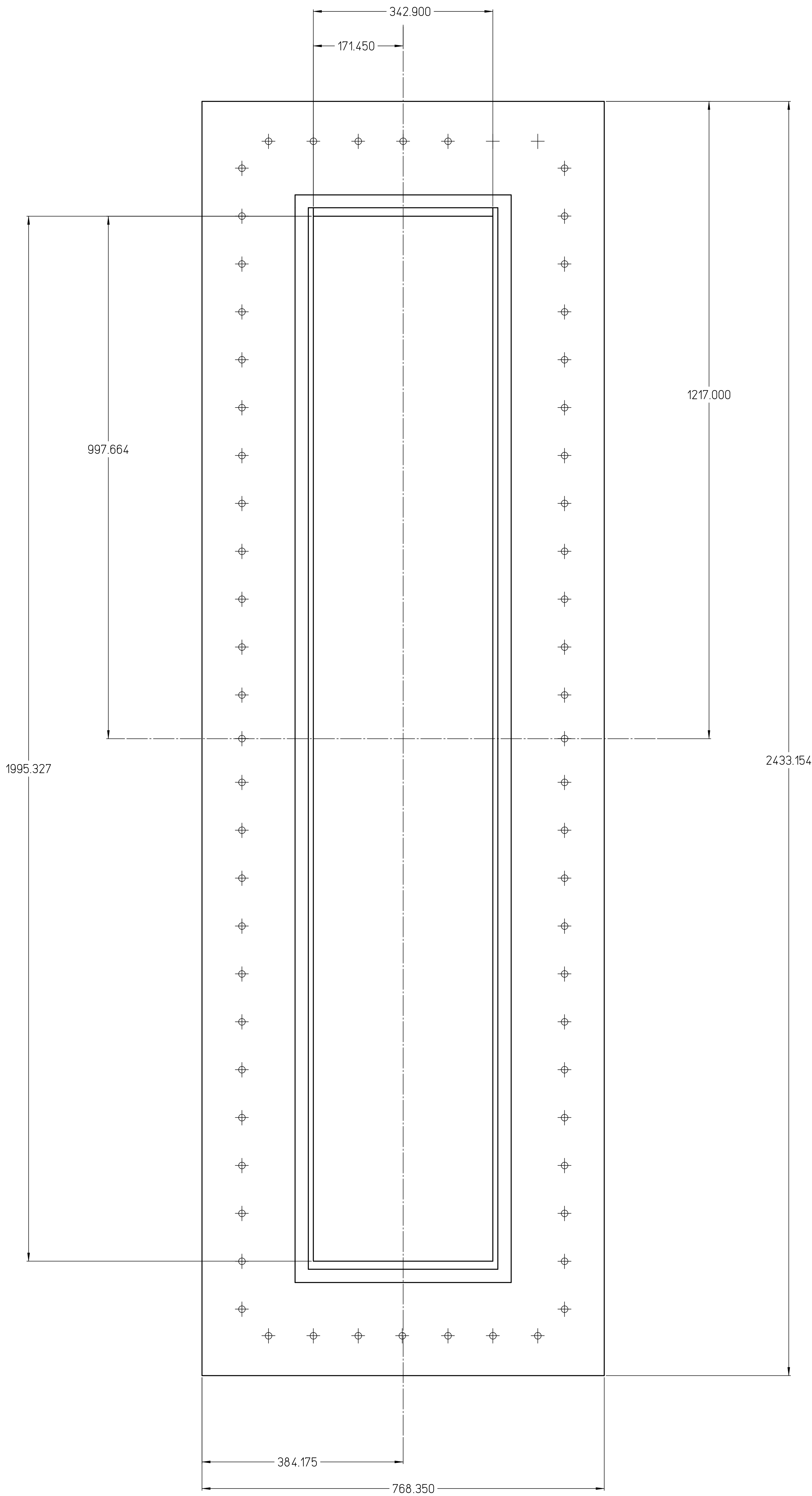
CROSS SECTION AT S



CROSS SECTION AT U



CROSS SECTION AT V



CROSS SECTION AT W

QTY	ITEM	PART OR IDENTIFYING NO.	NOMENCLATURE OR DESCRIPTION	MATERIAL SPECIFICATION	NOTES
PARTS LIST					
DIM & TOL PER ASSY YLS UNLESS OTHERWISE SPECIFIED DIMENSIONS ARE IN INCHES TOLERANCES ARE: FRACTIONS DECIMAL ANGLES		CADD ID. NO. 17010.d/e00.sh1-		Thomas Jefferson National Accelerator Facility NEWPORT NEWS, VIRGINIA UNITED STATES DEPARTMENT OF ENERGY	
MATERIAL		APPROVALS		DATE	
N/A		J. MILLER		2/24/97	
FINISH		APPROVED		SIZE/DWG. NO.	
N/A UNLESS OTHERWISE NOTED		APPROVED		E 65410-E-17010-00	
DEBURR & BREAK ALL SHARP EDGES		APPROVED		SCALE 1:4 USED ON ASSY NO. SHEET 2 OF 2	
DO NOT SCALE DRAWING					

DWG NO. 65410-E-17010-00 SH. 2 REV. 1