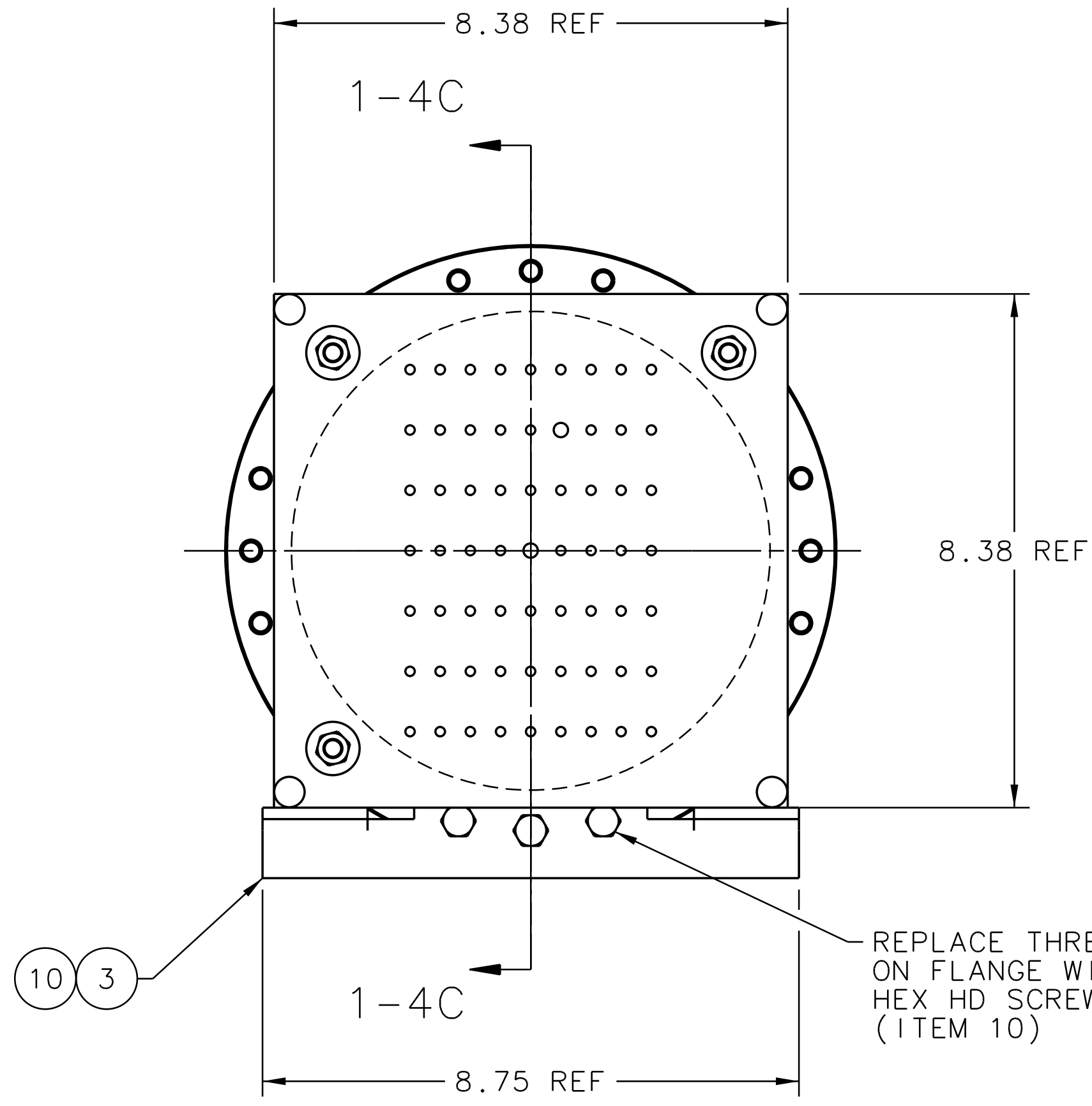
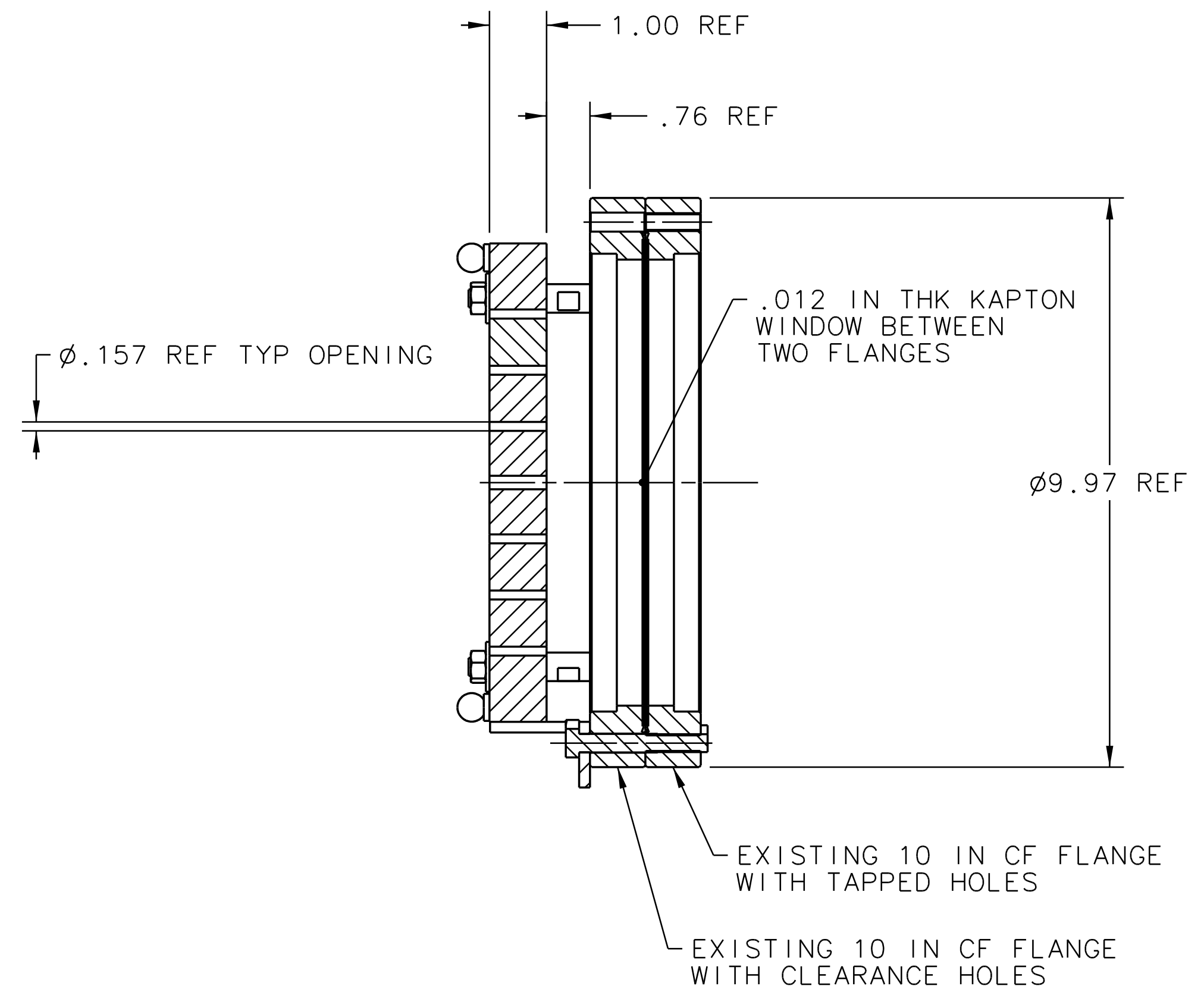


REVISION HISTORY				
ZONE	REV	DESCRIPTION	DATE	APPROVED



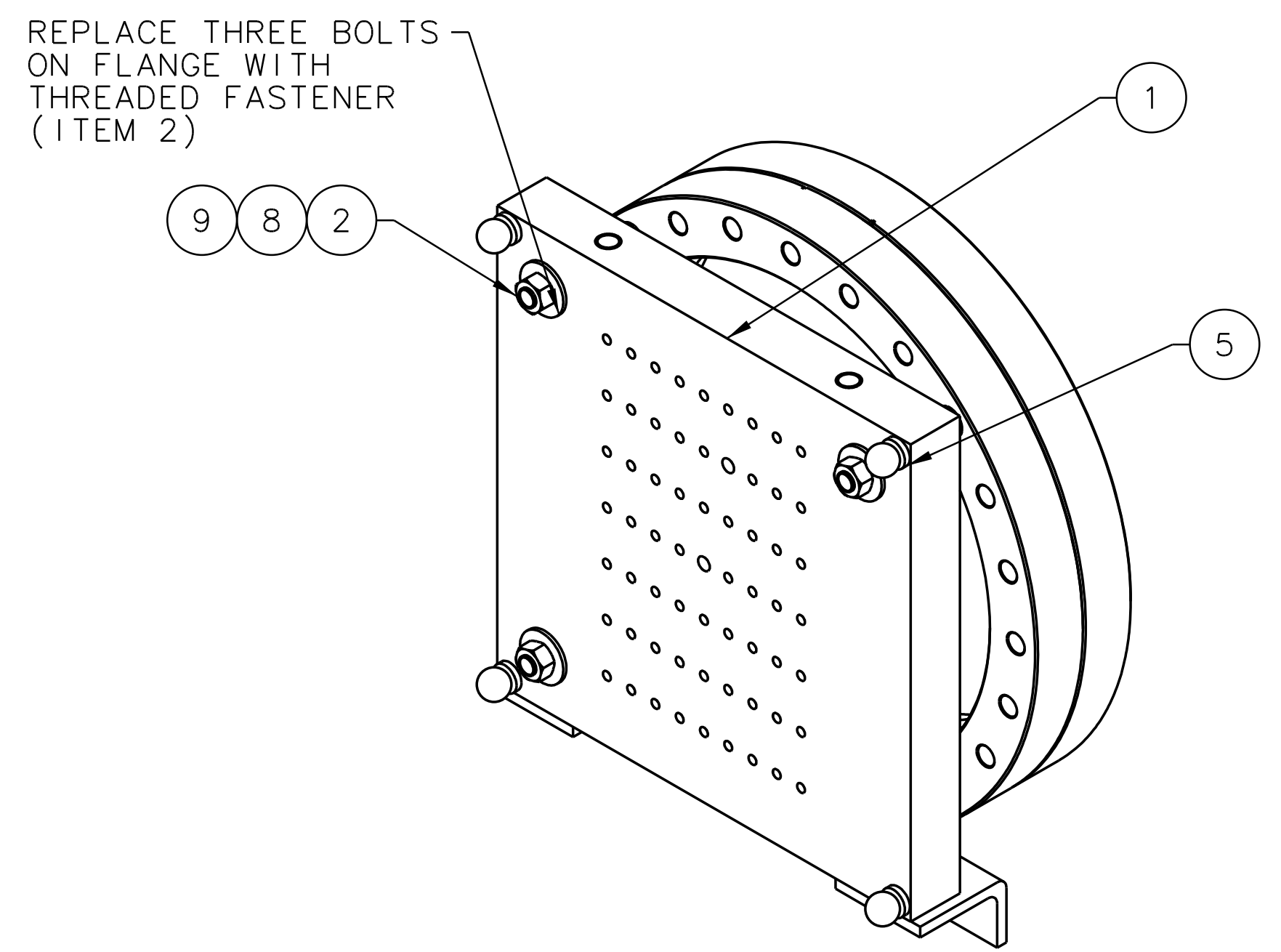
FRONT VIEW 1-7C

REPLACE THREE BOLTS ON FLANGE WITH HEX HD SCREW (ITEM 10)



SECT VIEW 1-4C

NOTES:
1. APPROX. WEIGHT 64 LBS.



ISO VIEW 1-7A

QTY REQD	ITEM NO.	PART OR IDENTIFYING NO.	NOMENCLATURE OR DESCRIPTION	MATERIAL SPECIFICATION	NOTES
3	10	FASTENAL 77062 OR EQUIV	SCREW, HEX HEAD 5/16-18 UNC X 2.25 IN LG	STAINLESS STEEL	-
3	9	FASTENAL 77711 OR EQUIV	HEX NUT 5/16-18 UNC	STAINLESS STEEL	-
3	8	FASTENAL 78015 OR EQUIV	WASHER 5/16 NOM DIA	STAINLESS STEEL	-
-	7	-	-	-	-
-	6	-	-	-	-
4	5	McMASTER CARR 31325A27 OR EQUIV	SHOULDER TOOLING BALL 1/2 IN BALL, 1/4 IN SHANK	HEAT-TREATED, HARDENED & GROUND STEEL	-
-	4	-	-	-	-
1	3	A07108-15-01-0403	NEW SQ ANGLE SHELF	ALUMINUM	-
3	2	A07108-15-01-0402	THREADED FSTNR FOR NEW SQ	STAINLESS STEEL	-
1	1	A07108-15-01-0401	NEW SQ COLLIMATOR SIEVE	TUNGSTEN	-

DOCUMENT CONTROL STAMP	DIM & TOL PER ASME Y14.5 UNLESS OTHERWISE SPECIFIED DIMENSIONS ARE IN INCHES FRACTIONS DECIMAL ANGLES ± N/A .XX ± .01 .XXX ± .005 ± .50°	TRACKING NO. N/A	United States Department of Energy
MATERIAL SEE PARTS LIST	THIRD ANGLE PROJECTION	APPROVALS	DATE 150CT14
FINISH MACHINED SURFACES DEBURR & BREAK ALL SHARP EDGES		DRAWN J. MILLER	CHECKED
DO NOT SCALE DRAWING		APPROVED	APPROVED
		APPROVED	APPROVED
		SCALE 1:2	USED ON ASSY NO. - SHEET 1 OF 1

Jefferson Lab
Thomas Jefferson National Accelerator Facility
Newport News Virginia

HALL A - EXP 07108 GMP
SPECTROMETER - COLLIMATOR/SIEVE
HRS BEAM RIGHT
NEW SQ COLLIMATOR SIEVE ASSY

SIZE DWG. NO. A07108-15-01-0400
REV. -