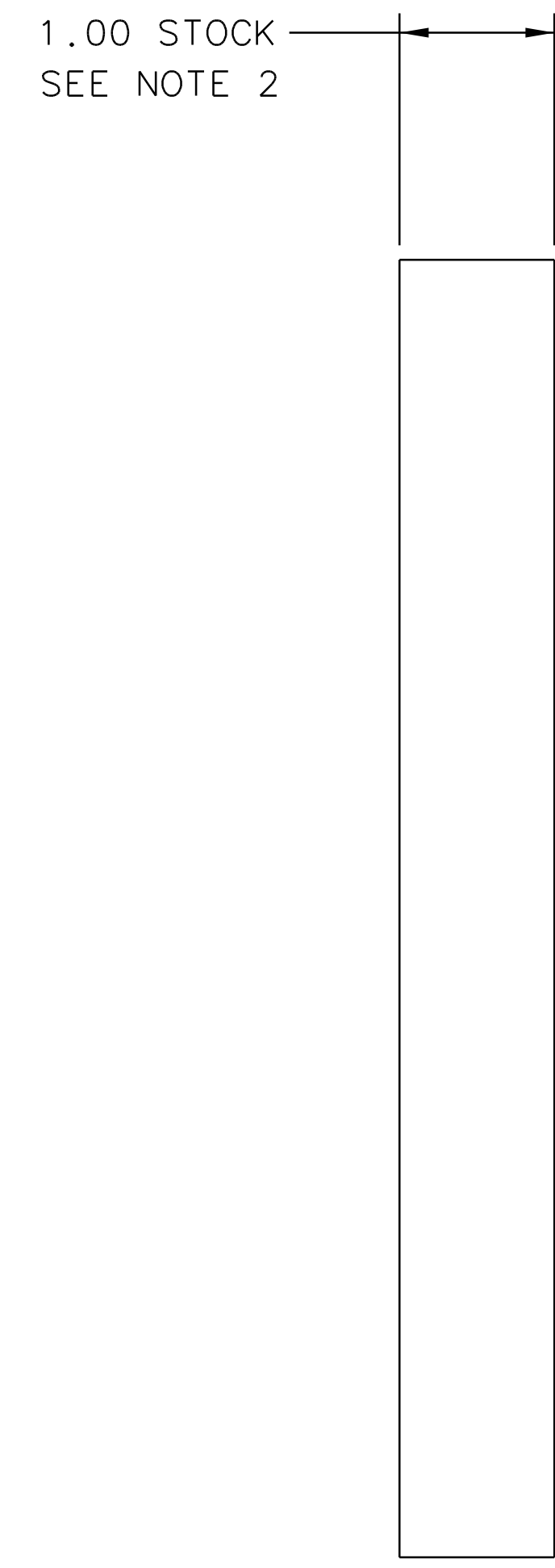
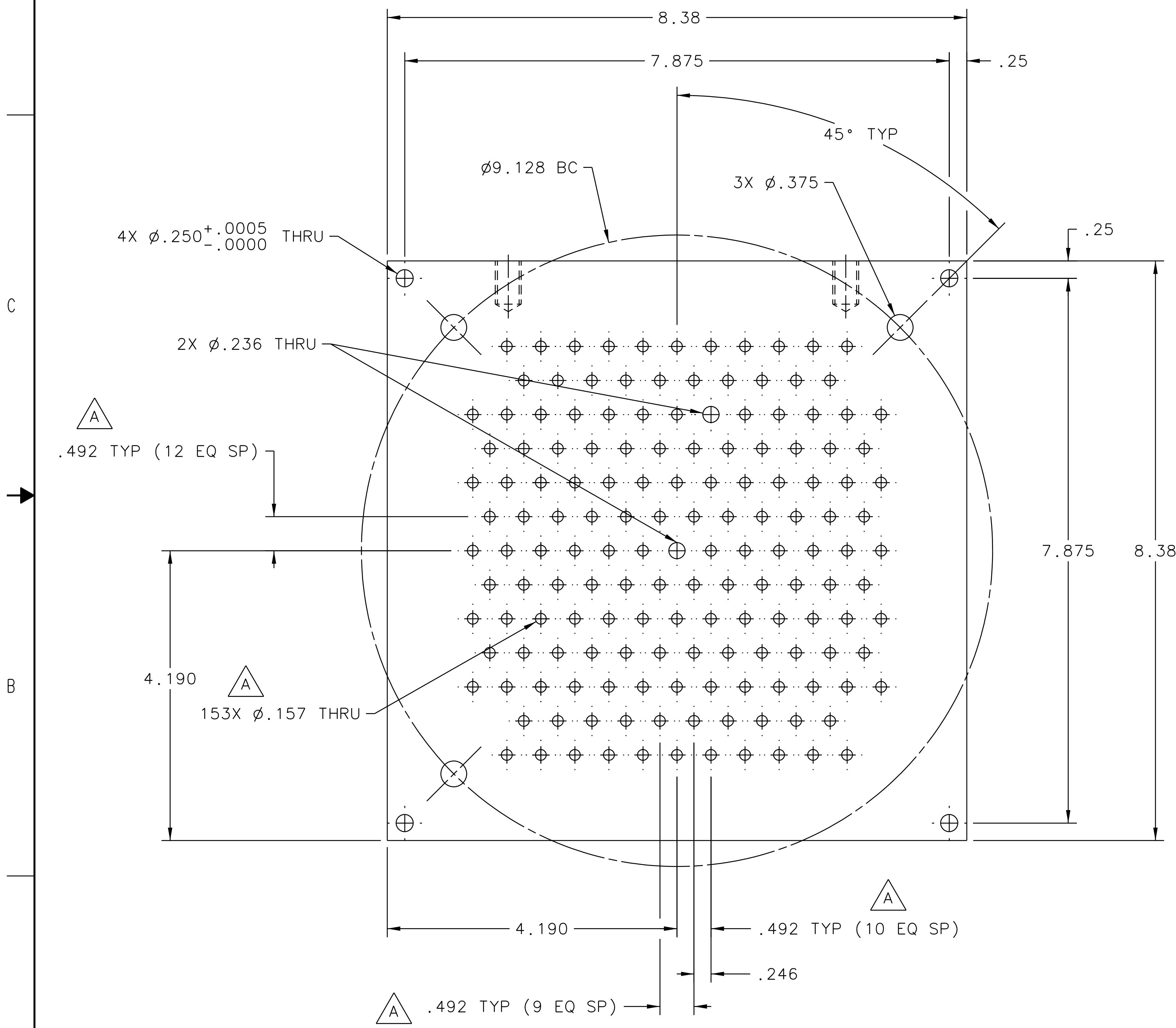
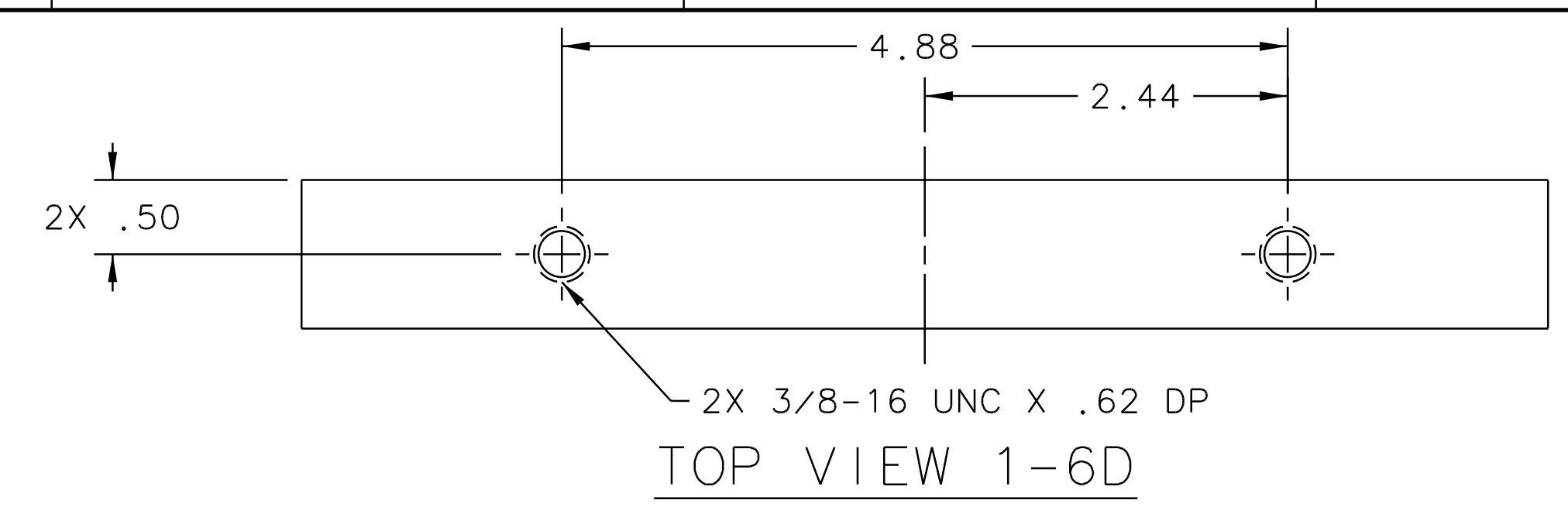


REVISION HISTORY				
ZONE	REV	DESCRIPTION	DATE	APPROVED
1-6B	A	REVISED NUMBER OF HOLES; 153 WAS 54; 10 EQ SP WAS 8 EQ SP; .492 TYP (12 EQ SP) WAS .984 (6 EQ SP); ADDED .492 TYP (9 EQ SP)	11JAN16	MILLER



NOTES:
 1. APPROX. WEIGHT 48 LBS.
 2. STOCK SIZE ACCEPTABLE IF FLAT.
 IF NOT, REMOVE MINIMUM AMOUNT TO MAKE FLAT.

DOCUMENT CONTROL STAMP	DIM & TOL PER ASME Y14.5 UNLESS OTHERWISE SPECIFIED DIMENSIONS ARE IN INCHES TOLERANCES ARE: FRACTIONS DECIMAL ANGLES ± N/A .X ± .1 ± .50° .XX ± .01 .XXX ± .005	TRACKING NO. N/A		United States Department of Energy	 Jefferson Lab Thomas Jefferson National Accelerator Facility Newport News Virginia
		APPROVALS	DATE		
MATERIAL HD 17 TUNGSTEN NON-MAGNETIC	THIRD ANGLE PROJECTION	DRAWN J. MILLER	15OCT14	SIZE D	DWG. NO. A07108-15-01-0401
FINISH MACHINED SURFACES DEBURR & BREAK ALL SHARP EDGES	125 UNLESS OTHERWISE NOTED	CHECKED A. GALVALYA	17OCT14	SCALE 1:1	USED ON ASSY NO: A07108-15-01-0400
DO NOT SCALE DRAWING		APPROVED R. WINES	17OCT14	SHEET 1	OF 1
		APPROVED D. HIGINBOTHAM	17OCT14		