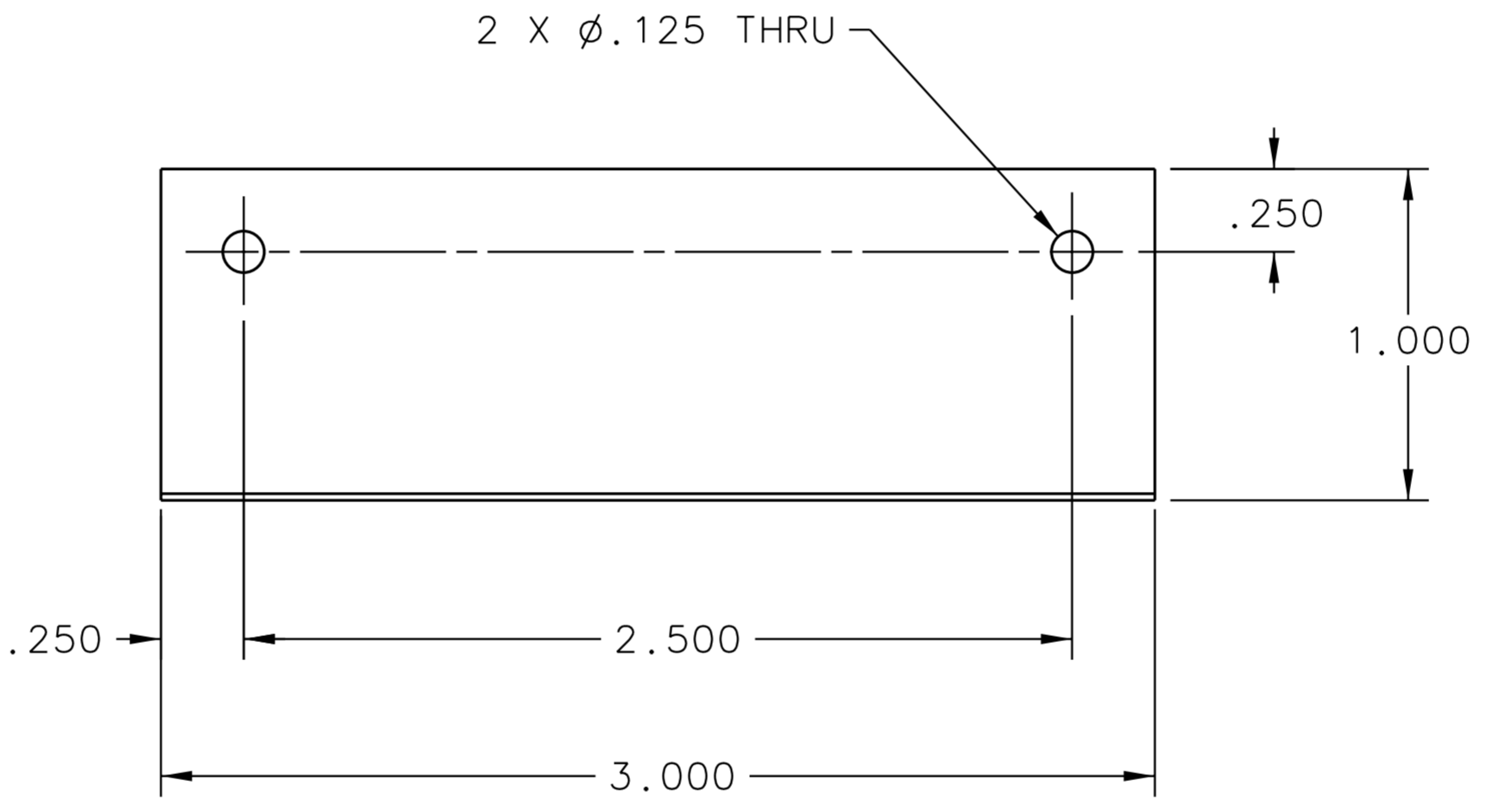
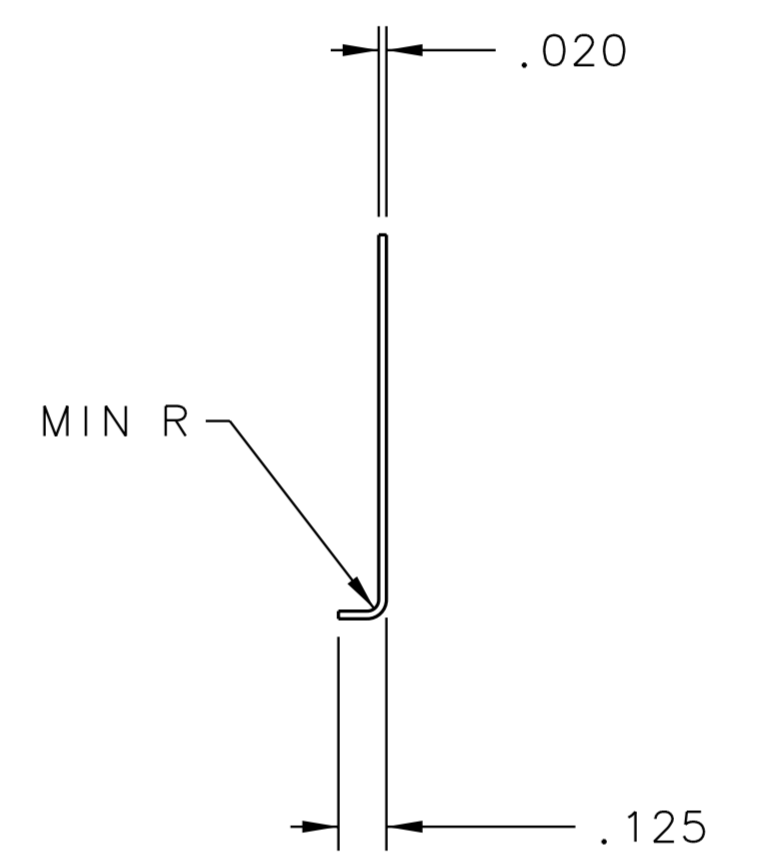



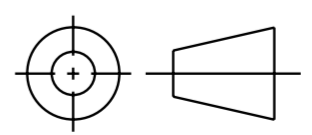
REVISION HISTORY				
ZONE	REV	DESCRIPTION	DATE	APPROVED



FRONT VIEW 1-4B



RT SIDE VIEW 1-2B

DOCUMENT CONTROL STAMP	DIM & TOL PER ASME Y14.5 UNLESS OTHERWISE SPECIFIED DIMENSIONS ARE IN INCHES TOLERANCES ARE: FRACTIONS DECIMAL ANGLES ± N/A .X ± .1 ± .50° .XX ± .01 .XXX ± .005	TRACKING NO. N/A		 Thomas Jefferson National Accelerator Facility NEWPORT NEWS, VIRGINIA UNITED STATES DEPARTMENT OF ENERGY HALL A - HE3HE4 TARGET - TARGET CELL FRONT BOLT COLL WLDMNT ATTACHMENT PLATE	
		APPROVALS	DATE		
MATERIAL STAINLESS STEEL	THIRD ANGLE PROJECTION	DRAWN J. MILLER	08SEP06	SIZE DWG. NO. C A04018-03-01-0602	REV. -
FINISH MACHINED SURFACES UNLESS OTHERWISE NOTED DEBURR & BREAK ALL SHARP EDGES		CHECKED R. ANIMAGALLA	27SEP06		SCALE 2:1 USED ON ASSY NO. A04018-03-01-0600 SHEET 1 OF 1
DO NOT SCALE DRAWING		APPROVED J. GOMEZ	27SEP06		
		APPROVED A. CAVALYA	27SEP06		