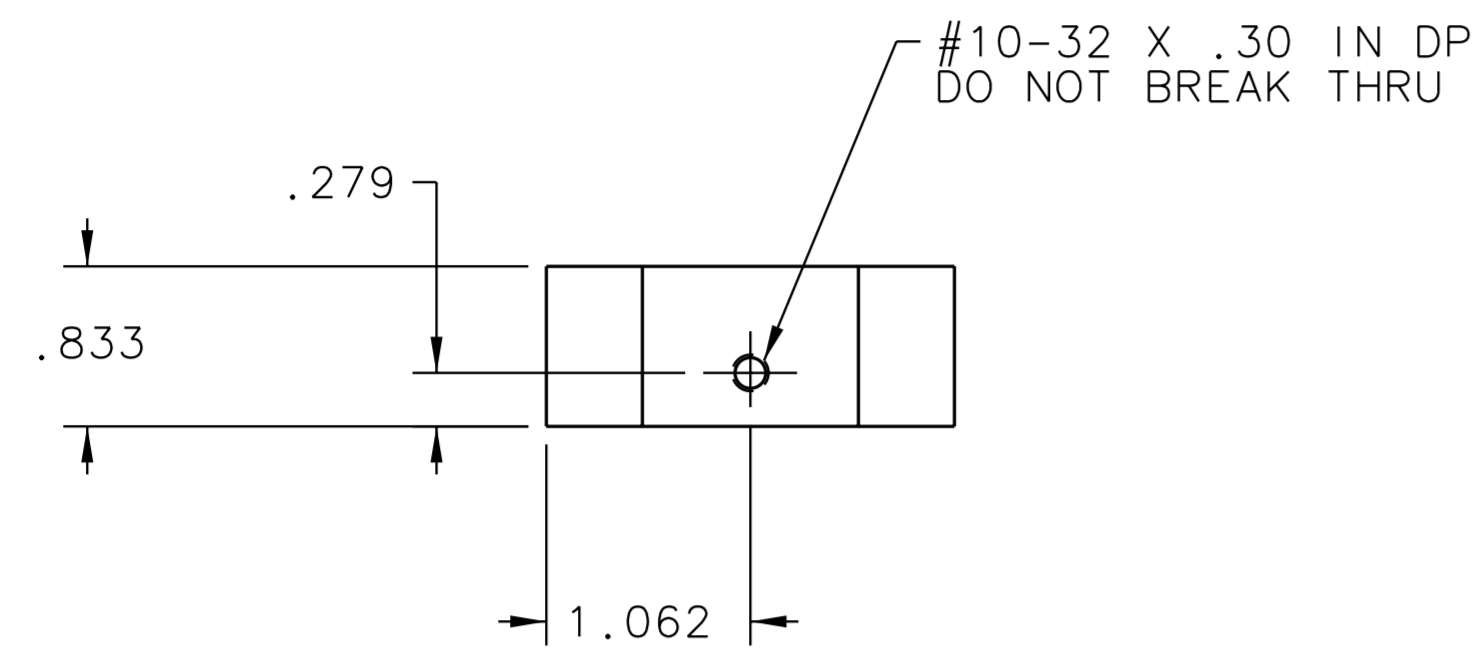
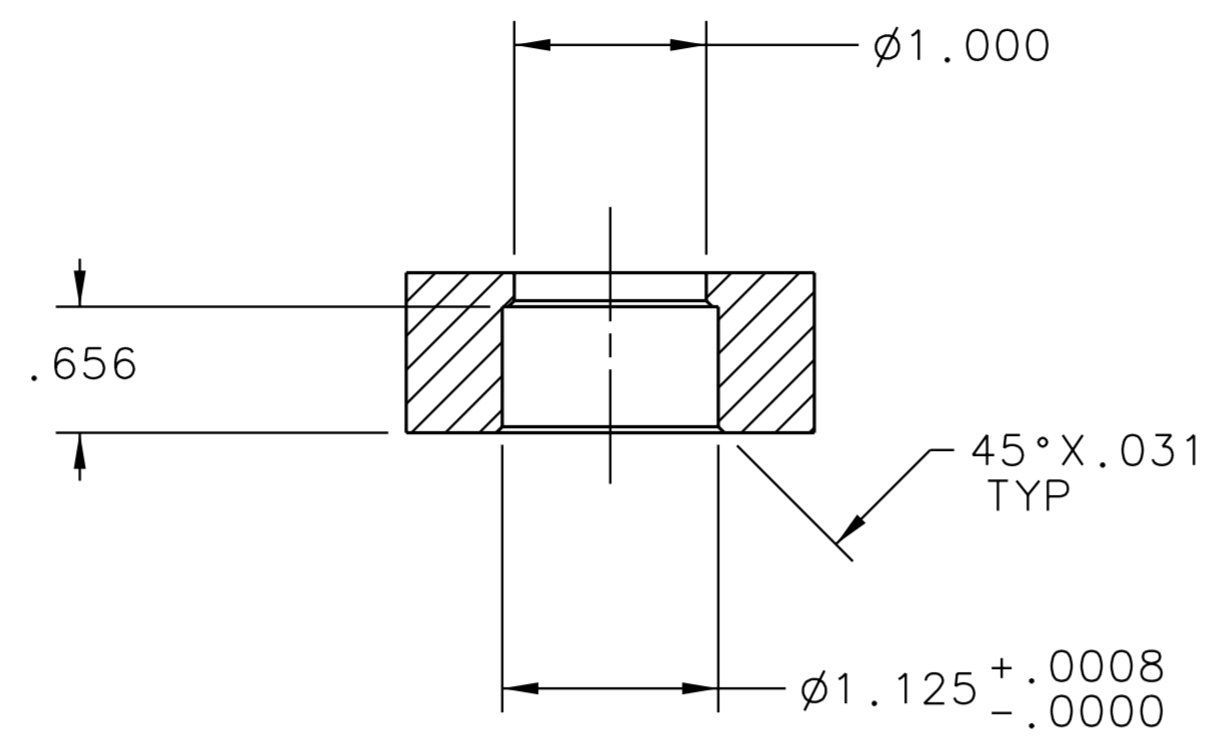


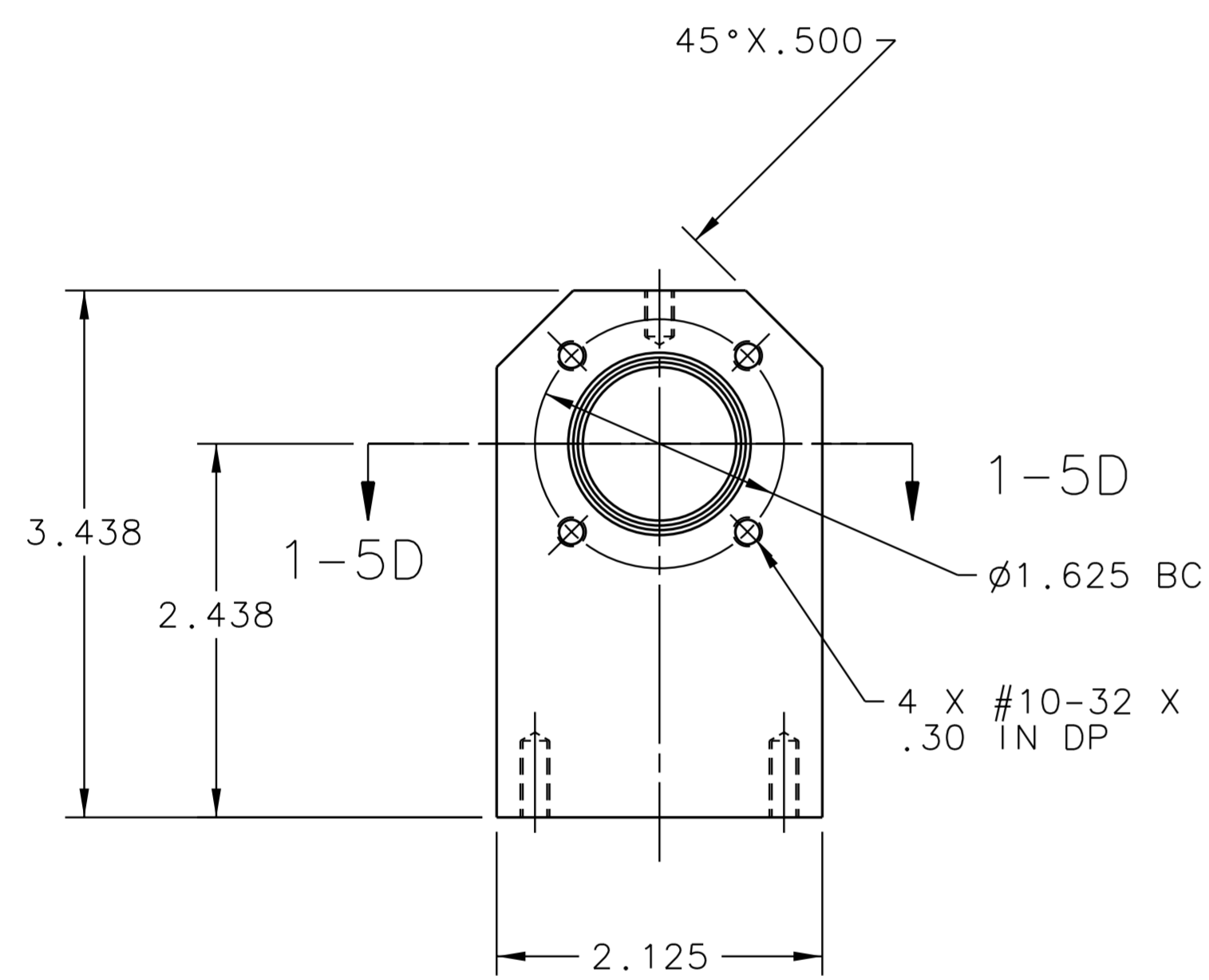
REVISION HISTORY				
ZONE	REV	DESCRIPTION	DATE	APPROVED



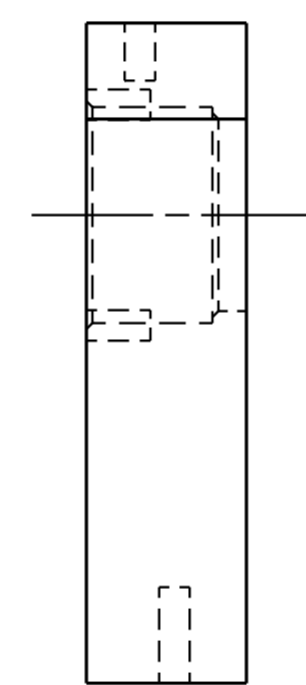
TOP VIEW 1-7D



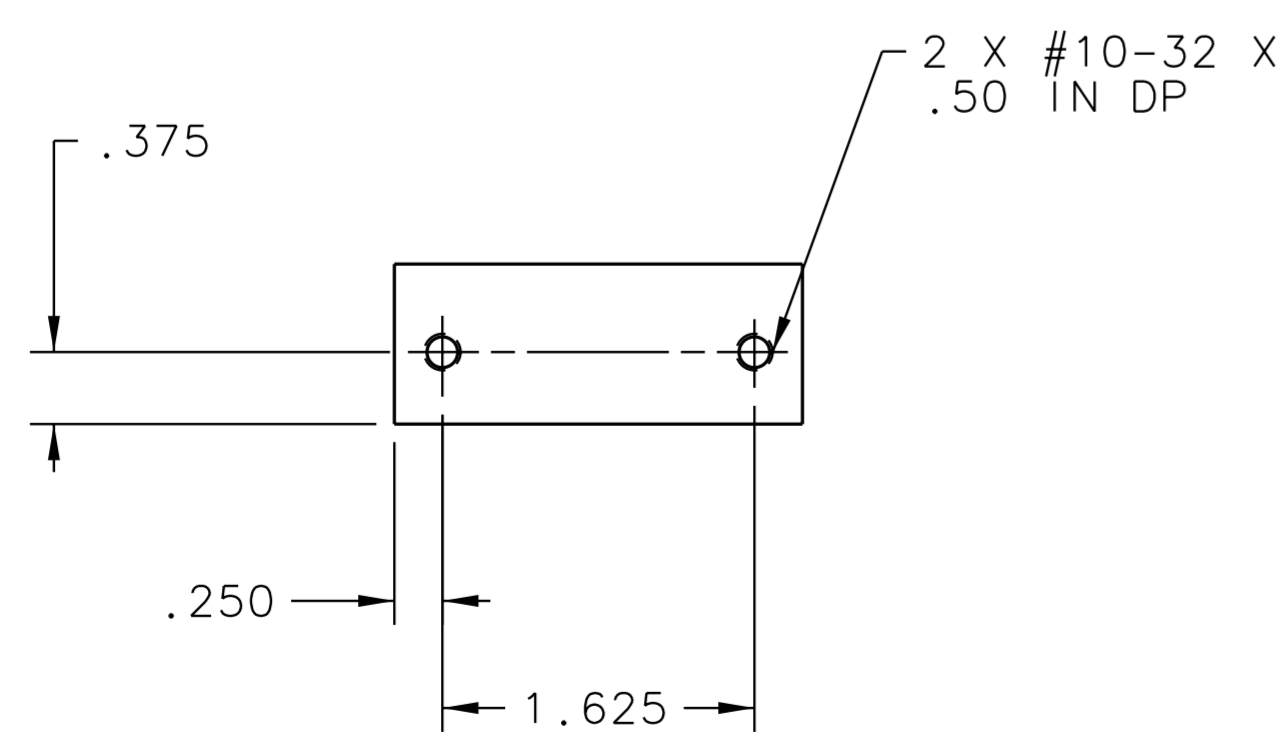
SECT VIEW 1-5D



FRONT VIEW 1-7B



RT SIDE VIEW 1-5B



BOTTOM VIEW 1-7A

DOCUMENT CONTROL STAMP	DIM & TOL PER ASME Y14.5 UNLESS OTHERWISE SPECIFIED DIMENSIONS ARE IN INCHES TOLERANCES ARE: FRACTIONS DECIMAL ANGLES ± N/A .XX ± .01 ± .50° .XXX ± .005	TRACKING NO. N/A		 Thomas Jefferson National Accelerator Facility NEWPORT NEWS, VIRGINIA UNITED STATES DEPARTMENT OF ENERGY			
		APPROVALS	DATE				
MATERIAL ALUMINUM	THIRD ANGLE PROJECTION	DRAWN J. MILLER	15SEP06	HALL A - HE3HE4 TARGET - TARGET CELL MOUNT BEARING HOLDER			
FINISH MACHINED SURFACES DEBURR & BREAK ALL SHARP EDGES	UNLESS OTHERWISE NOTED	CHECKED A. CAVALYA	25SEP06				
DO NOT SCALE DRAWING		APPROVED J. COMEZ	26SEP06			SIZE D	DWG. NO. A04018-03-01-1301
		APPROVED P. BRINDZA	25SEP06			SCALE 1:1	USED ON ASSY NO. A04018-03-01-1300 SHEET 1 OF 1