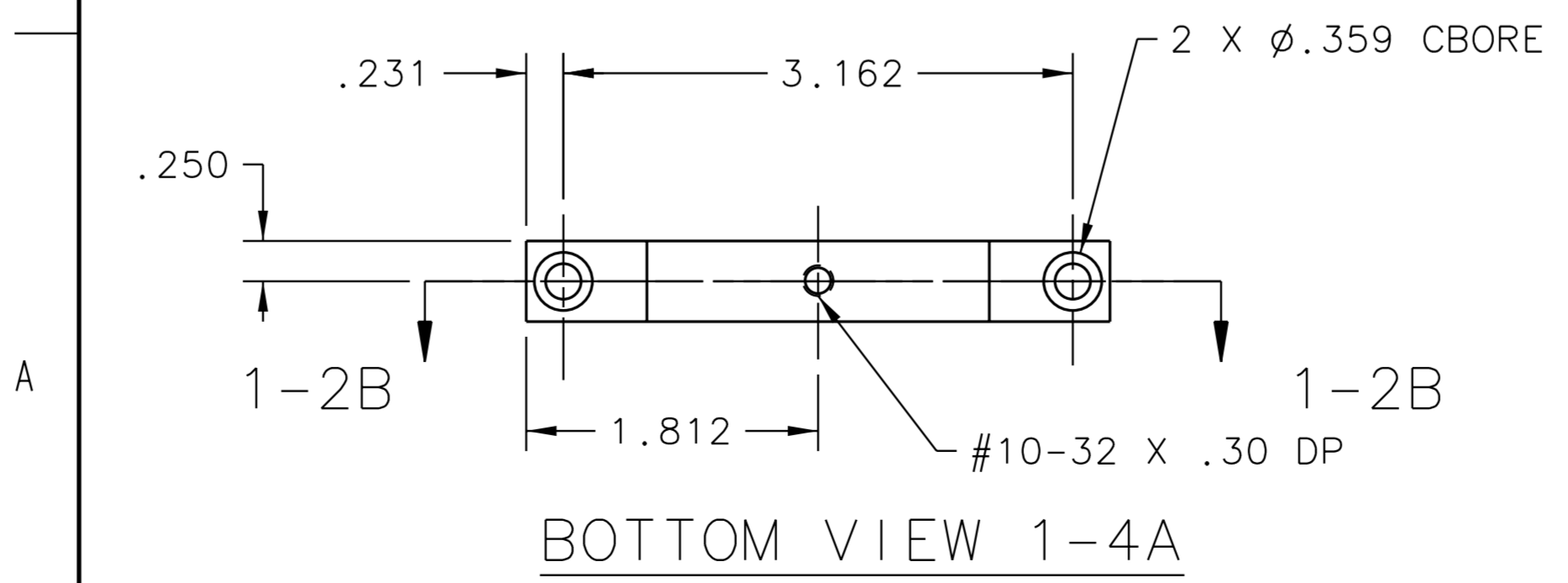
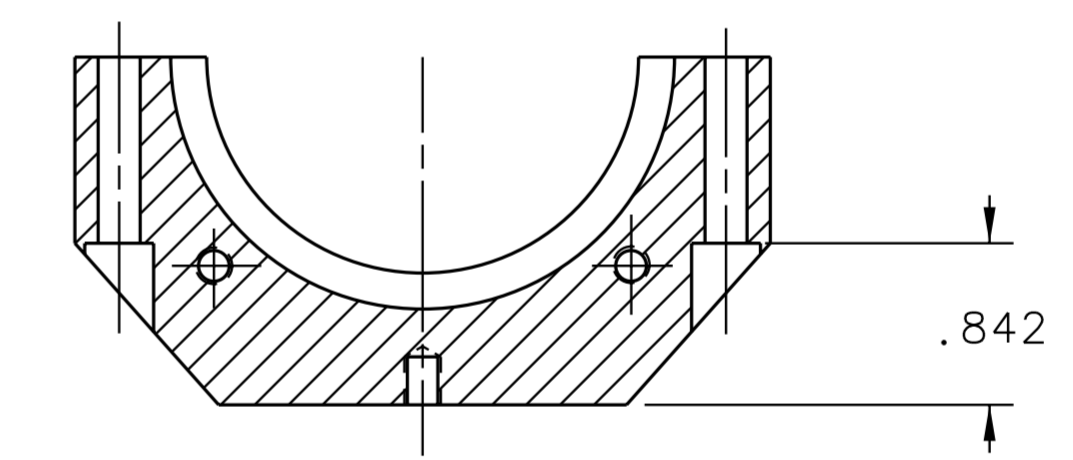
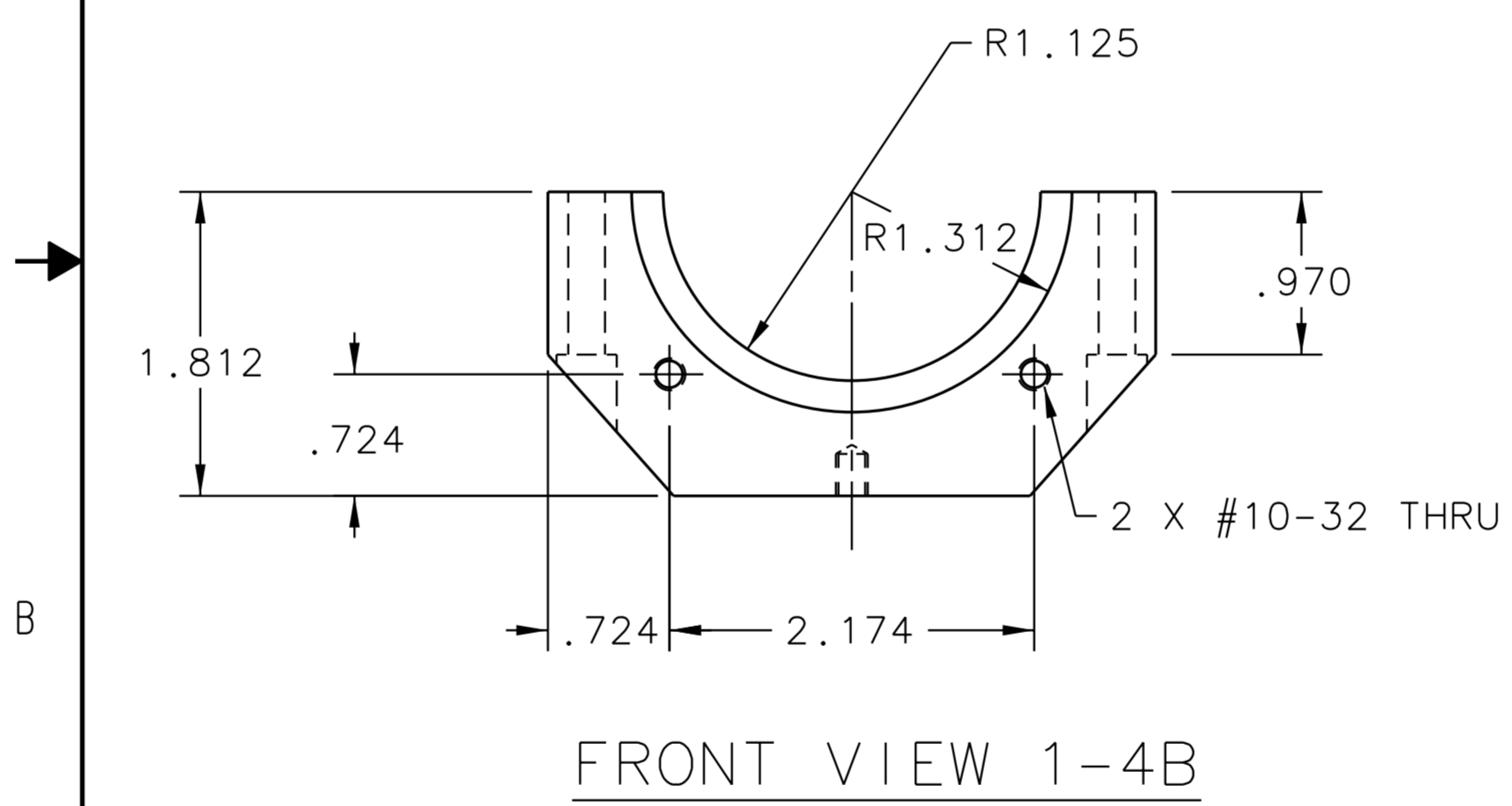
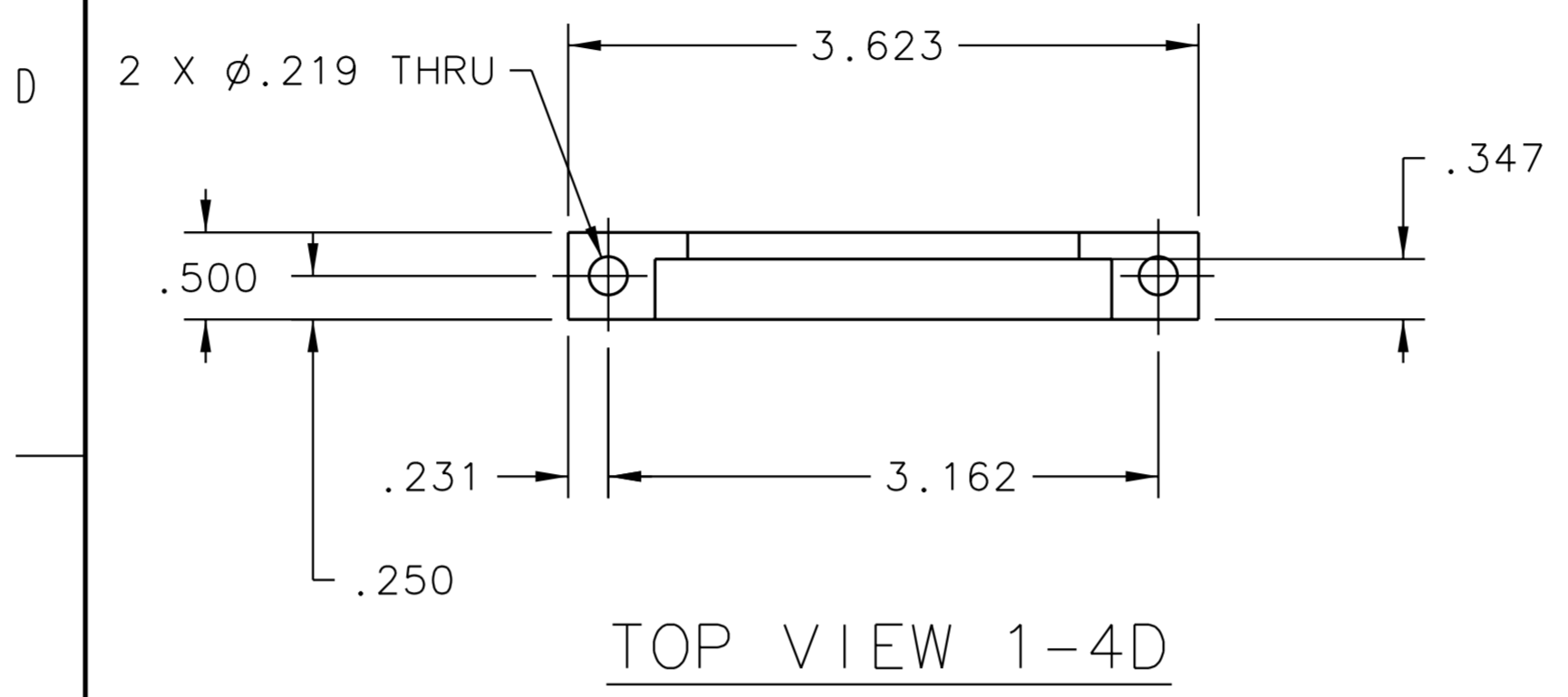

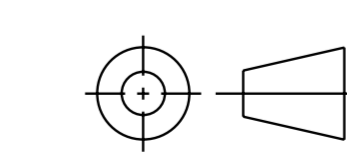


REVISION HISTORY				
ZONE	REV	DESCRIPTION	DATE	APPROVED



DOCUMENT CONTROL STAMP	DIM & TOL PER ASME Y14.5 UNLESS OTHERWISE SPECIFIED DIMENSIONS ARE IN INCHES TOLERANCES ARE: FRACTIONS DECIMAL ANGLES ± N/A .XX ± .01 ± .50° .XXX ± .005	TRACKING NO. N/A		 Thomas Jefferson National Accelerator Facility NEWPORT NEWS, VIRGINIA UNITED STATES DEPARTMENT OF ENERGY			
		APPROVALS	DATE				
MATERIAL ALUMINUM	THIRD ANGLE PROJECTION	DRAWN J. MILLER	18SEP06	HALL A -HE3HE4 TARGET - TARGET CELL MOUNT BEARING HOLDER LG TOP			
FINISH MACHINED SURFACES DEBURR & BREAK ALL SHARP EDGES		CHECKED A. GAVALYA	25SEP06			SIZE C	DWG. NO. A04018-03-01-1304
		APPROVED J. GOMEZ	26SEP06			SCALE 1:1	REV. -
DO NOT SCALE DRAWING		APPROVED P. BRINDZA	25SEP06	USED ON ASSY NO. A04018-03-01-1300	SHEET 1 OF 1		