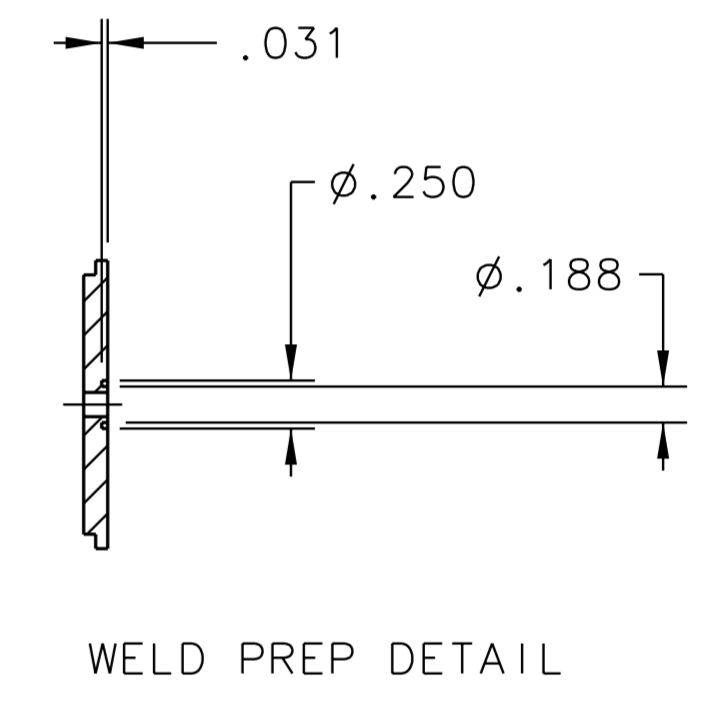
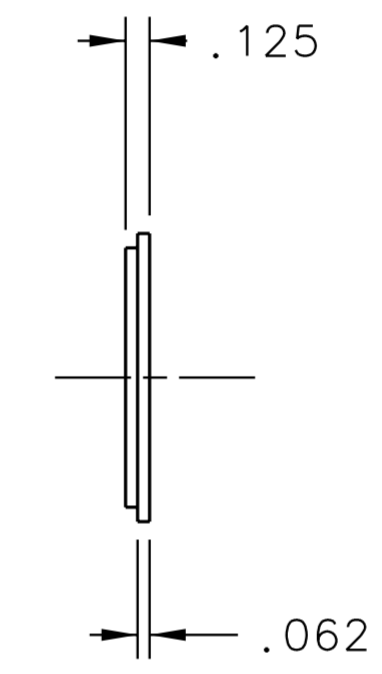
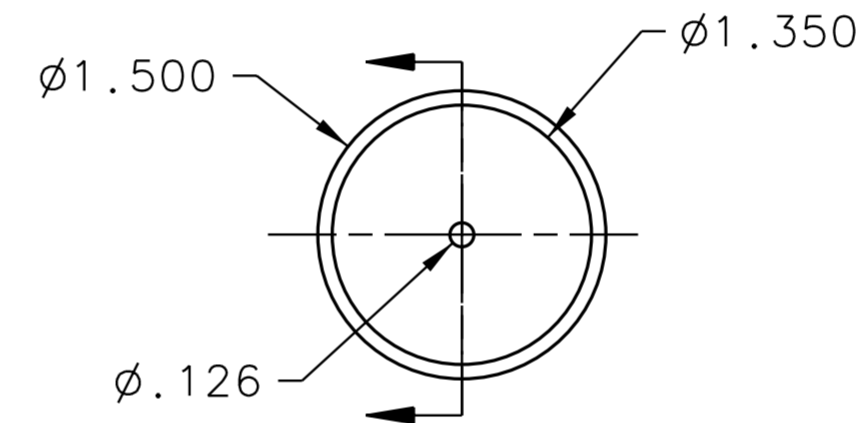


REVISION HISTORY			
REV	DESCRIPTION	DATE	APPROVED



DOCUMENT CONTROL STAMP	DIM & TOL PER ASME Y14.5 UNLESS OTHERWISE SPECIFIED DIMENSIONS ARE IN INCHES TOLERANCES ARE: FRACTIONS DECIMAL ANGLES $\pm$ N/A .X $\pm$ .1 $\pm$ .50° .XX $\pm$ .01 .XXX $\pm$ .005	TRACKING NO. N/A		 Thomas Jefferson National Accelerator Facility NEWPORT NEWS, VIRGINIA UNITED STATES DEPARTMENT OF ENERGY HALL A - HE3HE4 TARGET - TARGET CELL BELLOWS WELDMENT CARTRIDGE CAP	
		APPROVALS			
MATERIAL STAINLESS STEEL	THIRD ANGLE PROJECTION	DRAWN J. MILLER	15SEP06	SIZE DWG. NO. REV. <b>B</b> A04018-03-01-1801 - SCALE 1:1 USED ON ASSY NO. A04018-03-01-1800 SHEET 1 OF 1	
FINISH MACHINED SURFACES DEBURR & BREAK ALL SHARP EDGES		CHECKED A. GAVALYA	25SEP06		
125 UNLESS OTHERWISE NOTED		APPROVED J. GOMEZ	26SEP06		
DO NOT SCALE DRAWING		APPROVED P. BRINDZA	25SEP06		