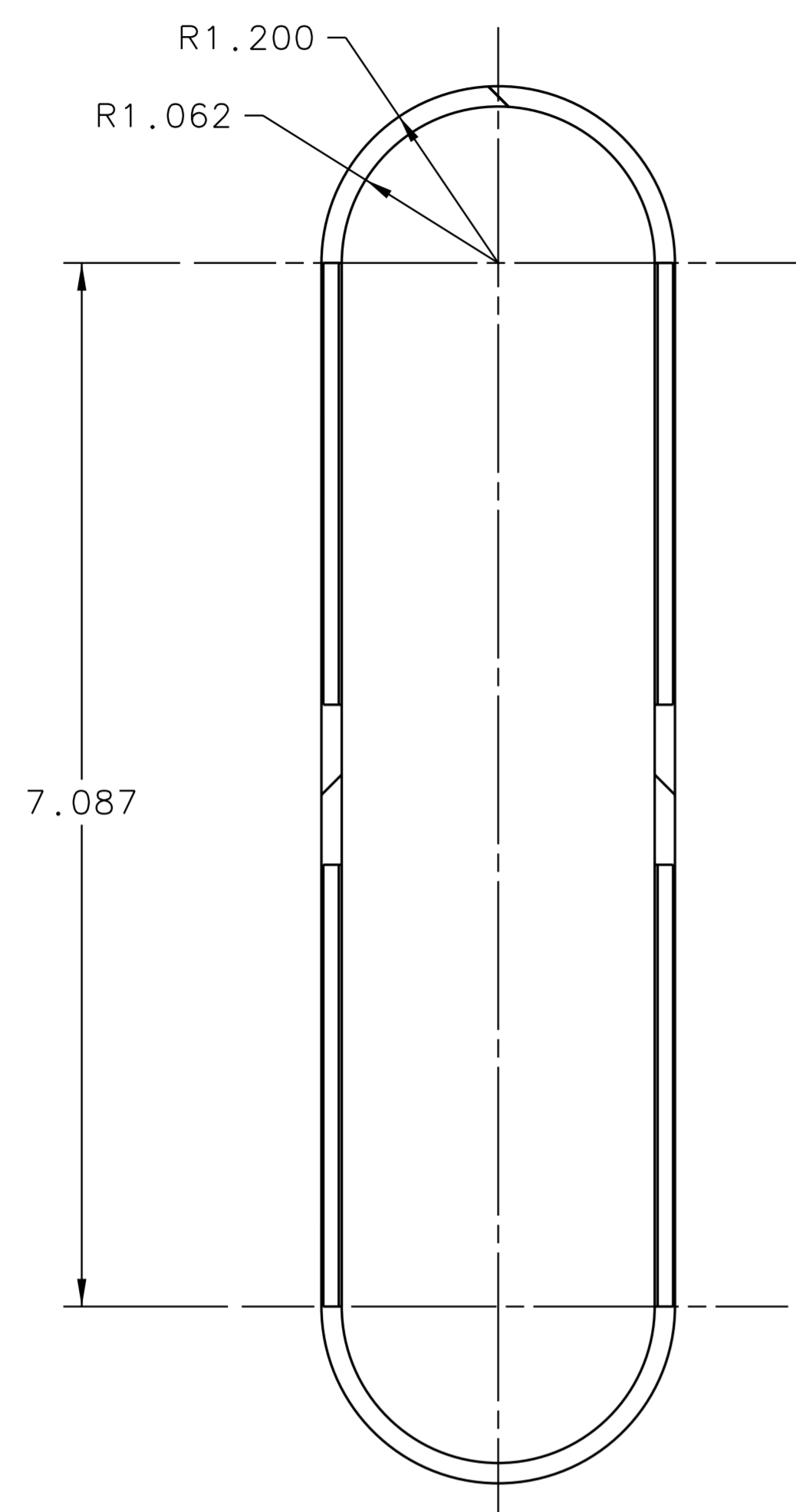
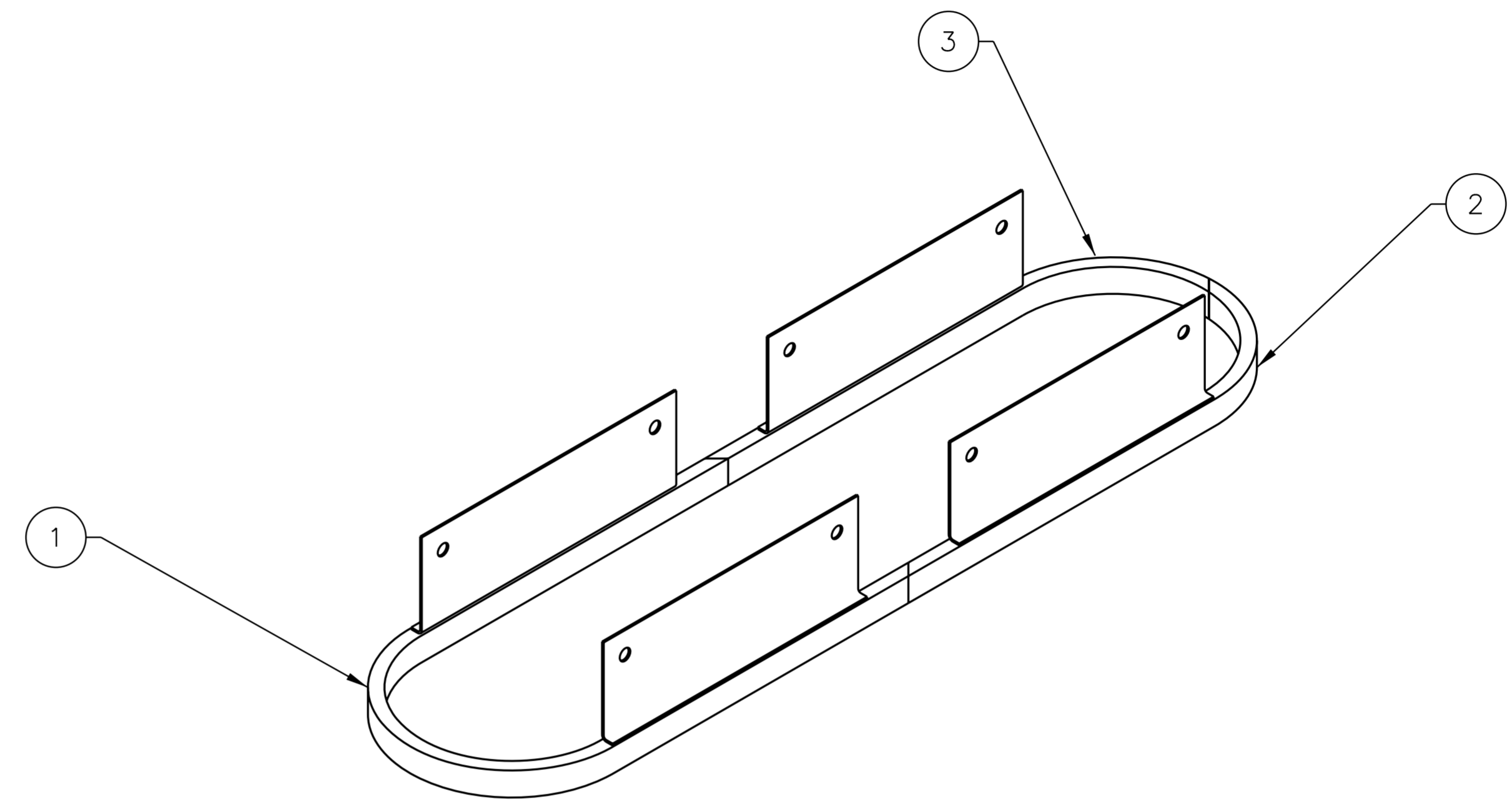


8 7 6 5 4 3 2 1

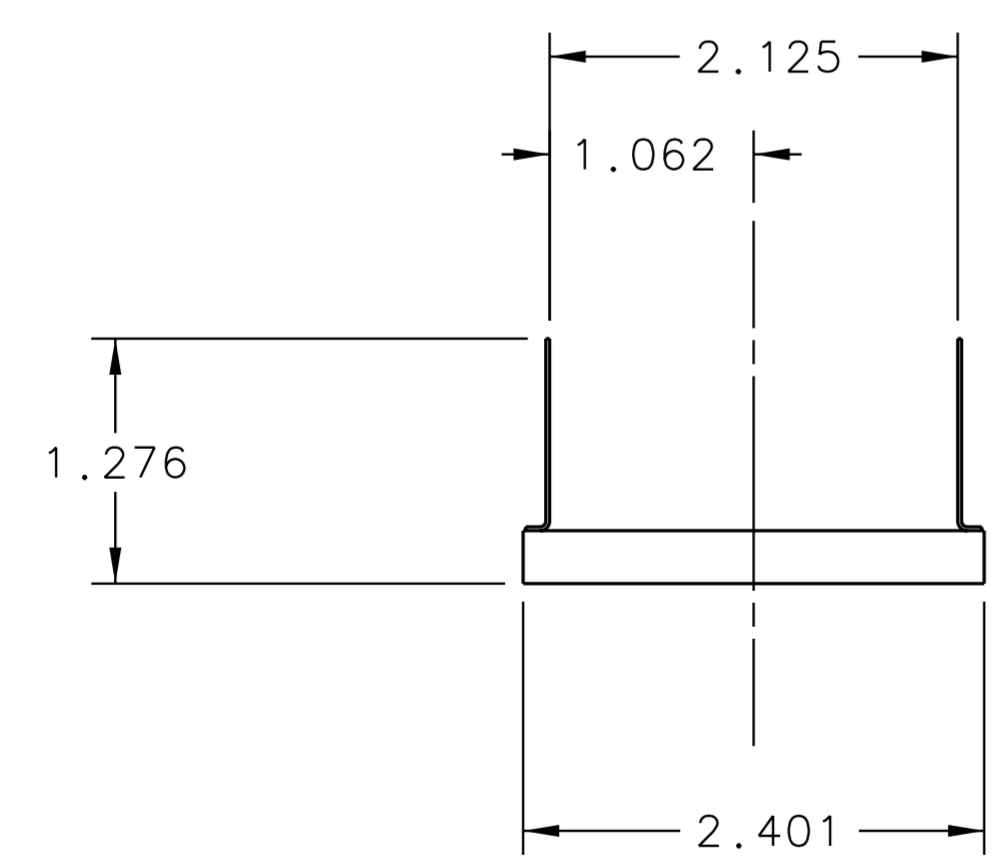
REVISION HISTORY			
ZONE	REV	DESCRIPTION	DATE



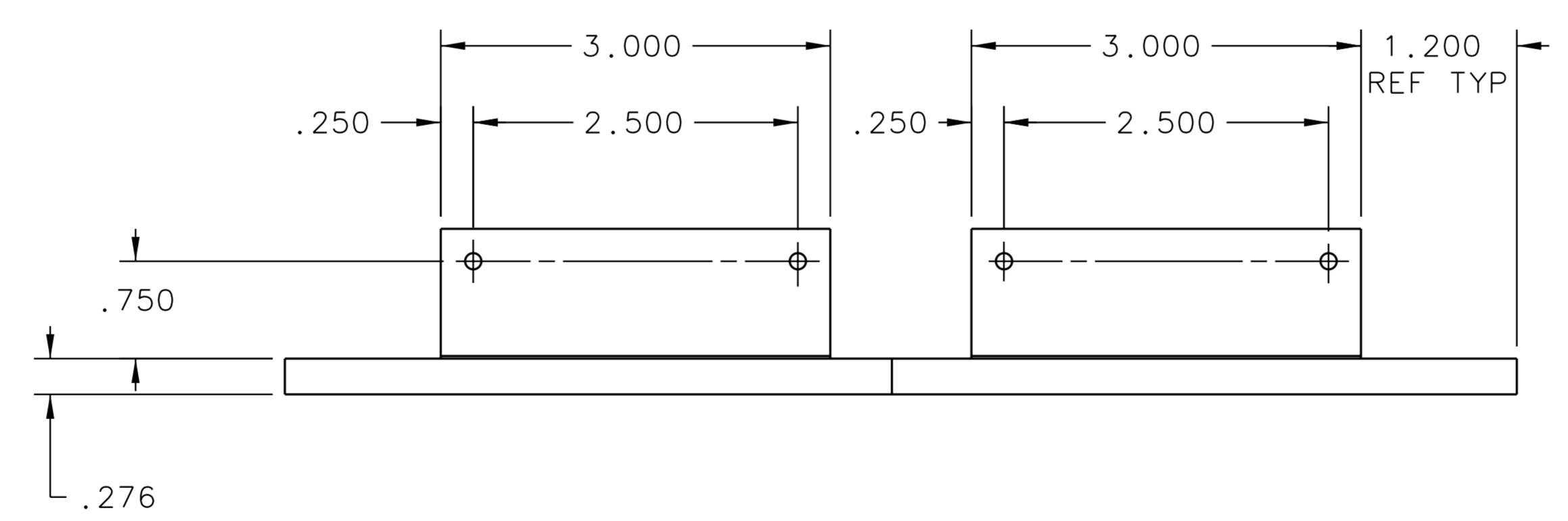
TOP VIEW 1-7C



ISO VIEW 1-4C



FRONT VIEW 1-7A



RT SIDE VIEW 1-5A

QTY REQD	ITEM NO.	PART OR IDENTIFYING NO.	NOMENCLATURE OR DESCRIPTION	MATERIAL SPECIFICATION	NOTES
1	3	A04018-03-01-0800	REAR LEFT WLDMNT	COMPOSITE	-
1	2	A04018-03-01-0700	REAR RT WLDMNT	COMPOSITE	-
1	1	A04018-03-01-0600	FRONT BOLT COLL WLDMNT	COMPOSITE	-

DOCUMENT CONTROL STAMP	DIMS & TOL PER ASME Y14.5 UNLESS OTHERWISE SPECIFIED DIMENSIONS ARE IN INCHES TOLERANCES ARE: FRACTIONS DECIMAL ANGLES ± N/A .XX ± .01 ± .50° .XXX ± .005	TRACKING NO. N/A		 Thomas Jefferson National Accelerator Facility NEWPORT NEWS, VIRGINIA UNITED STATES DEPARTMENT OF ENERGY
		APPROVALS	DATE	
MATERIAL SEE PARTS LIST	THIRD ANGLE PROJECTION	DRAWN J. MILLER	11SEP06	HALL A - HE3HE4 TARGET - TARGET CELL CELL 20cm HIGH PRESSURE BOLT COLLIMATOR ASSY
FINISH UNLESS MACHINED SURFACES N/A OTHERWISE NOTED DEBURR & BREAK ALL SHARP EDGES		CHECKED R. ANUMAGALLA	27SEP06	
DO NOT SCALE DRAWING		APPROVED J. COMEZ	27SEP06	
		APPROVED A. CAVALYA	27SEP06	

8 7 6 5 4 3 2 1