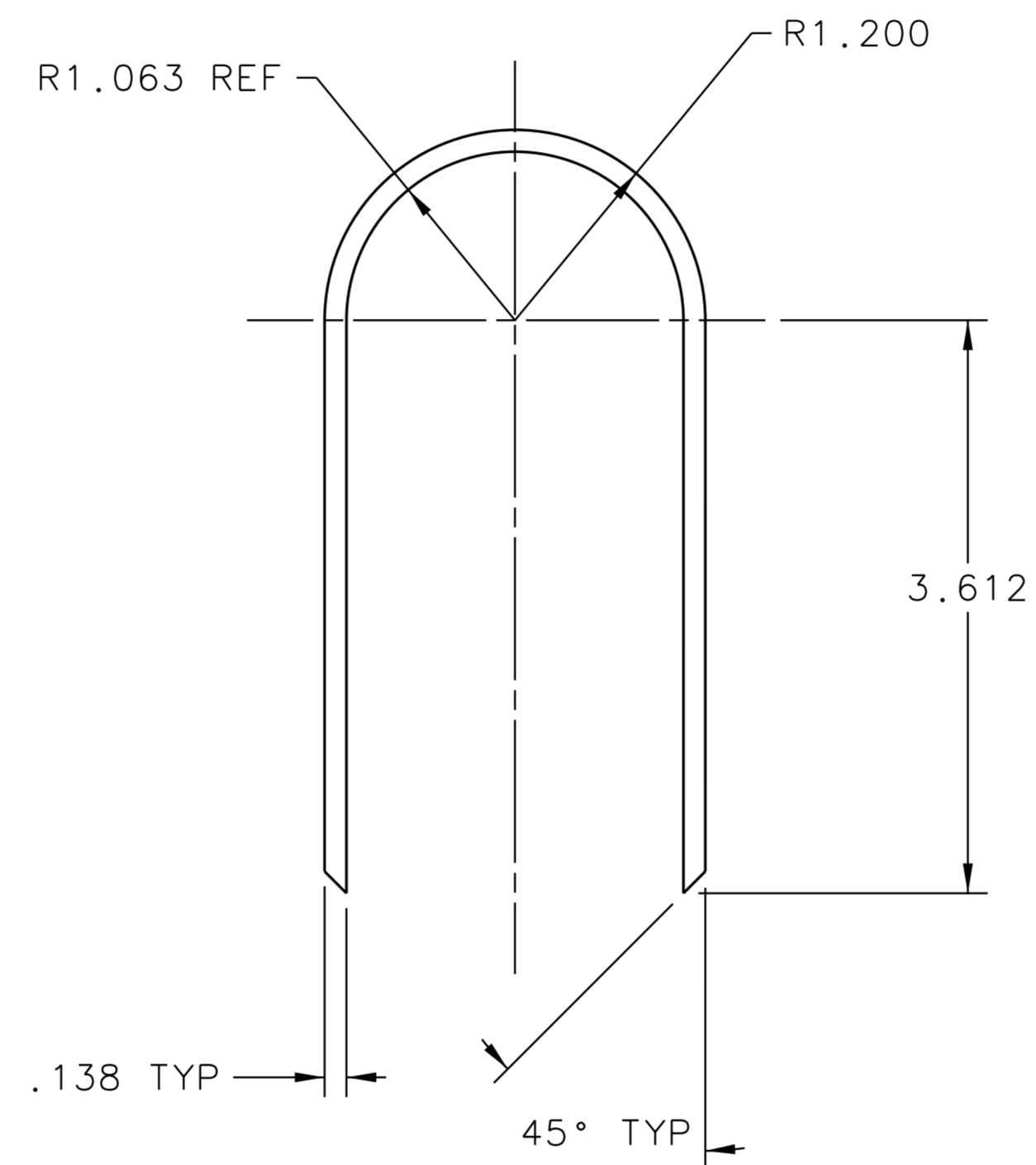
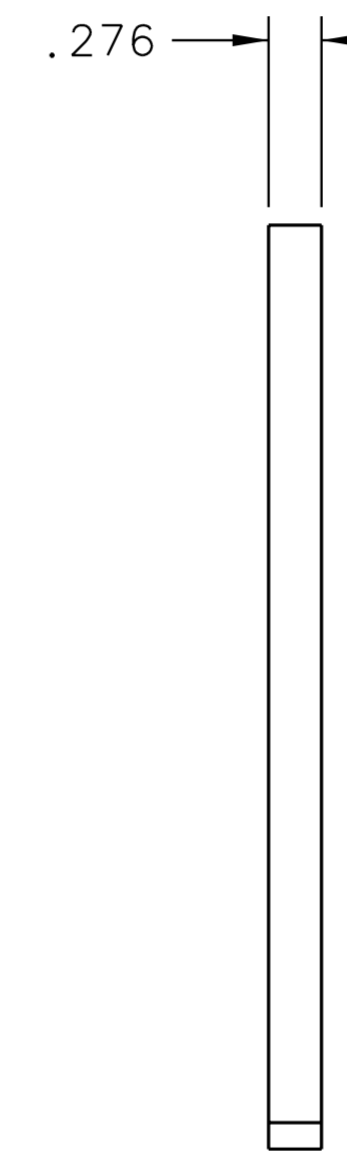


REVISION HISTORY				
ZONE	REV	DESCRIPTION	DATE	APPROVED



FRONT VIEW 1-4B



RT SIDE VIEW 1-2B

DOCUMENT CONTROL STAMP	DIM & TOL PER ASME Y14.5 UNLESS OTHERWISE SPECIFIED DIMENSIONS ARE IN INCHES TOLERANCES ARE: FRACTIONS DECIMAL ANGLES ± N/A .X ± .1 ± .50° .XX ± .01 .XXX ± .005	TRACKING NO. N/A		 Thomas Jefferson National Accelerator Facility NEWPORT NEWS, VIRGINIA UNITED STATES DEPARTMENT OF ENERGY	
		APPROVALS	DATE	HALL A - HE3HE4 TARGET - TARGET CELL FRONT BOLT COLL WLDMNT FRONT BOLT COLLIMATOR	
MATERIAL DENSAMET HD17 NON-MAGNETIC	THIRD ANGLE PROJECTION	DRAWN J. MILLER	08SEP06	SIZE C	DWG. NO. A04018-03-01-0601
FINISH MACHINED SURFACES DEBURR & BREAK ALL SHARP EDGES	UNLESS OTHERWISE NOTED	CHECKED R. ANIMAGALLA	27SEP06	SCALE 1:1	USED ON ASSY NO. A04018-03-01-0600 SHEET 1 OF 1
DO NOT SCALE DRAWING		APPROVED J. GOMEZ	27 SEP06	REV. -	
		APPROVED A. CAVALYA	27SEP06		