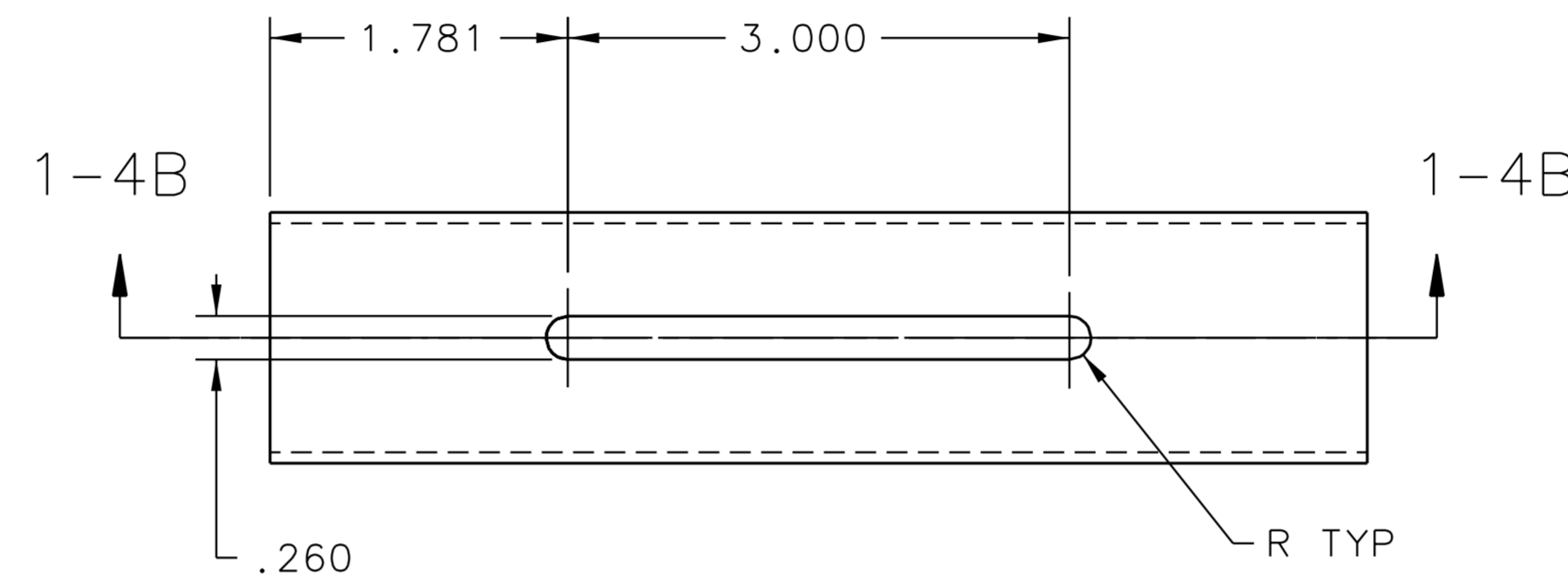
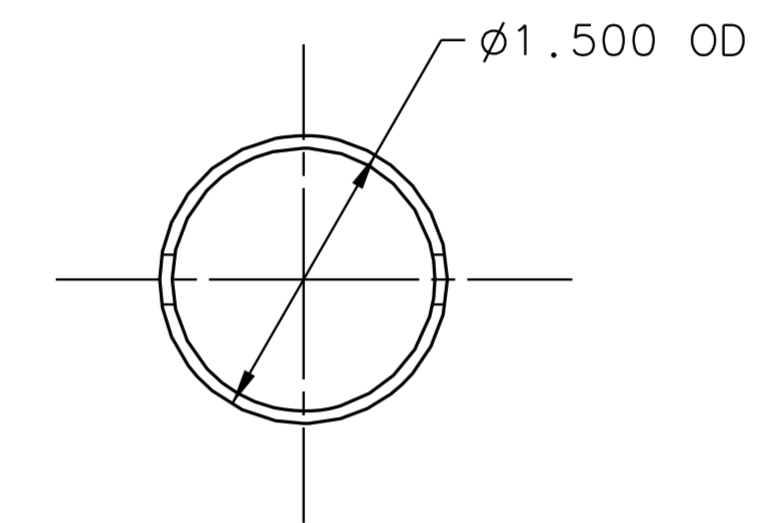


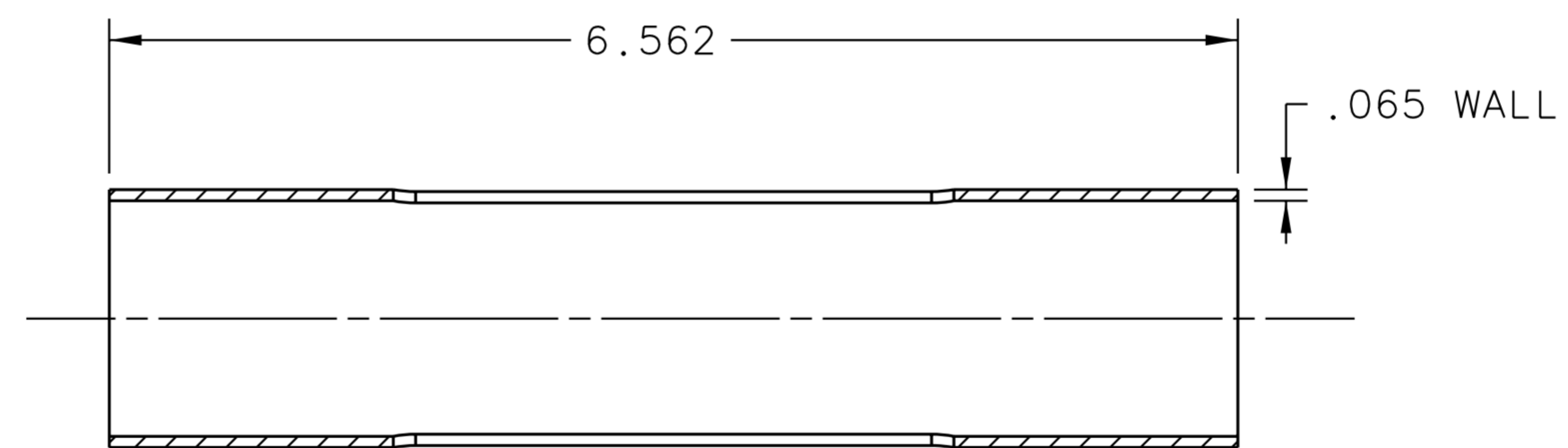
REVISION HISTORY				
ZONE	REV	DESCRIPTION	DATE	APPROVED



FRONT VIEW 1-4C



RT SIDE VIEW 1-2C



SECT VIEW 1-4B

NOTES:
1. APPROX. WEIGHT .5 LB.

DOCUMENT CONTROL STAMP	DIM & TOL PER ASME Y14.5 UNLESS OTHERWISE SPECIFIED DIMENSIONS ARE IN INCHES TOLERANCES ARE: FRACTIONS DECIMAL ANGLES ± N/A .X ± .1 ± .50° .XX ± .01 .XXX ± .005	TRACKING NO. N/A		 Thomas Jefferson National Accelerator Facility NEWPORT NEWS, VIRGINIA UNITED STATES DEPARTMENT OF ENERGY
		APPROVALS	DATE	
MATERIAL 1.5 OD STAINLESS STEEL TUBE	THIRD ANGLE PROJECTION	DRAWN J. MILLER	15SEP06	HALL A - HE3HE4 TARGET - TARGET CELL CARTRIDGE ASSY FOR LOWER/UPPER TUBE 1.5 OD X 6.562 LG
FINISH MACHINED SURFACES DEBURR & BREAK ALL SHARP EDGES		CHECKED A. GAVALYA	25SEP06	
UNLESS OTHERWISE NOTED		APPROVED J. GOMEZ	26SEP06	
DO NOT SCALE DRAWING		APPROVED P. BRINDZA	25SEP06	SCALE 1:1 USED ON ASSY NO. A04018-03-01-1600 SHEET 1 OF 1