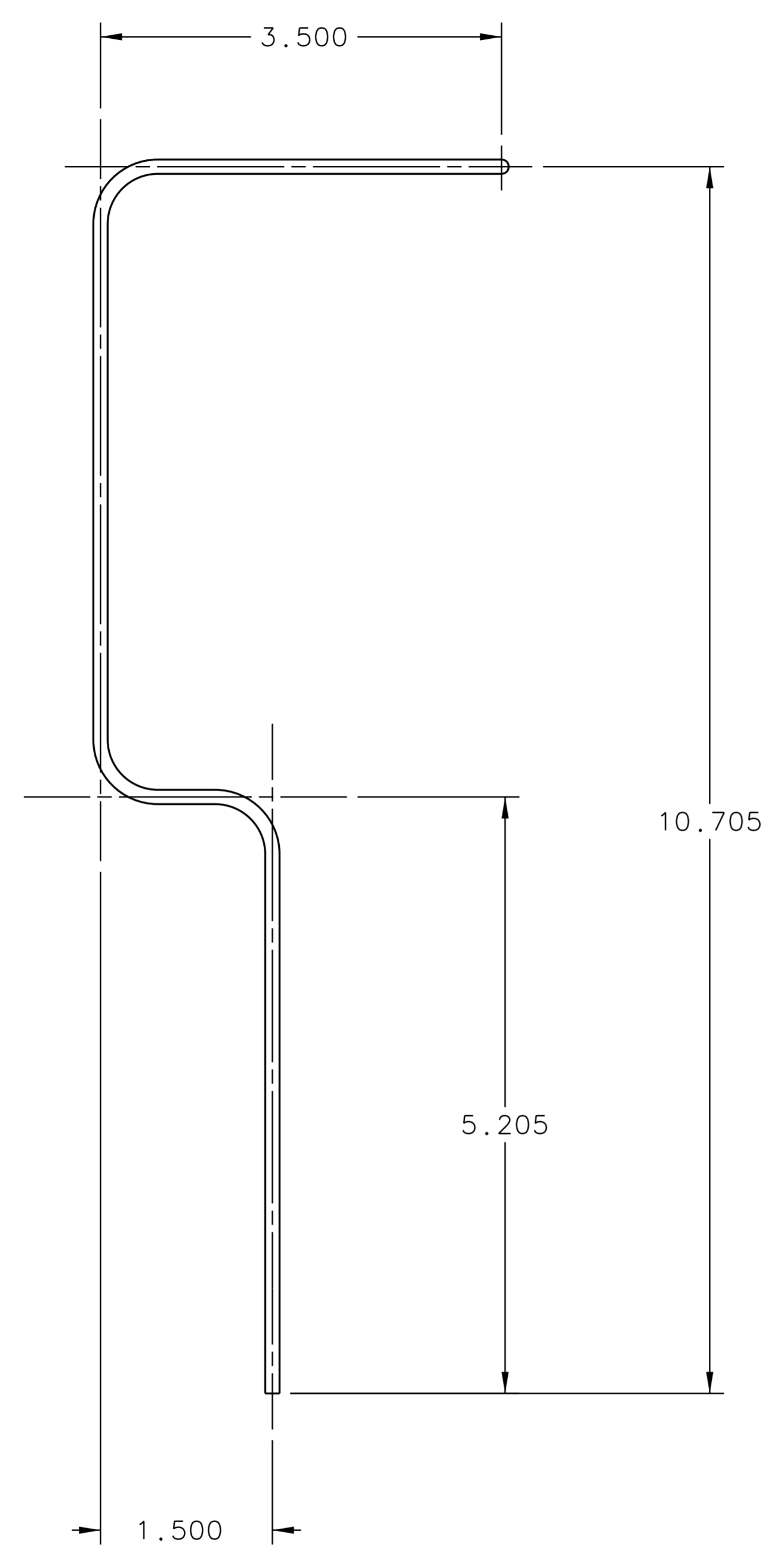
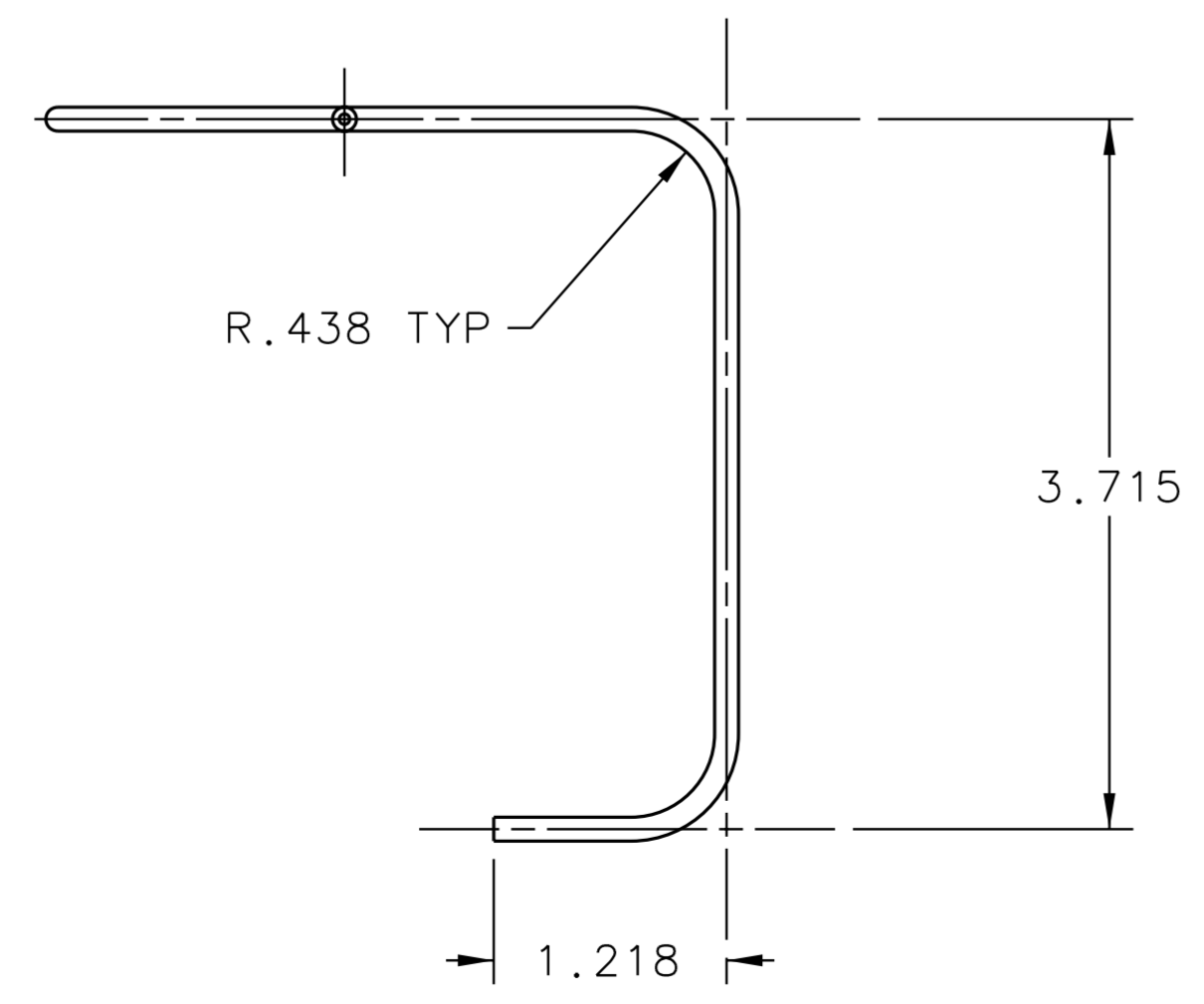


8 7 6 5 4 3 2 1

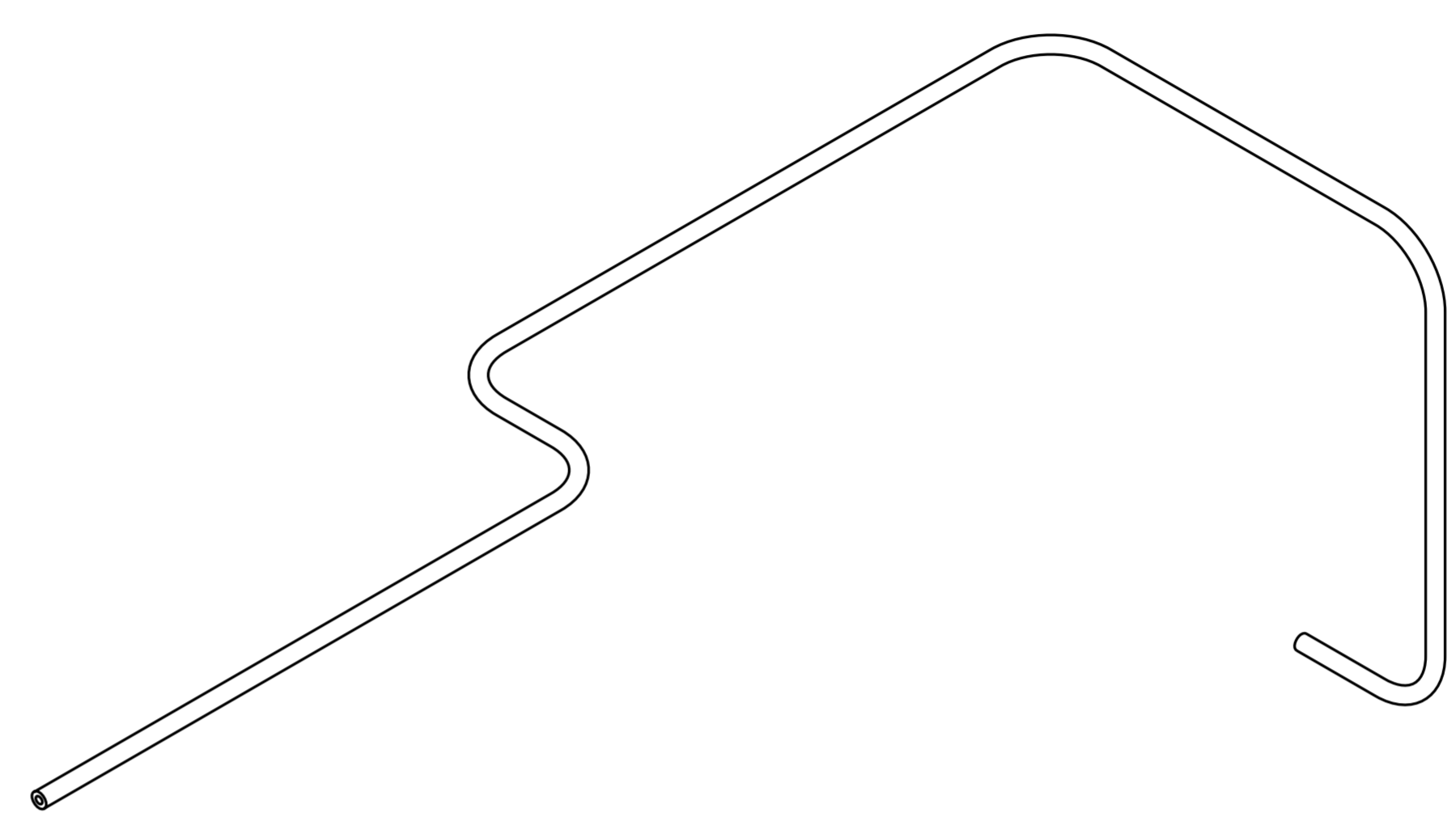
REVISION HISTORY				
ZONE	REV	DESCRIPTION	DATE	APPROVED



TOP VIEW 1-7B



FRONT VIEW 1-7A



ISO VIEW 1-3C

DOCUMENT CONTROL STAMP	DIM & TOL PER ASME Y14.5 UNLESS OTHERWISE SPECIFIED DIMENSIONS ARE IN INCHES TOLERANCES ARE: FRACTIONS DECIMAL ANGLES ± N/A .X ± .1 ± .50° .XX ± .01 .XXX ± .005	TRACKING NO. N/A		 Thomas Jefferson National Accelerator Facility NEWPORT NEWS, VIRGINIA UNITED STATES DEPARTMENT OF ENERGY
		APPROVALS	DATE	
MATERIAL STAINLESS STEEL TUBE .125 OD X .028 WALL	THIRD ANGLE PROJECTION	DRAWN J. MILLER	25SEP06	HALL A - HE3HE4 TARGET - TARGET CELL CARTRIDGE ASSY FOR UPPER UPPER RT TUBE
FINISH MACHINED SURFACES DEBURR & BREAK ALL SHARP EDGES		CHECKED A. CAVALYA	25SEP06	
UNLESS OTHERWISE NOTED		APPROVED J. COMEZ	26SEP06	
DO NOT SCALE DRAWING		APPROVED P. BRINDZA	25SEP06	
		SIZE DWG. NO. D A04018-03-01-1701	REV. -	
		SCALE 1:1	USED ON ASSY NO. A04018-03-01-1700	SHEET 1 OF 1

8 7 6 5 4 3 2 1