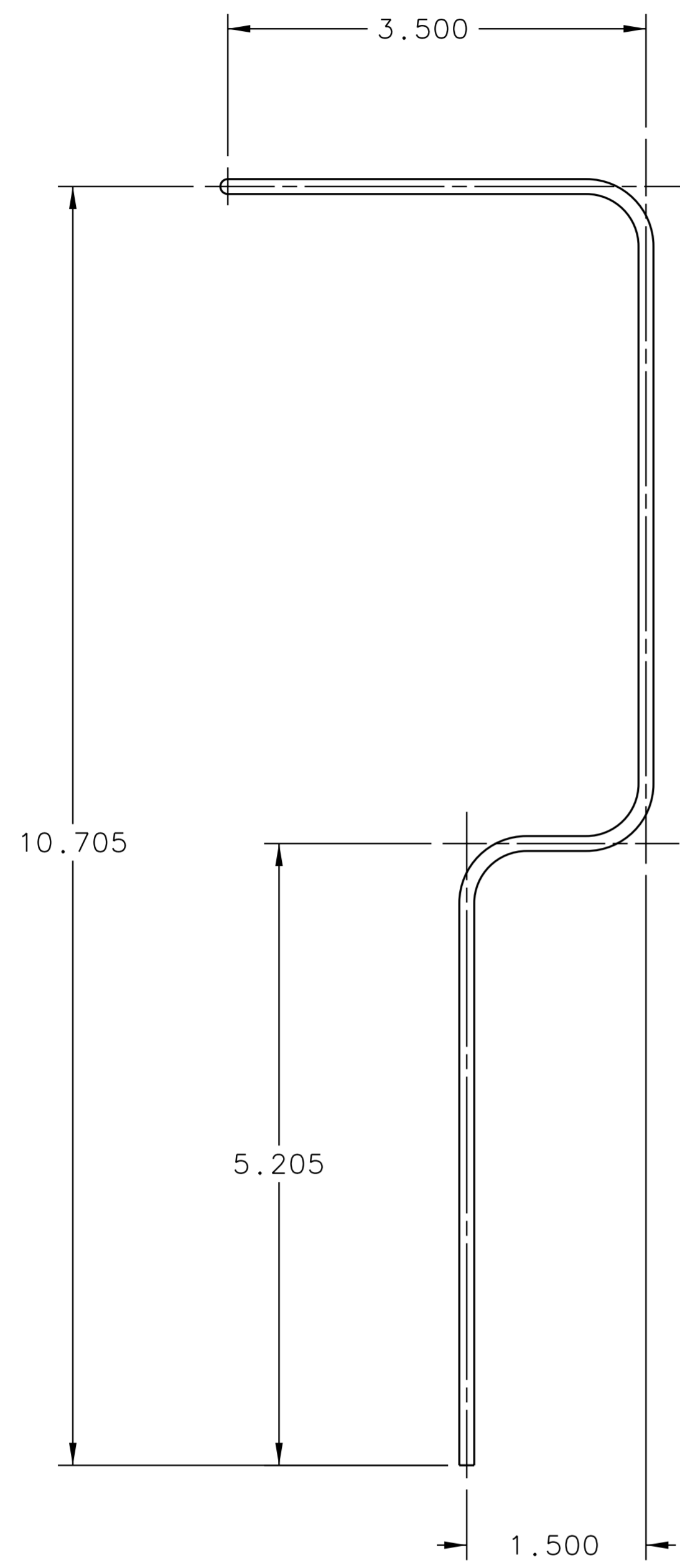
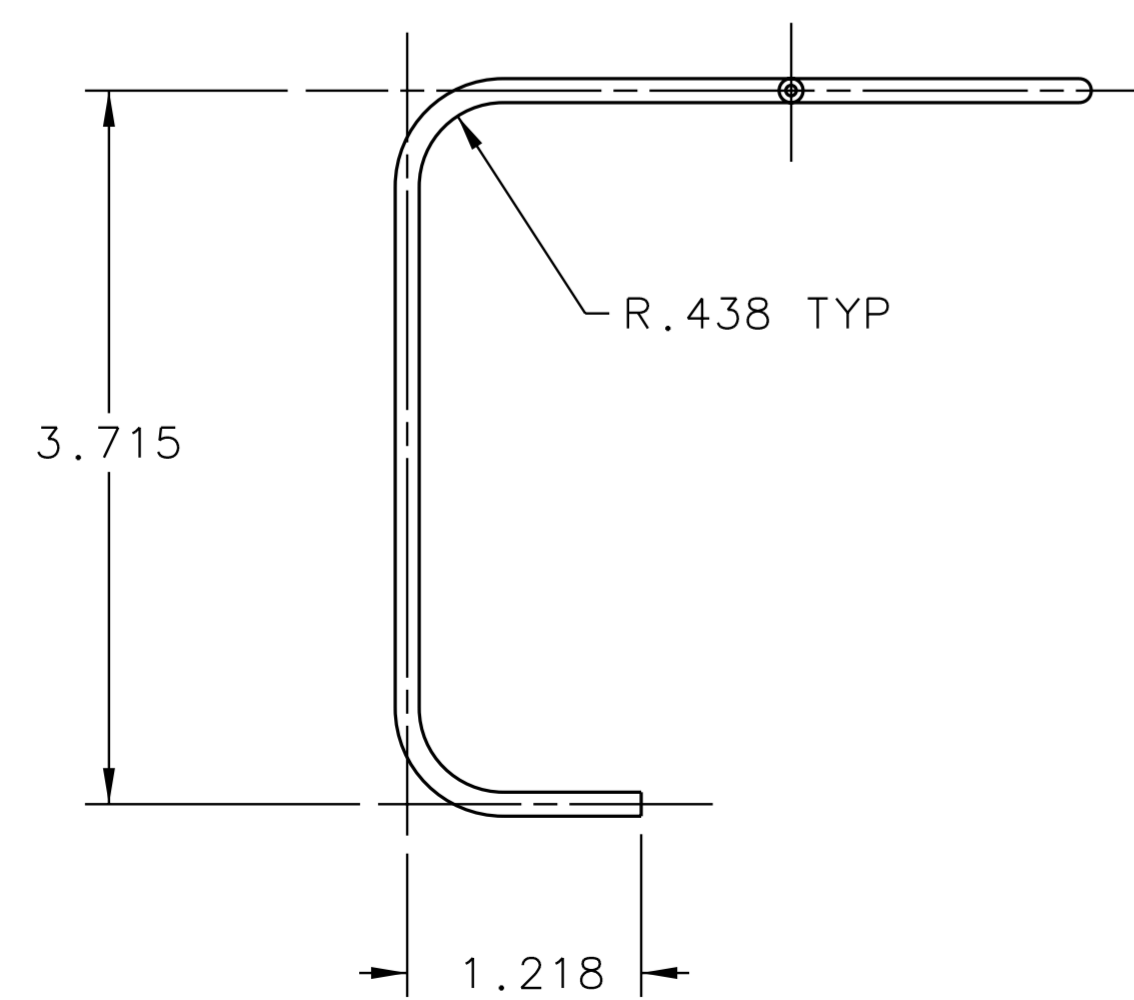


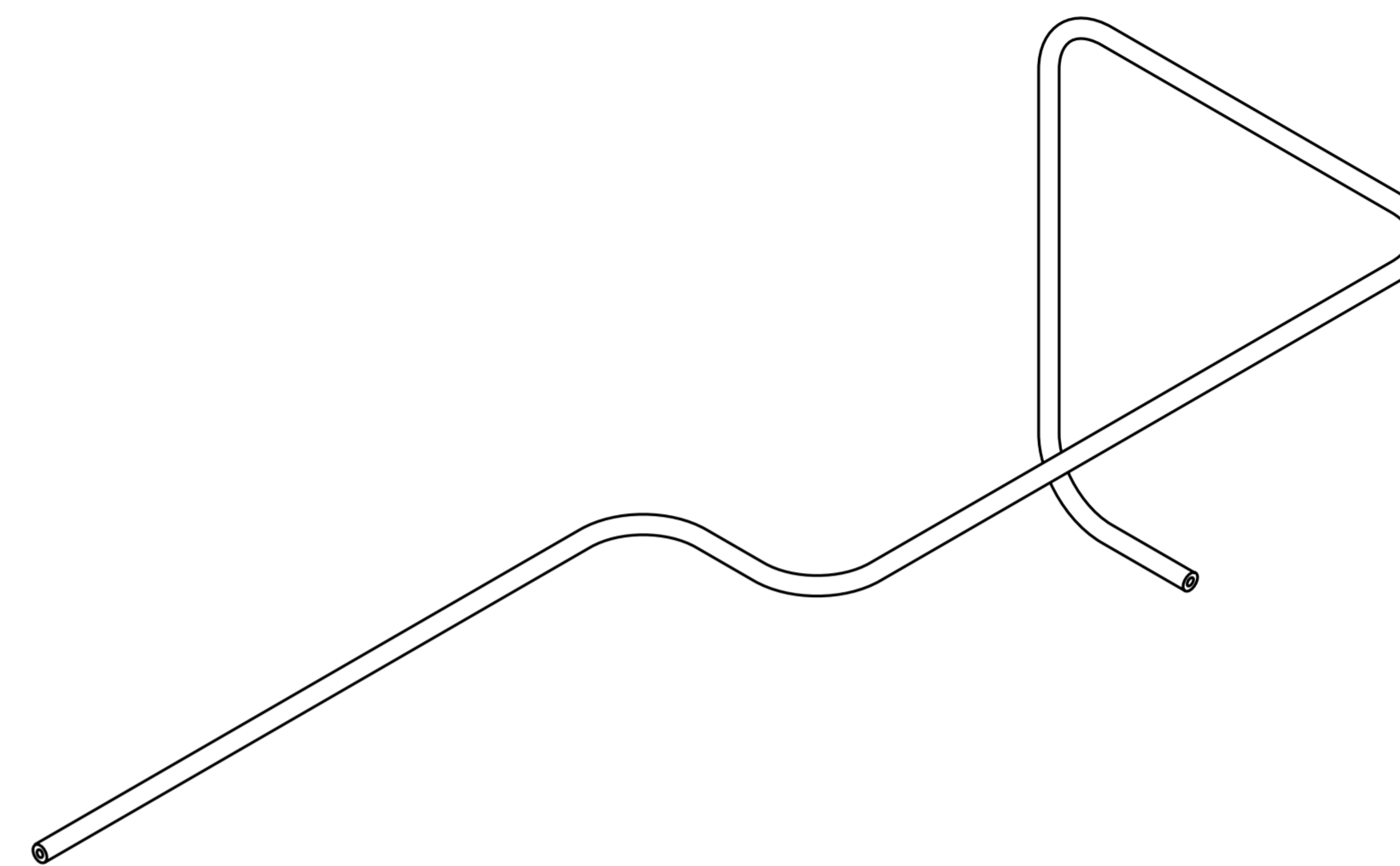
| REVISION HISTORY | | | | |
|------------------|-----|-------------|------|----------|
| ZONE | REV | DESCRIPTION | DATE | APPROVED |
| | | | | |




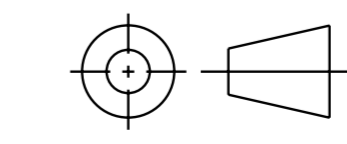
TOP VIEW 1-7B



FRONT VIEW 1-7A



ISO VIEW 1-3C

| | | | | |
|---|---|------------------------|------------------------------------|---|
| DOCUMENT CONTROL STAMP | DIM & TOL PER ASME Y14.5 UNLESS OTHERWISE SPECIFIED DIMENSIONS ARE IN INCHES TOLERANCES ARE: FRACTIONS DECIMAL ANGLES ± N/A .X ± .1 ± .50° .XX ± .01 .XXX ± .005 | TRACKING NO. N/A | |  Thomas Jefferson National Accelerator Facility NEWPORT NEWS, VIRGINIA UNITED STATES DEPARTMENT OF ENERGY |
| | | APPROVALS | DATE | |
| MATERIAL STAINLESS STEEL TUBE .125 OD X .028 WALL | THIRD ANGLE PROJECTION | DRAWN J. MILLER | 25SEP06 | HALL A - HE3HE4 TARGET - TARGET CELL CARTRIDGE ASSY FOR UPPER UPPER LEFT TUBE |
| FINISH MACHINED SURFACES DEBURR & BREAK ALL SHARP EDGES |  | CHECKED A. CAVALYA | 25SEP06 | |
| UNLESS OTHERWISE NOTED | | APPROVED J. COMEZ | 26SEP06 | |
| DO NOT SCALE DRAWING | | APPROVED P. BRINDZA | 25SEP06 | |
| | | SCALE 1:1 | USED ON ASSY NO. A04018-03-01-1700 | SIZE DWG. NO. A04018-03-01-1702 SHEET 1 OF 1 |