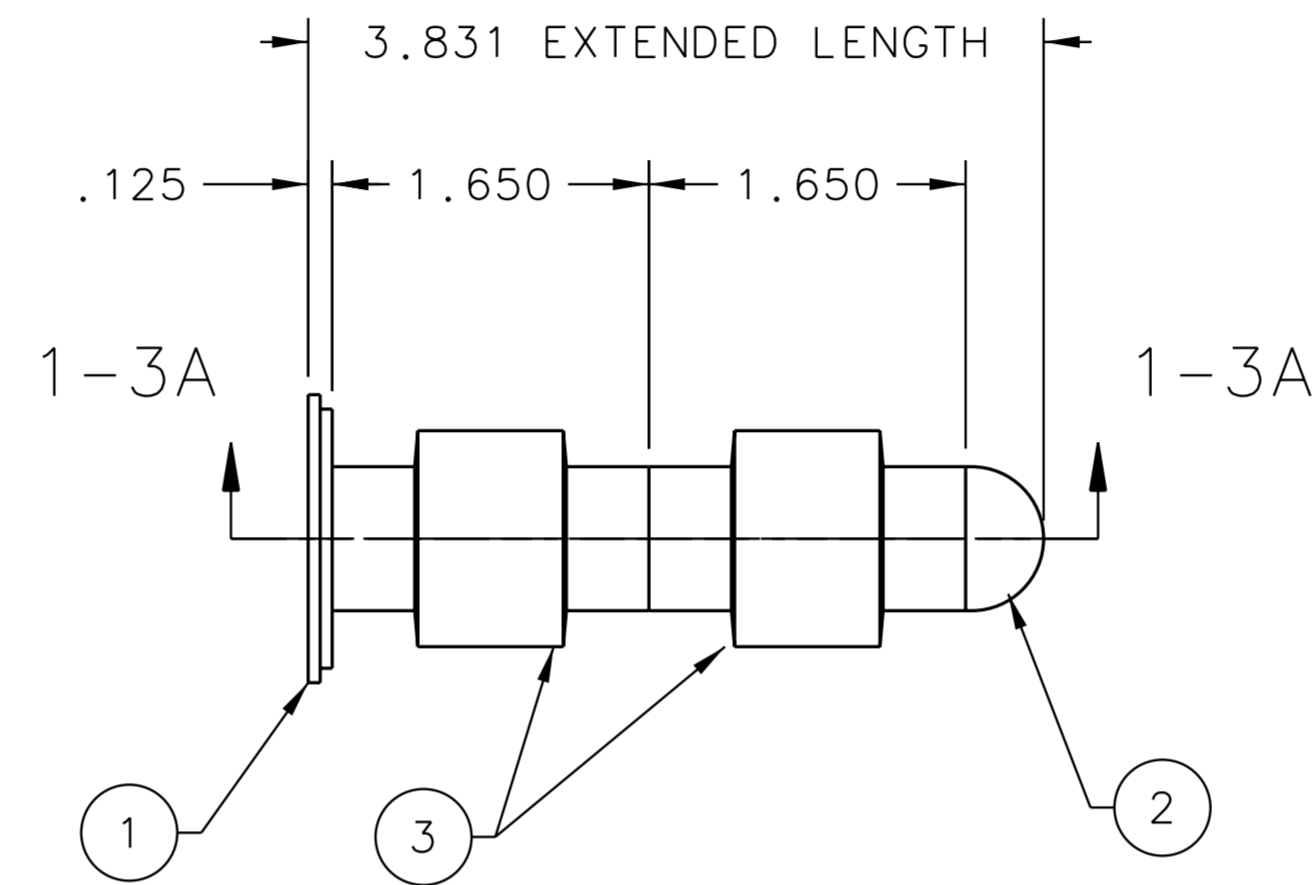
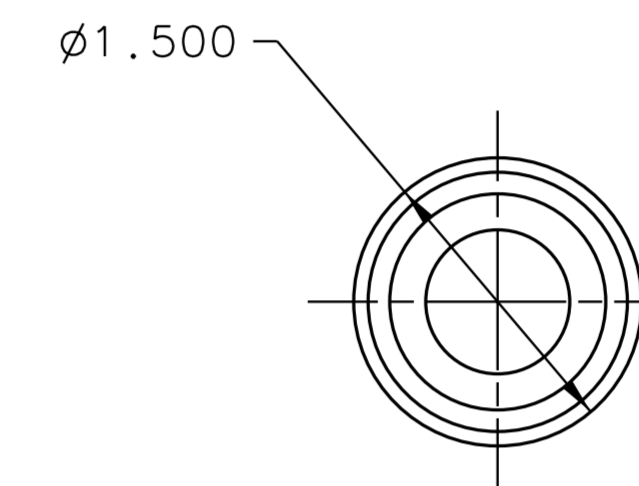


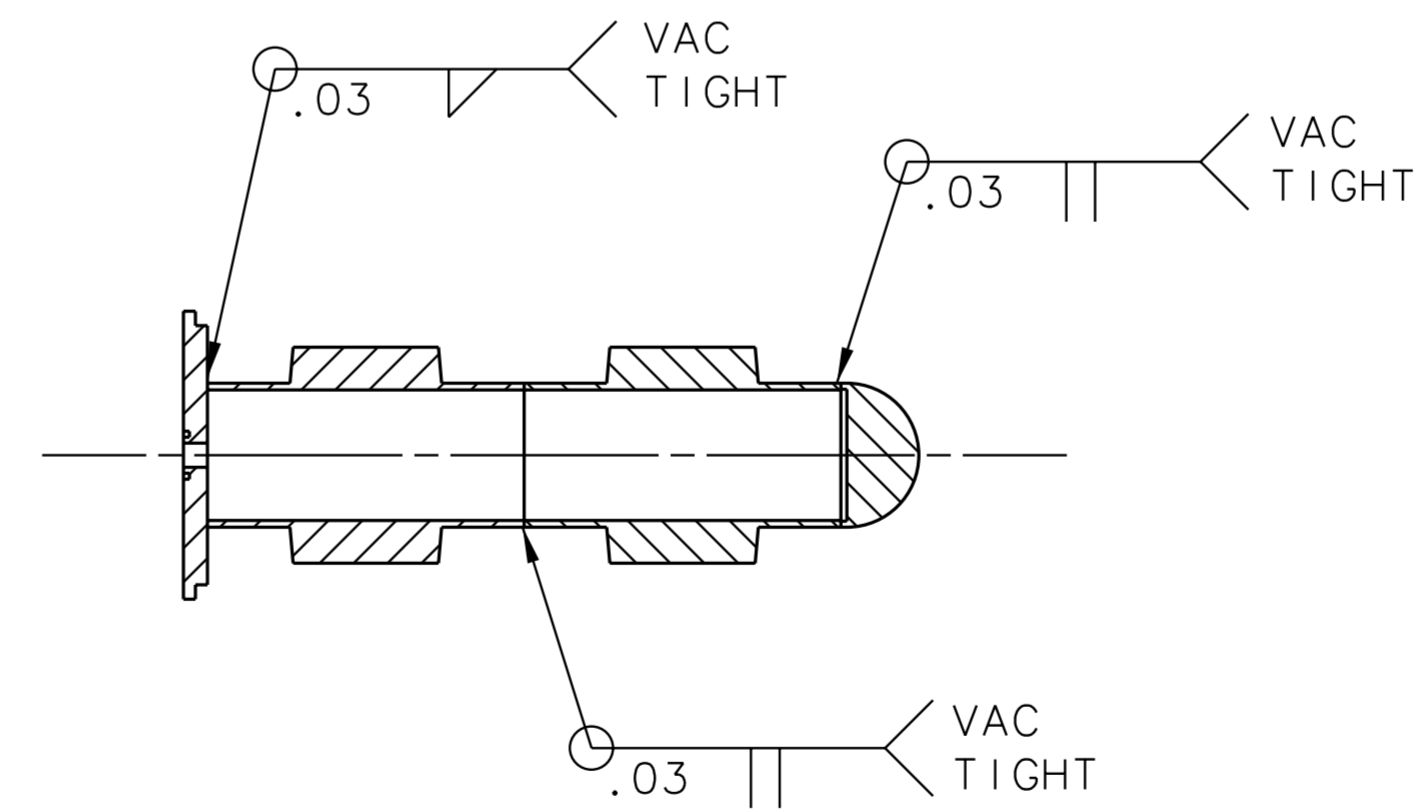
REVISION HISTORY				
ZONE	REV	DESCRIPTION	DATE	APPROVED



FRONT VIEW 1-3C



RT SIDE VIEW 1-2C



SECT VIEW 1-3A

QTY REQD	ITEM NO.	PART OR IDENTIFYING NO.	NOMENCLATURE OR DESCRIPTION	MATERIAL SPECIFICATION	NOTES
2	3	LESKER P/N MEW1120501E	WELDED BELLOWS	STAINLESS STEEL	-
1	2	A04018-03-01-1802	SPHERICAL END 3/4 IN	STAINLESS STEEL	-
1	1	A04018-03-01-1801	CARTRIDGE CAP	STAINLESS STEEL	-

PARTS LIST

DOCUMENT CONTROL STAMP	DIM & TOL PER ASME Y14.5 UNLESS OTHERWISE SPECIFIED DIMENSIONS ARE IN INCHES TOLERANCES ARE: FRACTIONS DECIMAL ANGLES ± N/A .X ± .1 ± .50° .XX ± .01 .XXX ± .005	TRACKING NO. N/A		 Thomas Jefferson National Accelerator Facility NEWPORT NEWS, VIRGINIA UNITED STATES DEPARTMENT OF ENERGY
		APPROVALS	DATE	
MATERIAL SEE PARTS LIST	THIRD ANGLE PROJECTION	DRAWN J. MILLER	15SEP06	HALL A - HE3HE4 TARGET - TARGET CELL CARTRIDGE ASSY FOR LOWER/UPPER BELLOWS WELDMENT
FINISH MACHINED SURFACES UNLESS OTHERWISE NOTED DEBURR & BREAK ALL SHARP EDGES		CHECKED A. GAVALYA	25SEP06	
		APPROVED J. GOMEZ	26SEP06	
DO NOT SCALE DRAWING		APPROVED P. BRINDZA	25SEP06	SIZE DWG. NO. REV. C A04018-03-01-1800 - SCALE 1:1 USED ON ASSY NO. A04018-03-01-1600 SHEET 1 OF 1