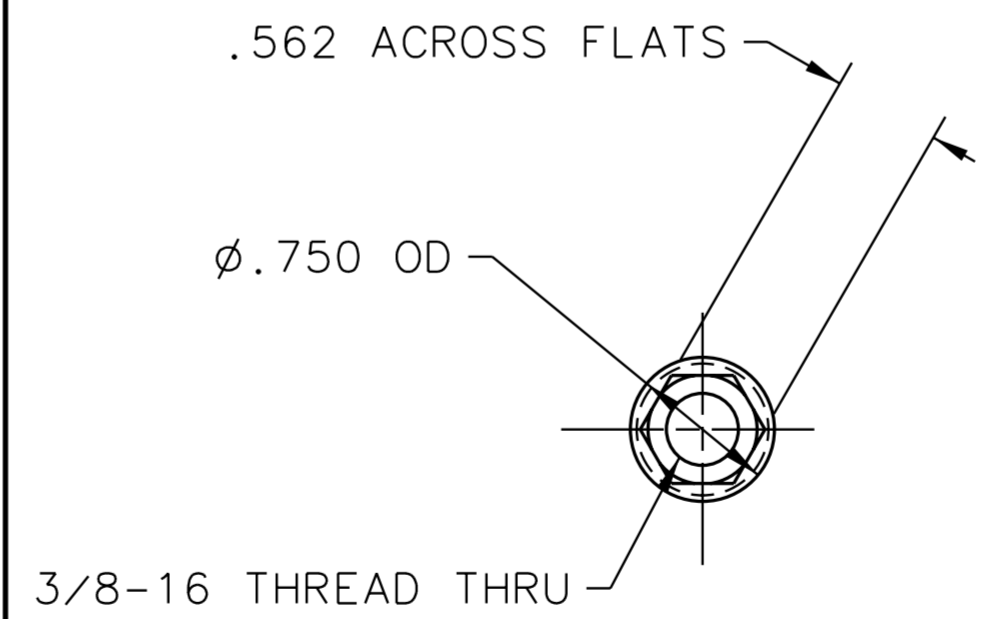
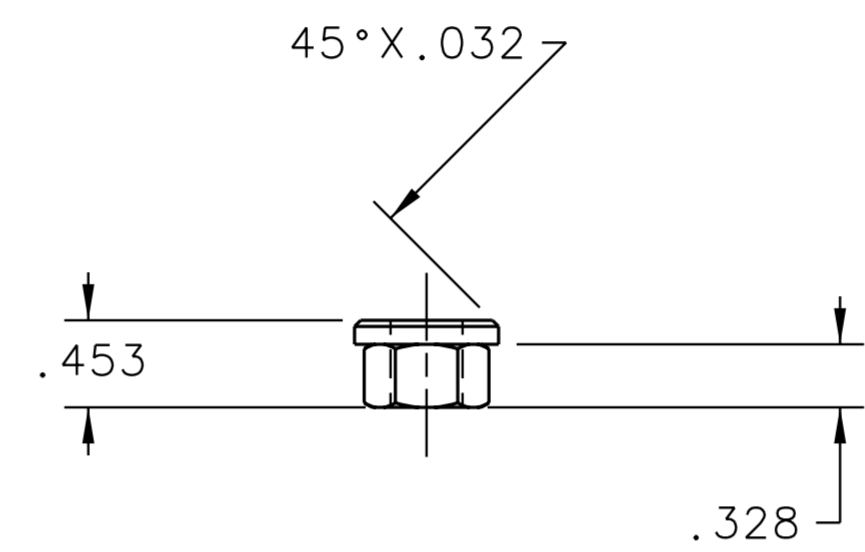


REVISION HISTORY			
REV	DESCRIPTION	DATE	APPROVED



DOCUMENT CONTROL STAMP	DIM & TOL PER ASME Y14.5 UNLESS OTHERWISE SPECIFIED DIMENSIONS ARE IN INCHES TOLERANCES ARE: FRACTIONS DECIMAL ANGLES ±N/A .X ±.1 ±.50° .XX ±.01 .XXX ±.005	TRACKING NO. N/A		 Thomas Jefferson National Accelerator Facility NEWPORT NEWS, VIRGINIA UNITED STATES DEPARTMENT OF ENERGY	
		APPROVALS	DATE		
MATERIAL STAINLESS STEEL	THIRD ANGLE PROJECTION	DRAWN J. MILLER	22SEP06	HALL A - HE3HE4 TARGET - TARGET CELL HRSBL COLLIMATOR 21 DEG ASSY MODIFIED HEX NUT 3/8-16	
FINISH MACHINED SURFACES DEBURR & BREAK ALL SHARP EDGES	UNLESS OTHERWISE NOTED 125	CHECKED A. GAVALYA	25SEP06	SIZE B	DWG. NO. A04018-03-01-1206
DO NOT SCALE DRAWING		APPROVED J. GOMEZ	26SEP06	SCALE 1:1	USED ON ASSY NO. A04018-03-01-1200 SHEET 1 OF 1
		APPROVED P. BRINDZA	25SEP06	REV. -	