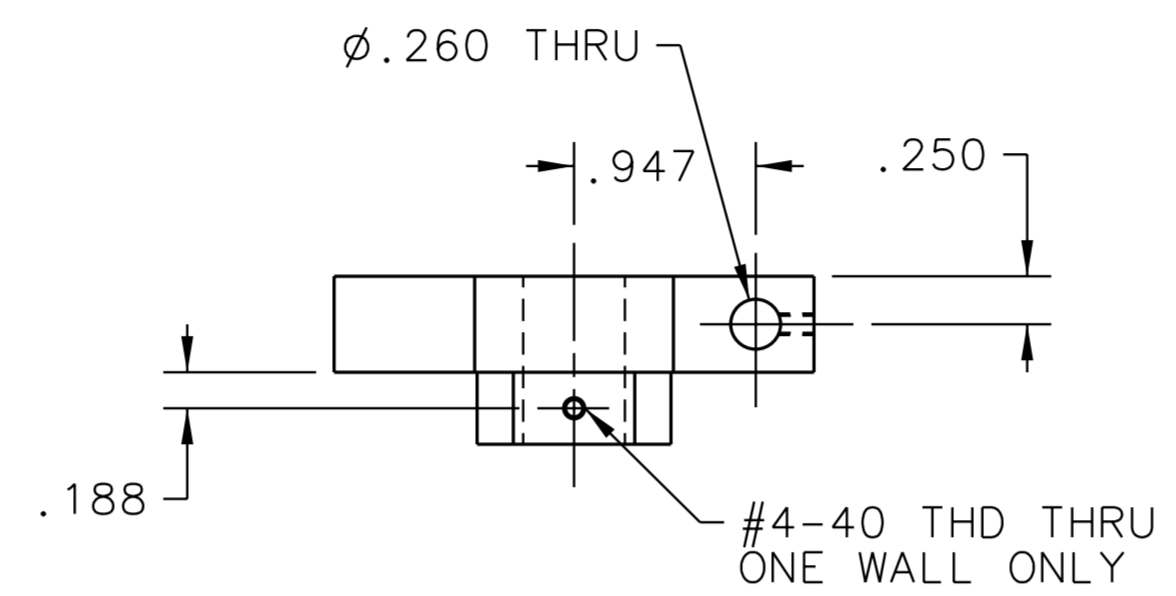
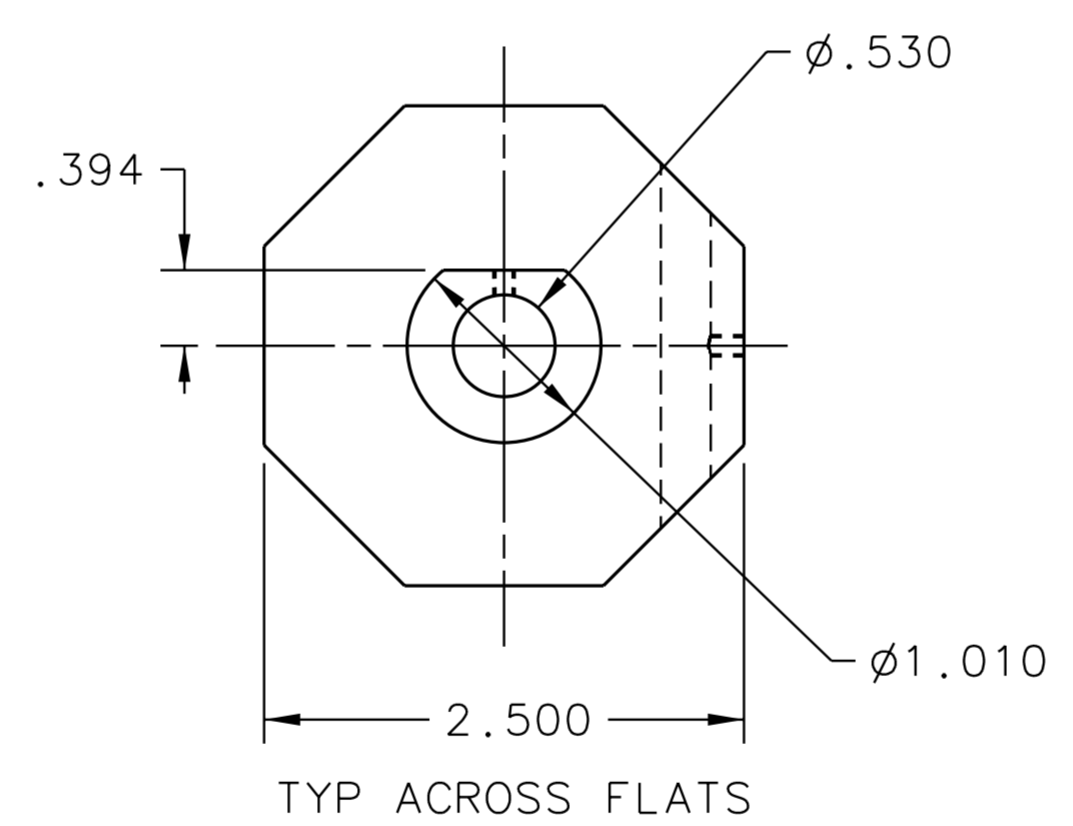


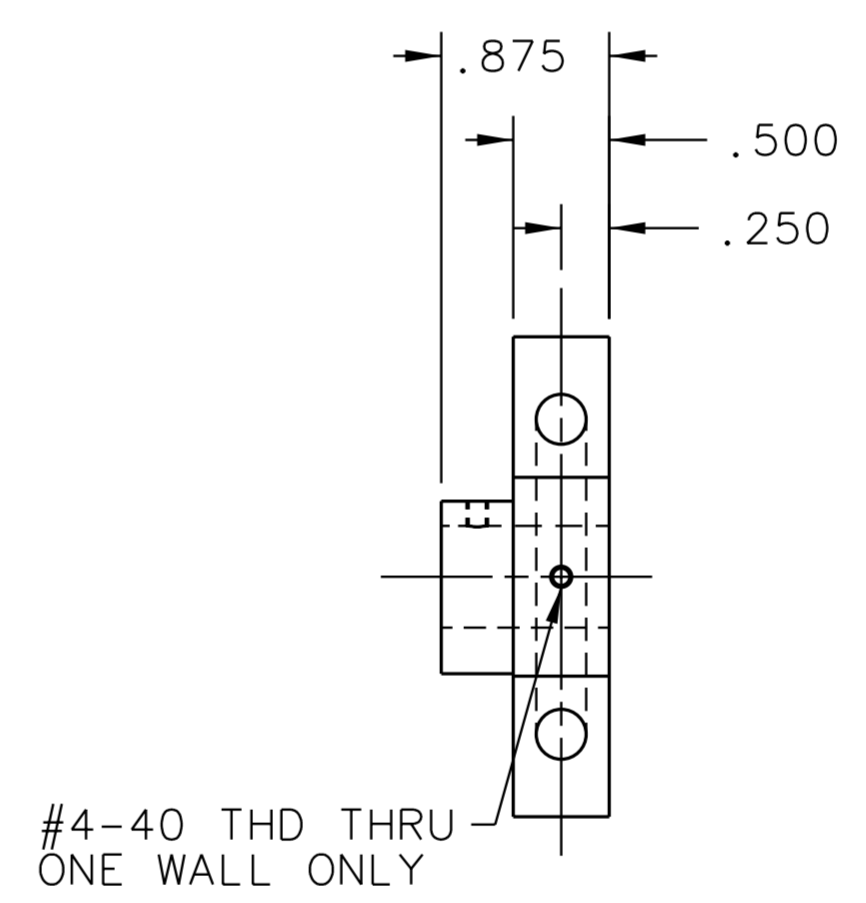
REVISION HISTORY				
ZONE	REV	DESCRIPTION	DATE	APPROVED



TOP VIEW 1-4D



FRONT VIEW 1-4B



RT SIDE VIEW 1-2B

DOCUMENT CONTROL STAMP	DIM & TOL PER ASME Y14.5 UNLESS OTHERWISE SPECIFIED DIMENSIONS ARE IN INCHES TOLERANCES ARE: FRACTIONS DECIMAL ANGLES ± N/A .X ± .1 ± .50° .XX ± .01 .XXX ± .005	TRACKING NO. N/A		 Thomas Jefferson National Accelerator Facility NEWPORT NEWS, VIRGINIA UNITED STATES DEPARTMENT OF ENERGY				
		APPROVALS	DATE					
MATERIAL ALUMINUM	THIRD ANGLE PROJECTION	DRAWN J. MILLER	18SEP06	HALL A - HE3HE4 TARGET - TARGET CELL LOWER OCTAGON 02				
FINISH MACHINED SURFACES UNLESS OTHERWISE NOTED DEBURR & BREAK ALL SHARP EDGES		CHECKED A. GAVALYA	25SEP06			SIZE C	DWG. NO. A04018-03-01-1402	REV. -
DO NOT SCALE DRAWING		APPROVED J. GOMEZ	26SEP06			SCALE 1:1	USED ON ASSY NO. A04018-03-01-1400	SHEET 1 OF 1
		APPROVED P. BRINDZA	25SEP06					