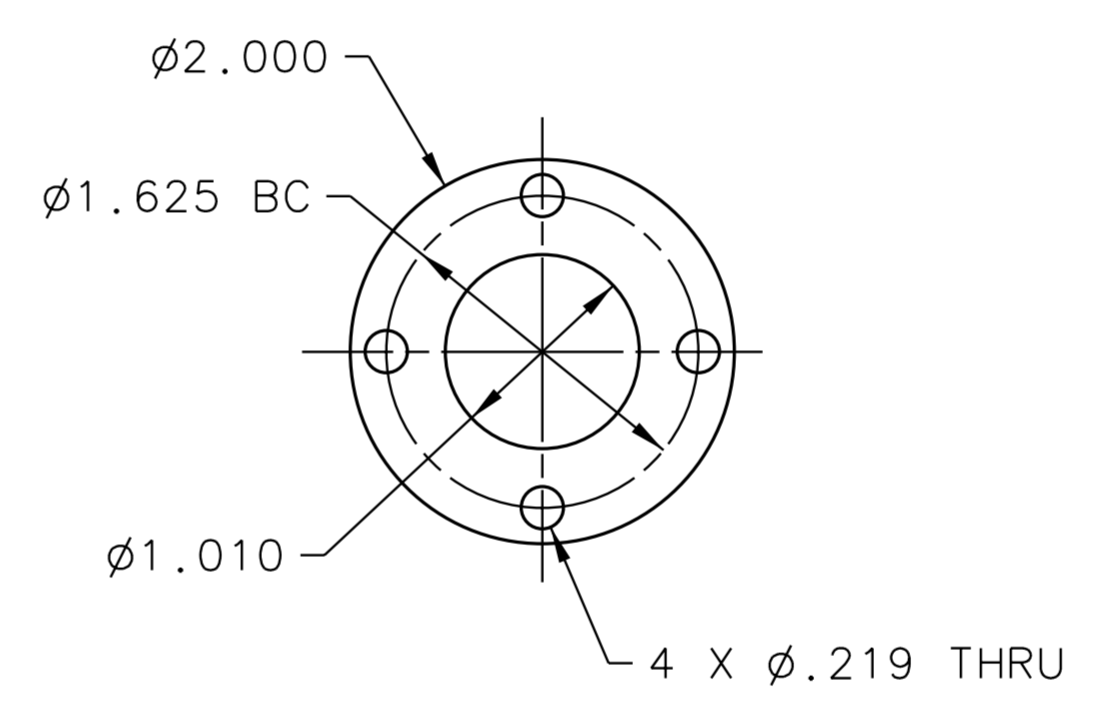


REVISION HISTORY			
REV	DESCRIPTION	DATE	APPROVED



FRONT VIEW

RT SIDE VIEW

DOCUMENT CONTROL STAMP	DIM & TOL PER ASME Y14.5, UNLESS OTHERWISE SPECIFIED DIMENSIONS ARE IN INCHES TOLERANCES ARE: FRACTIONS DECIMAL ANGLES ±N/A .X ±.1 ±.50° .XX ±.01 .XXX ±.005	TRACKING NO. N/A		 Thomas Jefferson National Accelerator Facility NEWPORT NEWS, VIRGINIA UNITED STATES DEPARTMENT OF ENERGY
		APPROVALS		
MATERIAL ALUMINUM	THIRD ANGLE PROJECTION	DRAWN J. MILLER	14SEP06	HALL A - HE3HE4 TARGET - TARGET CELL MOUNT RETAINER RING
FINISH 125 UNLESS OTHERWISE NOTED MACHINED SURFACES DEBURR & BREAK ALL SHARP EDGES		CHECKED A. GAVALYA	25SEP06	
DO NOT SCALE DRAWING		APPROVED J. GOMEZ	26SEP06	
		APPROVED P. BRINDZA	25SEP06	
		SIZE DWG. NO.	B A04018-03-01-1310	REV. -
		SCALE	1:1	USED ON ASSY NO. A04018-03-01-1300 SHEET 1 OF 1