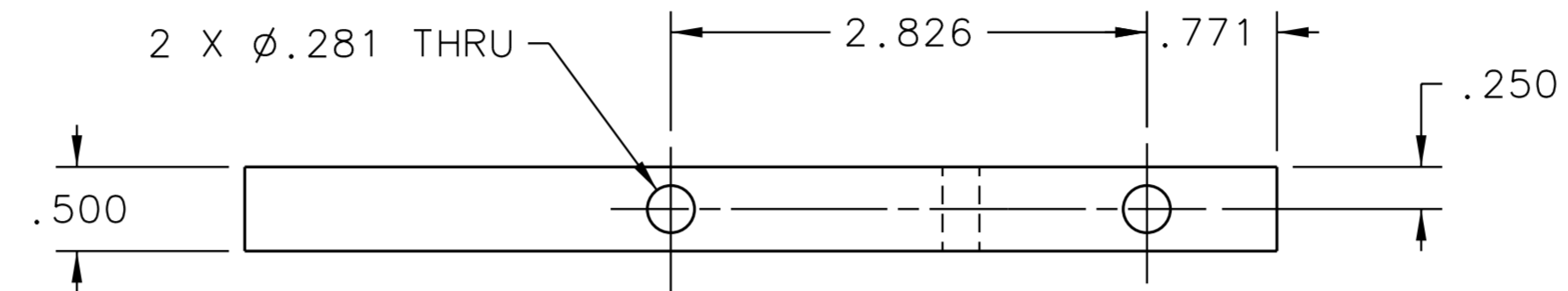
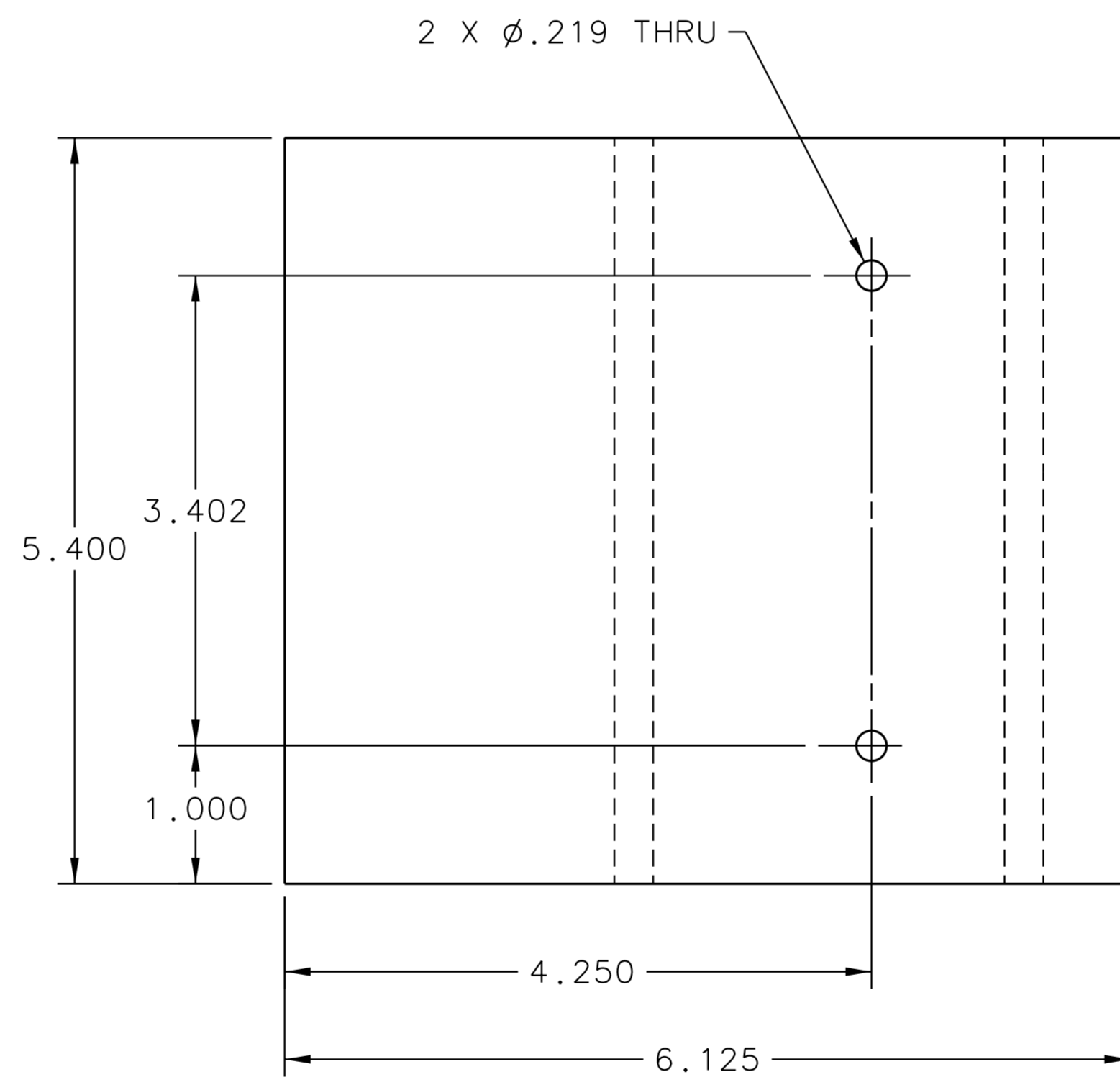


REVISION HISTORY				
ZONE	REV	DESCRIPTION	DATE	APPROVED


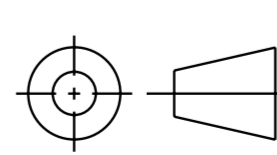


TOP VIEW 1-4D



FRONT VIEW 1-4B

NOTES:  
1. APPROX. WEIGHT 1.5 LBS.

DOCUMENT CONTROL STAMP	DIM & TOL PER ASME Y14.5 UNLESS OTHERWISE SPECIFIED DIMENSIONS ARE IN INCHES TOLERANCES ARE: FRACTIONS DECIMAL ANGLES ± N/A .X ± .1 ± .50° .XX ± .01 .XXX ± .005	TRACKING NO. N/A		 Thomas Jefferson National Accelerator Facility NEWPORT NEWS, VIRGINIA UNITED STATES DEPARTMENT OF ENERGY			
		APPROVALS	DATE				
MATERIAL ALUMINUM	THIRD ANGLE PROJECTION	DRAWN J. MILLER	14SEP06	HALL A - HE3HE4 TARGET - TARGET CELL MOUNT RT PLATE			
FINISH MACHINED SURFACES DEBURR & BREAK ALL SHARP EDGES		CHECKED A. GAVALYA	25SEP06			SIZE C	DWG. NO. A04018-03-01-1309
		APPROVED J. GOMEZ	26SEP06			SCALE 1:1	USED ON ASSY NO. A04018-03-01-1300
DO NOT SCALE DRAWING		APPROVED P. BRINDZA	25SEP06	SHEET 1 OF 1			