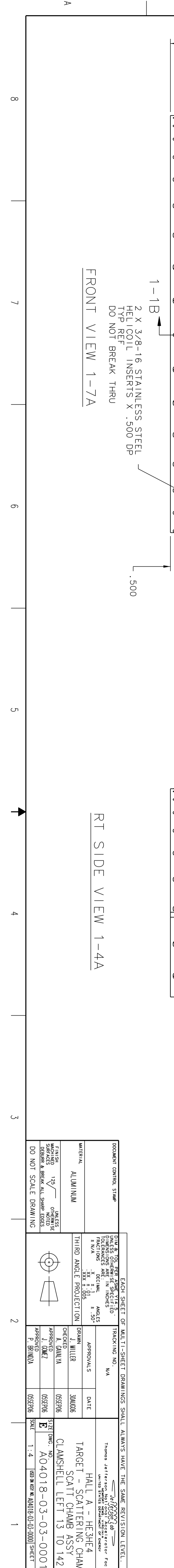
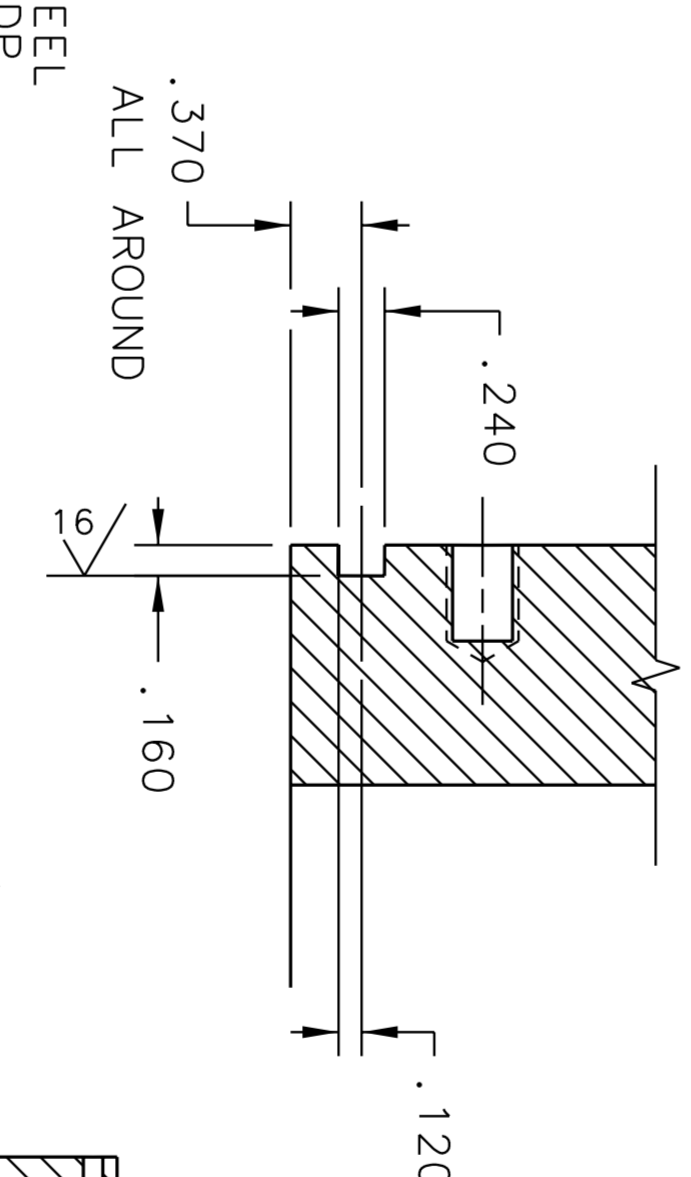
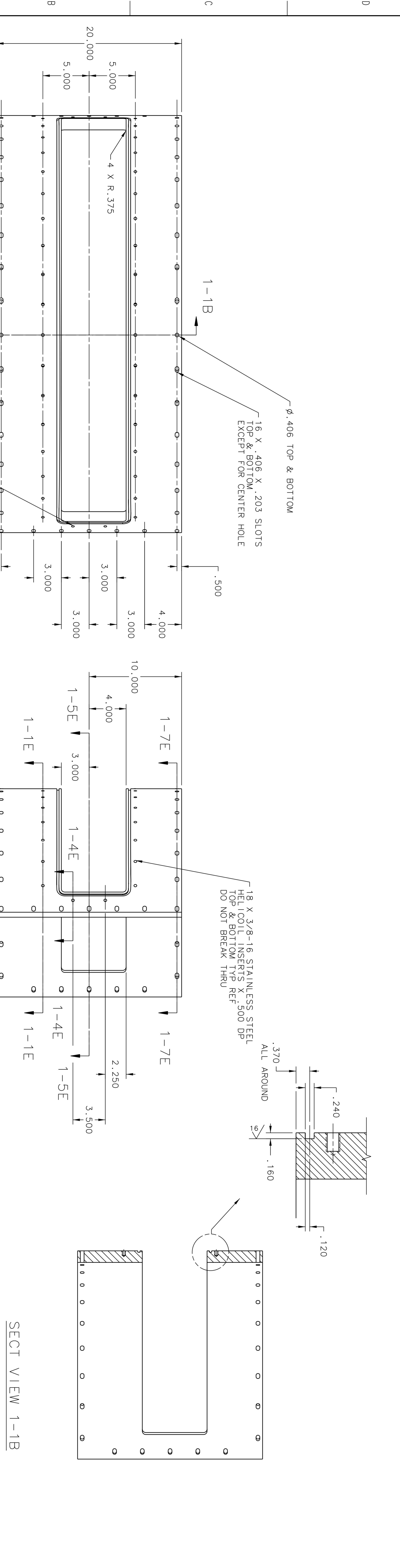
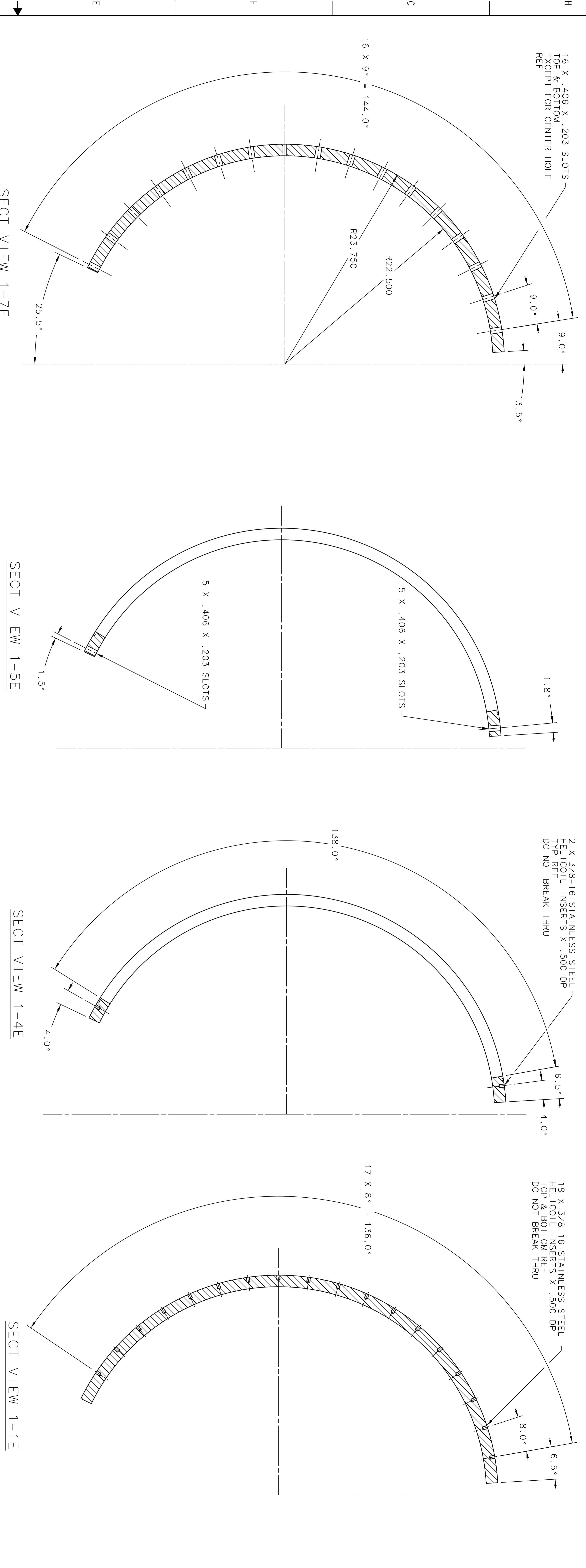


ZONE	REV	DESCRIPTION	DATE	APPROVED
1				
2				



DOCUMENT CONTROL STAMP		DATE & TIME FOR NEXT REVIEW		THIRD ANGLE PROJECTION		APPROVALS		DATE	
REVISIONS ARE IN INDICES		UNLESS OTHERWISE SPECIFIED		FIRST ANGLE PROJECTION		DRAWN		DATE	
DO NOT SCALE DRAWING		SCALE: 1:1		AS SHOWN		CHECKED		DATE	
						A. QUILIA		03/08	
						P. BRUNDA		03/08	

TARGET - SCATTERING CHAMBER
 QUAMSHILL LEFT 13 TO 142 DEG
 A04018-03-03-0001
 SHEET 1 OF 1