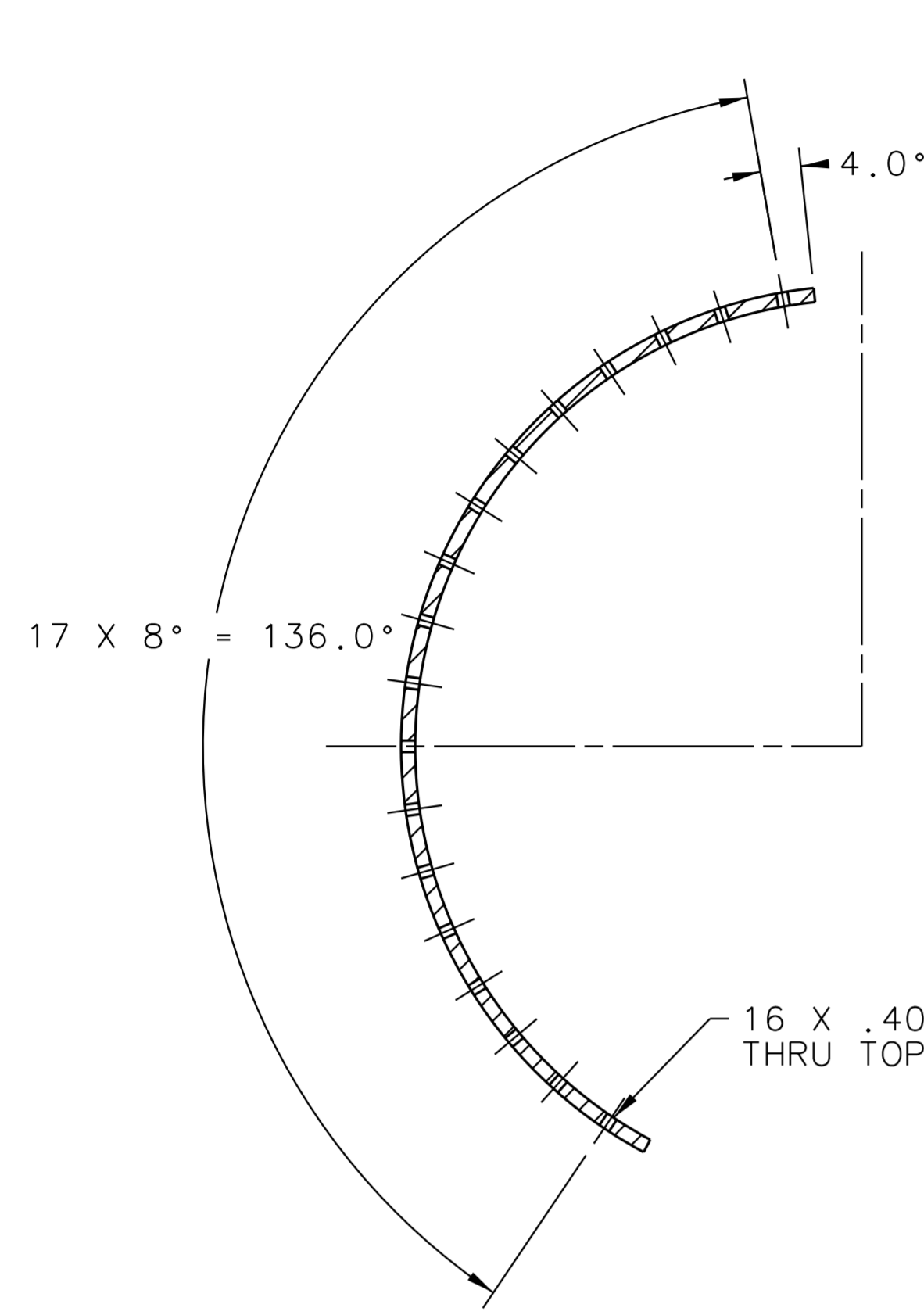
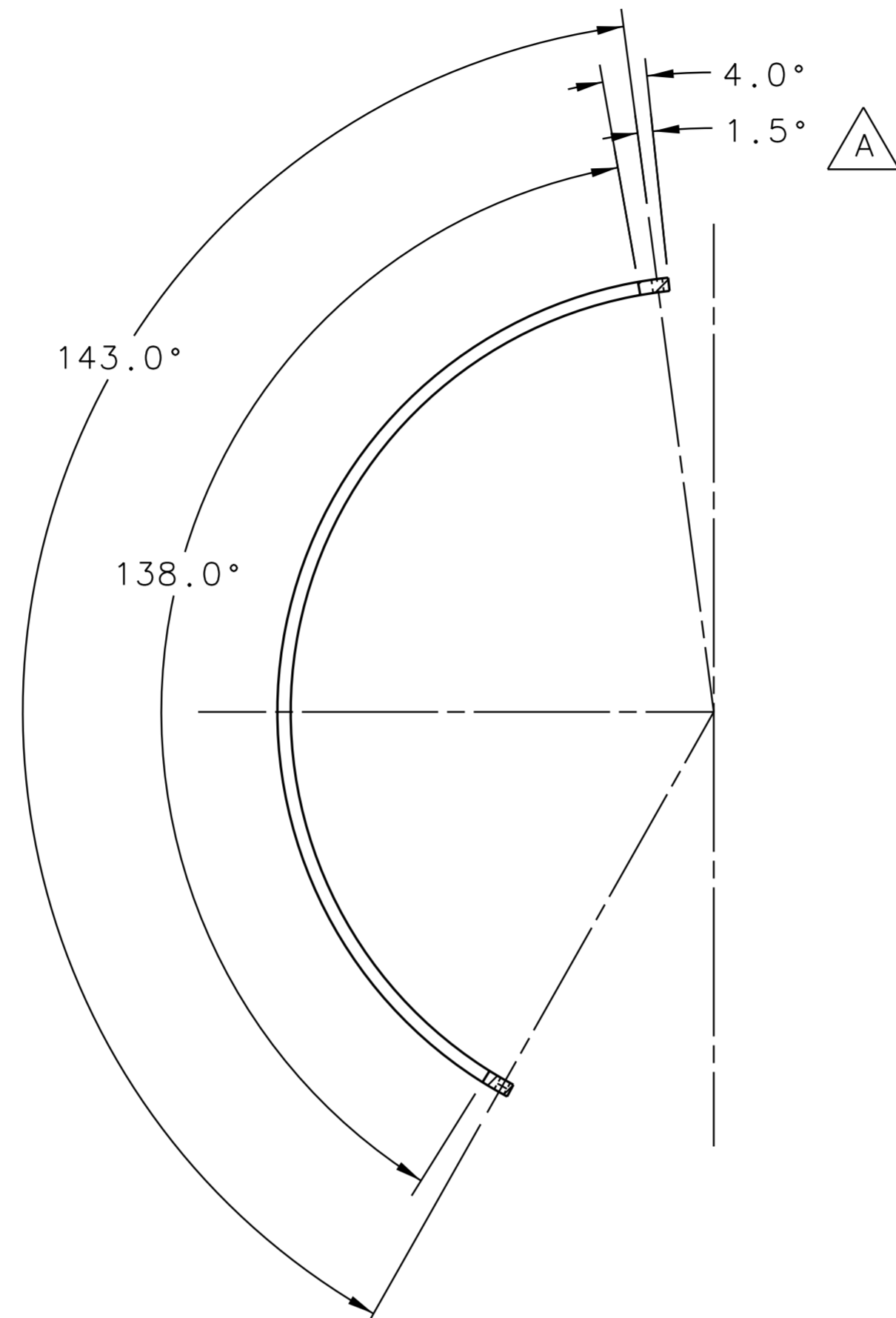


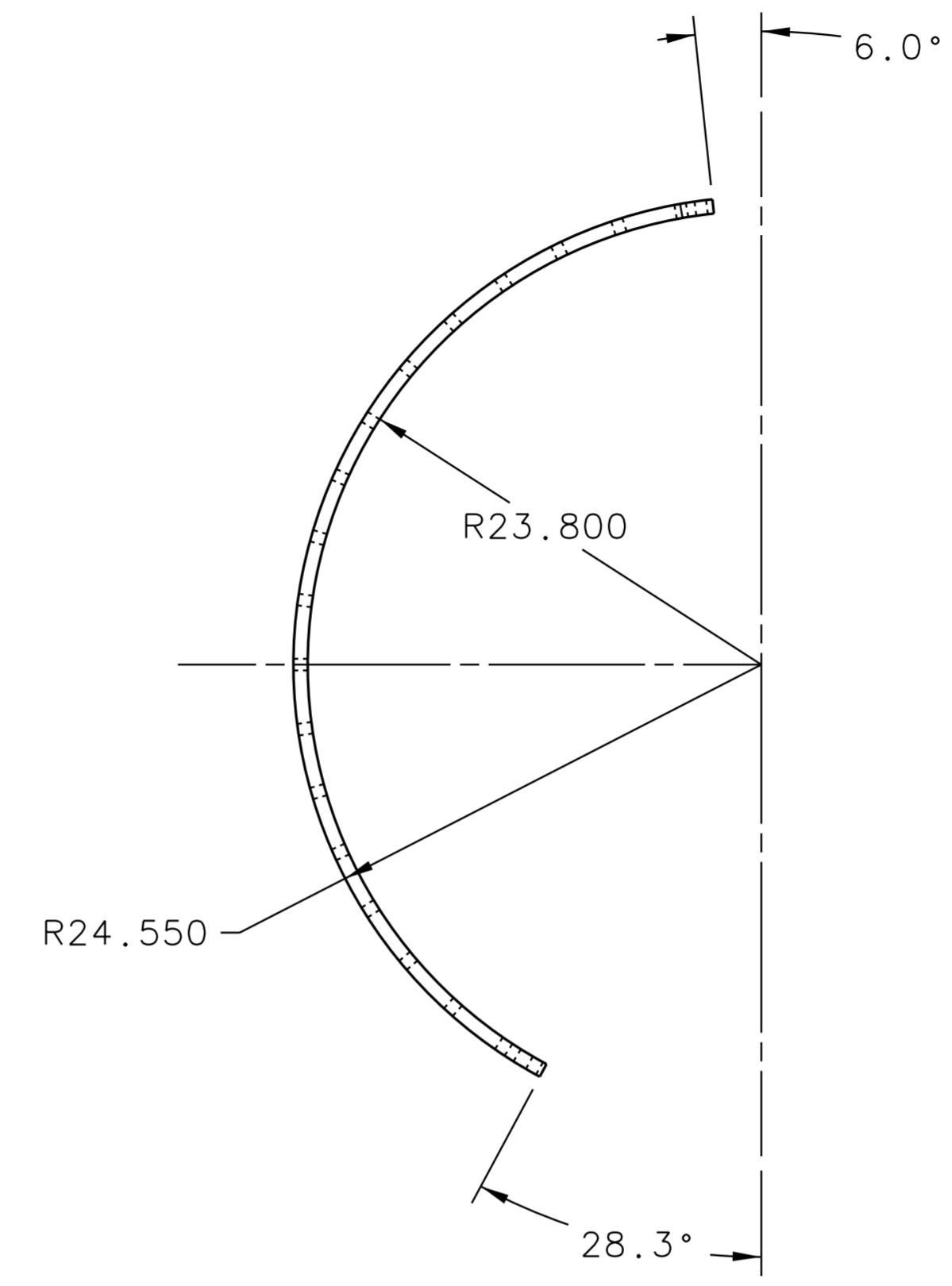
REVISION HISTORY				
ZONE	REV	DESCRIPTION	DATE	APPROVED
1-4E	A	ADDED 1.5° 143.0° DIMENSIONS TO SLOTTED HOLES	21SEP06	MILLER



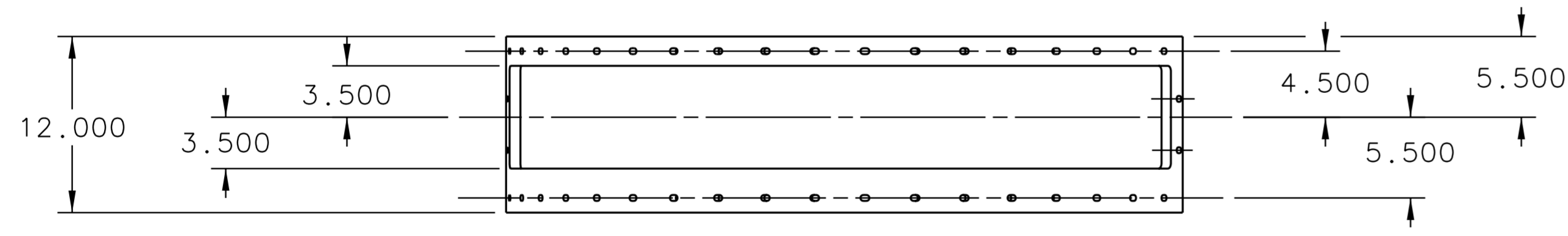
SECT VIEW 1-7C



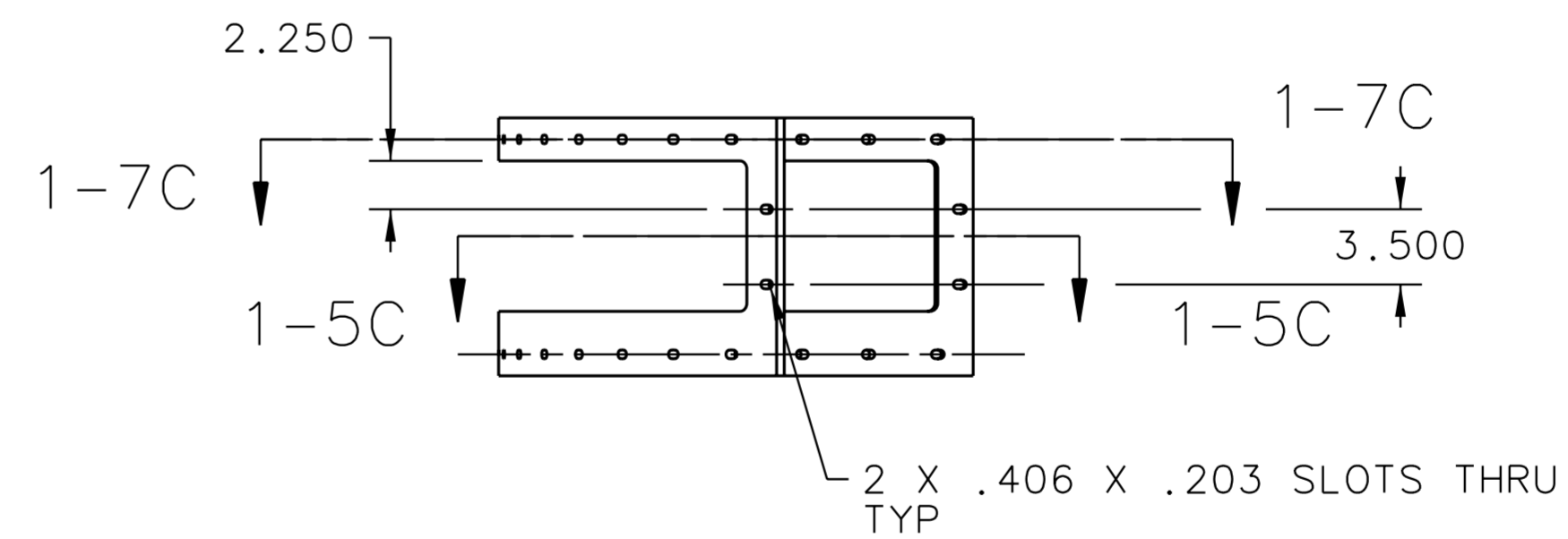
SECT VIEW 1-5C



TOP VIEW 1-3C



LEFT SIDE VIEW 1-6A



FRONT VIEW 1-3A

DOCUMENT CONTROL STAMP	DIM & TOL PER ASME Y14.5 UNLESS OTHERWISE SPECIFIED DIMENSIONS ARE IN INCHES TOLERANCES ARE: FRACTIONS DECIMAL ANGLES ± N/A .XX ± .01 ± .50° .XXX ± .005	TRACKING NO. N/A		 Thomas Jefferson National Accelerator Facility NEWPORT NEWS, VIRGINIA UNITED STATES DEPARTMENT OF ENERGY
		APPROVALS	DATE	
MATERIAL ALUMINUM	THIRD ANGLE PROJECTION	DRAWN J. MILLER	31AUG06	HALL A - HE3HE4 TARGET - SCATTERING CHAMBER SCATT CHAMB ASSY WINDOW FRAME LEFT 13 TO 142 DEG
FINISH MACHINED SURFACES DEBURR & BREAK ALL SHARP EDGES	UNLESS OTHERWISE NOTED	CHECKED A. CAVALYA	05SEP06	
DO NOT SCALE DRAWING		APPROVED J. COMEZ	05SEP06	
		APPROVED P. BRINDZA	05SEP06	
		SCALE 1:8		SIZE DWG. NO. A04018-03-03-0002 USED ON ASSY NO. A04018-03-03-0000 SHEET 1 OF 1