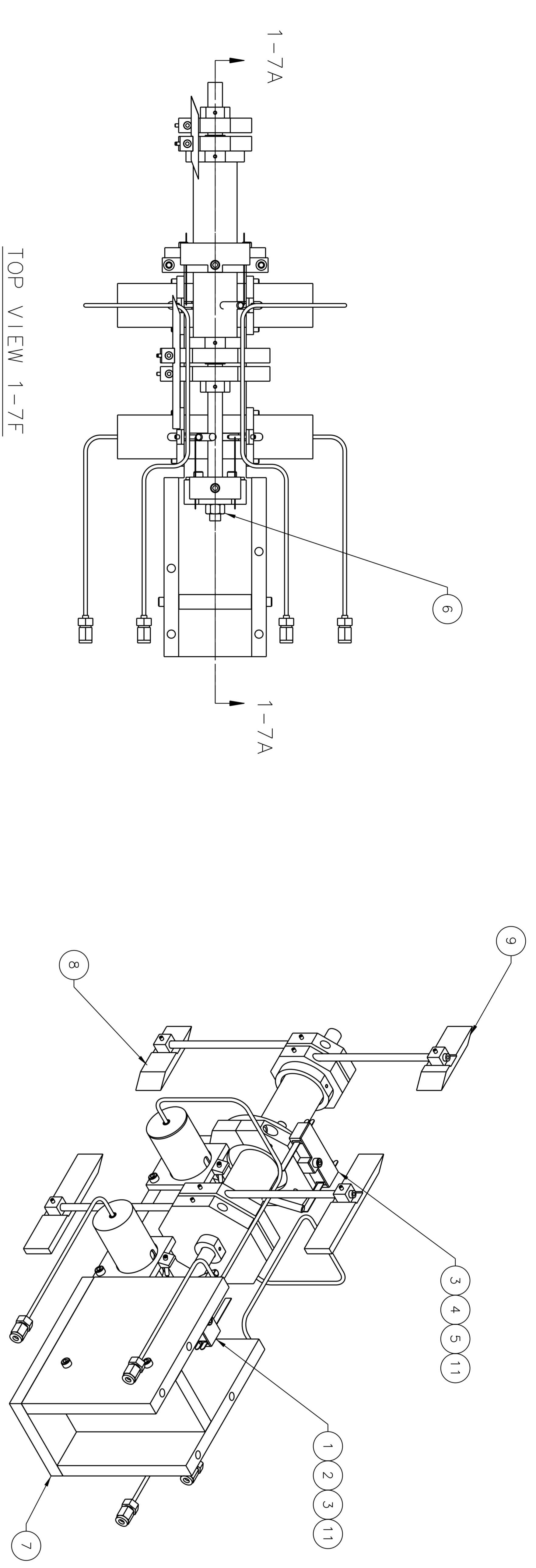
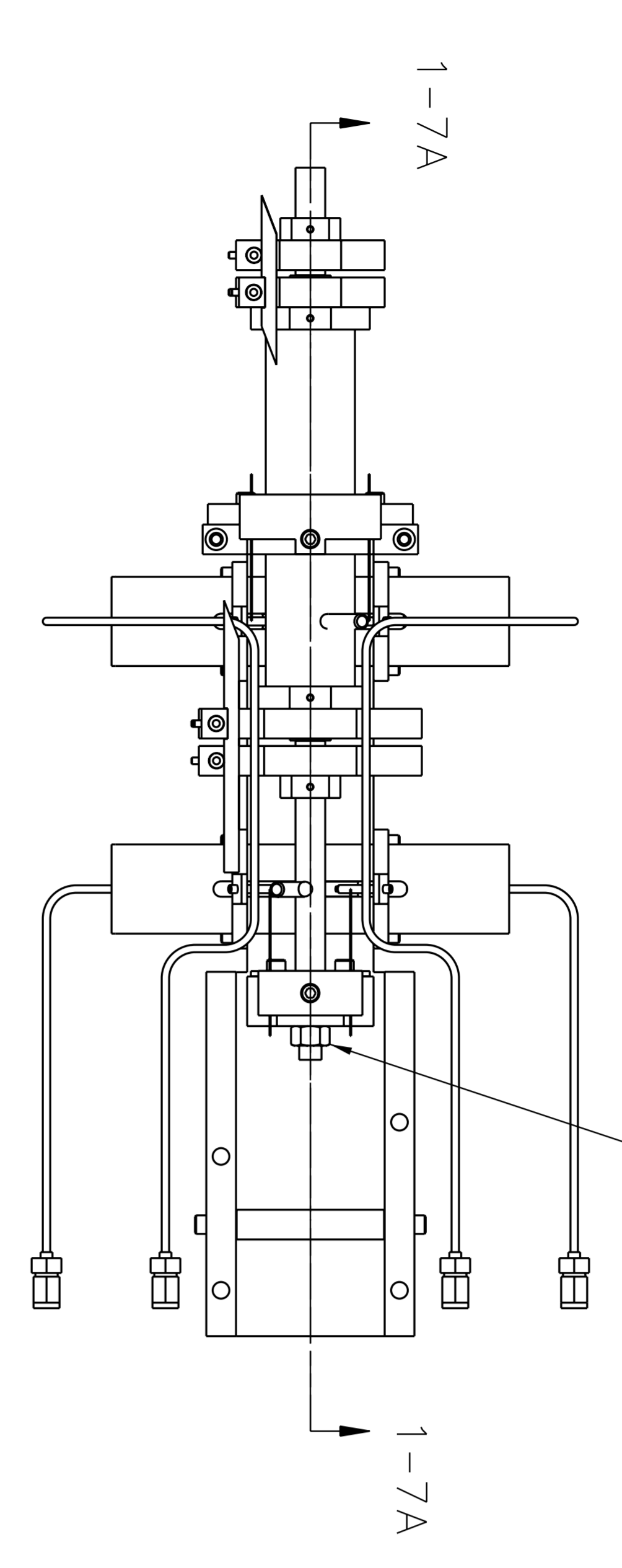


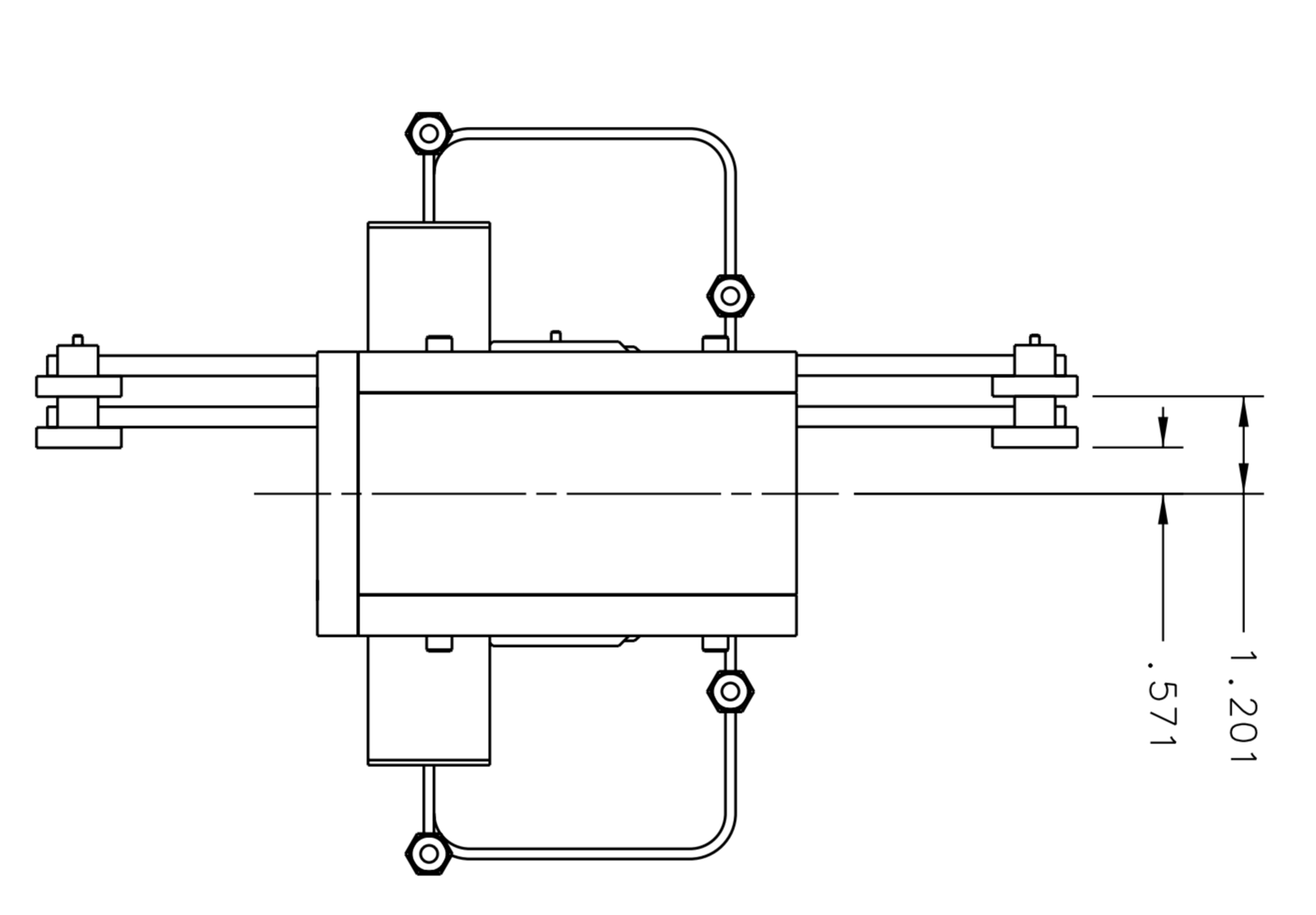
ZONE	REV	DESCRIPTION	DATE	APPROVED
		REVISION HISTORY		



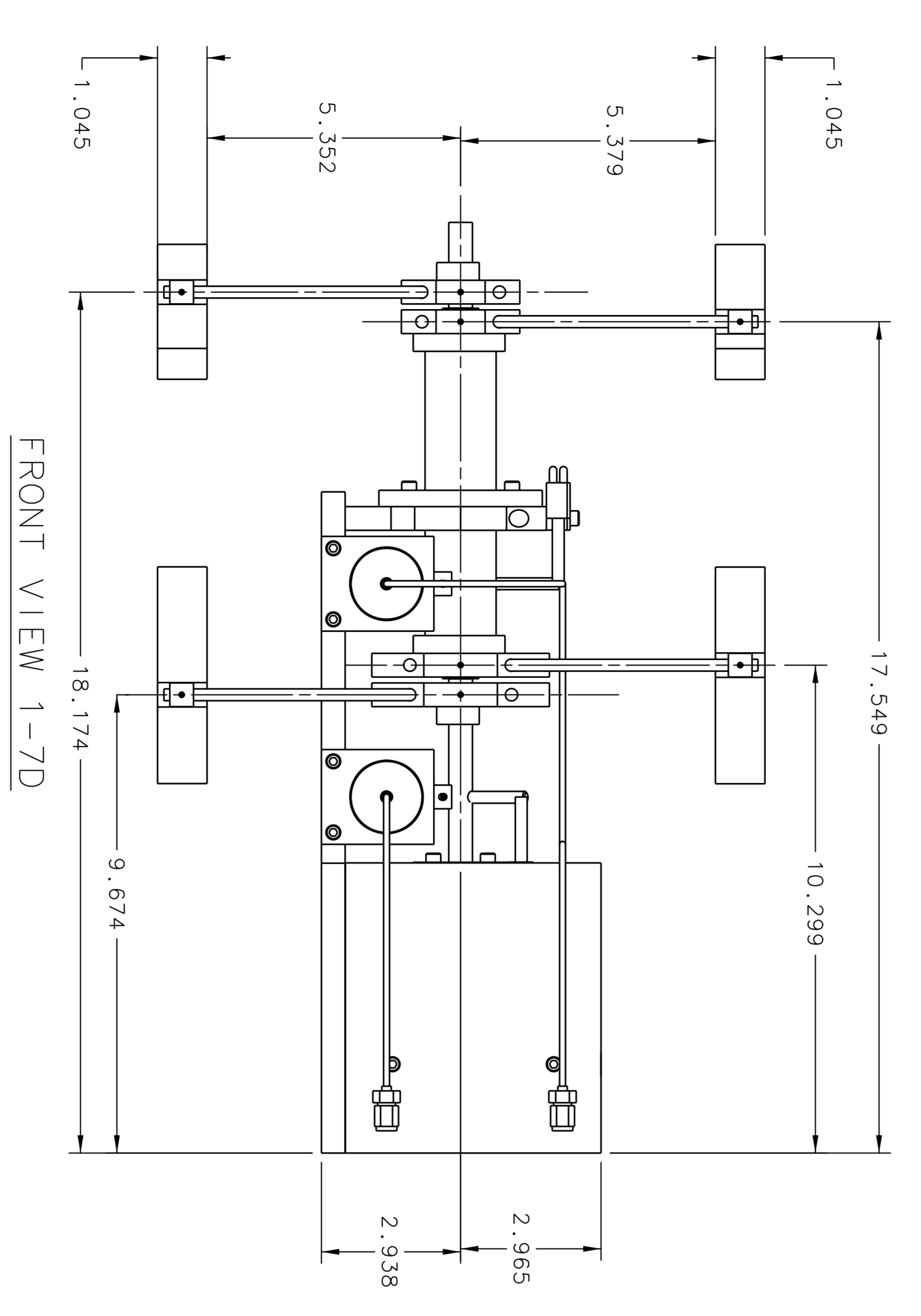
ISO VIEW 1-4F



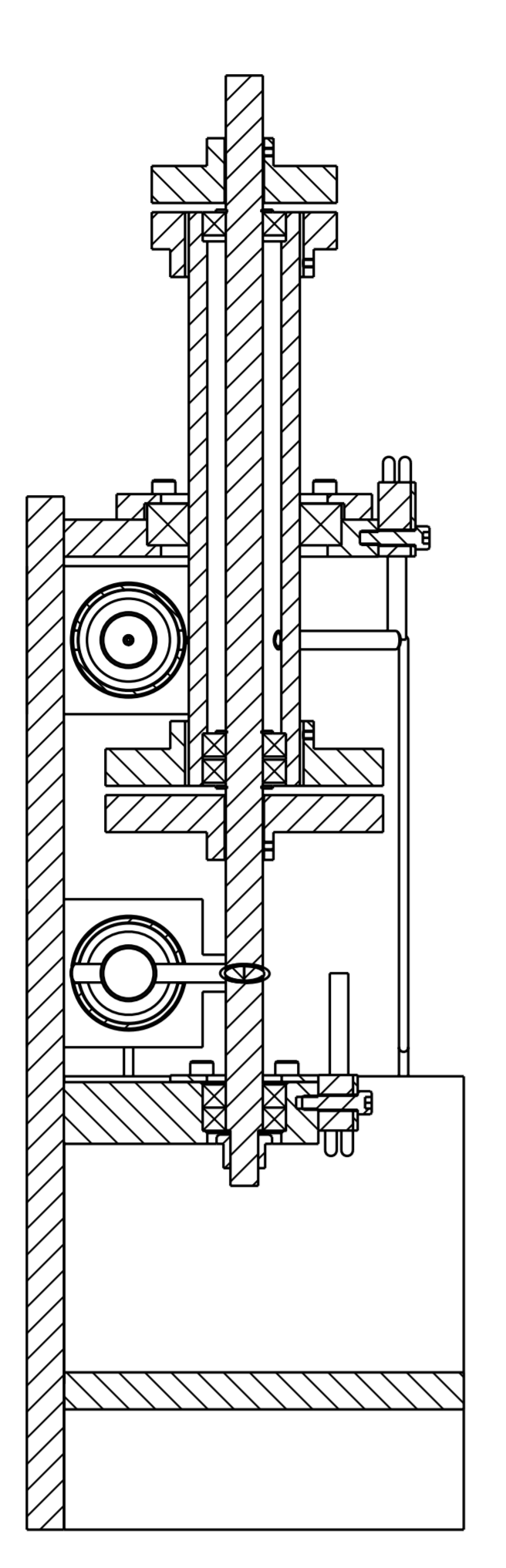
TOP VIEW 1-7F



RT SIDE VIEW 1-4D



FRONT VIEW 1-7D



SECT VIEW 1-7A

QTY	TIME	DESCRIPTION	REVISION	DATE	BY	CHKD	APP'D	NOTES
2	11	SINCS #10-32 X .75 LG						
-	10							
1	9	A04018-03-01-1500	UPPER					COMPOSITE
1	8	A04018-03-01-1400	LOWER					COMPOSITE
1	7	A04018-03-01-1300	MOUNT					COMPOSITE
1	6	A04018-03-01-1206	MODIFIED HEX NUT 3/8-16					STAINLESS STEEL
1	5	A04018-03-01-1205	TOP BRACKET FRONT					ALUMINUM
1	4	A04018-03-01-1204	BTM BRACKET FRONT					ALUMINUM
4	3	A04018-03-01-1203	MODIFIED PHENOLIC BREAK SWITCH					COMPOSITE
1	2	A04018-03-01-1202	TOP BRACKET REAR					ALUMINUM
1	1	A04018-03-01-1201	BTM BRACKET REAR					ALUMINUM

EACH SHEET OF MULTI-SHEET DRAWINGS SHALL ALWAYS HAVE THE SAME REVISION LEVEL.

DATE: 2/28/06
 TIME: 10:40 AM
 BY: J. BRUNDA
 CHKD: P. BRUNDA
 APP'D: P. BRUNDA

DOCUMENT CONTROL STAMP

REVISION: 1-2

DATE: 2/28/06

BY: J. BRUNDA

CHKD: P. BRUNDA

APP'D: P. BRUNDA

DO NOT SCALE DRAWING

8 7 6 5 4 3 2 1