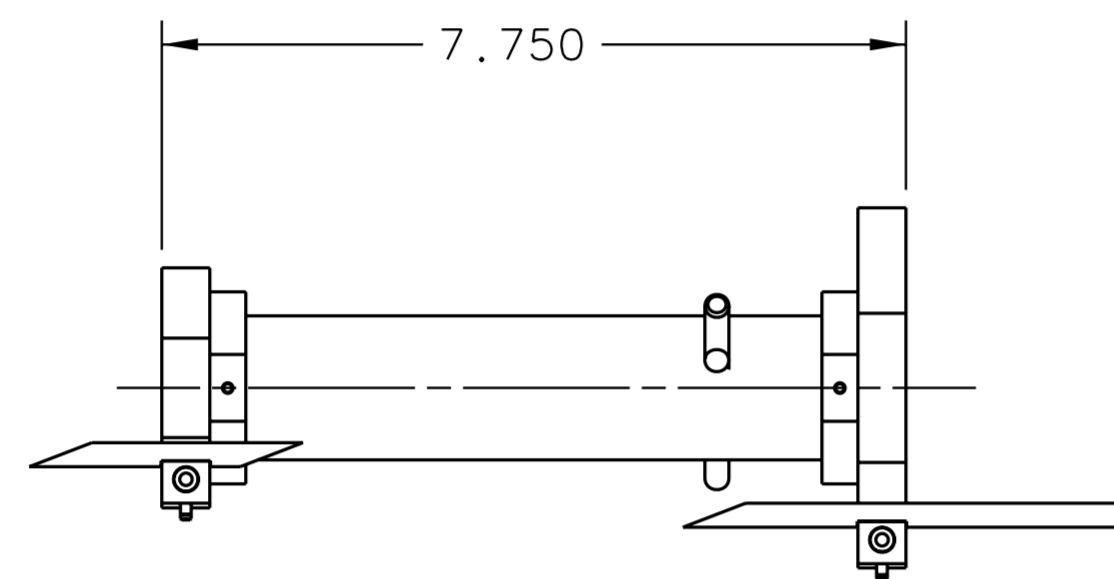
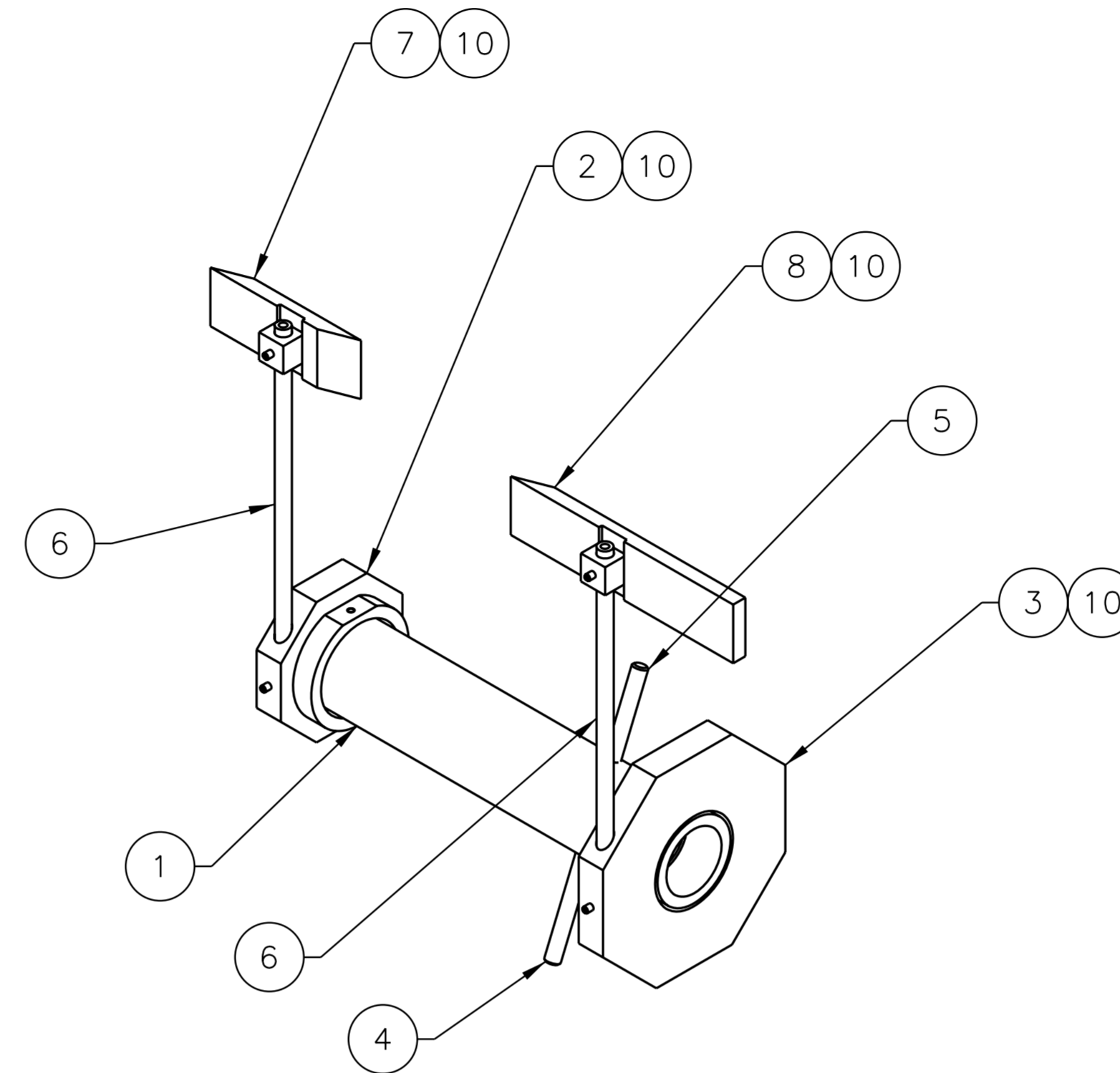


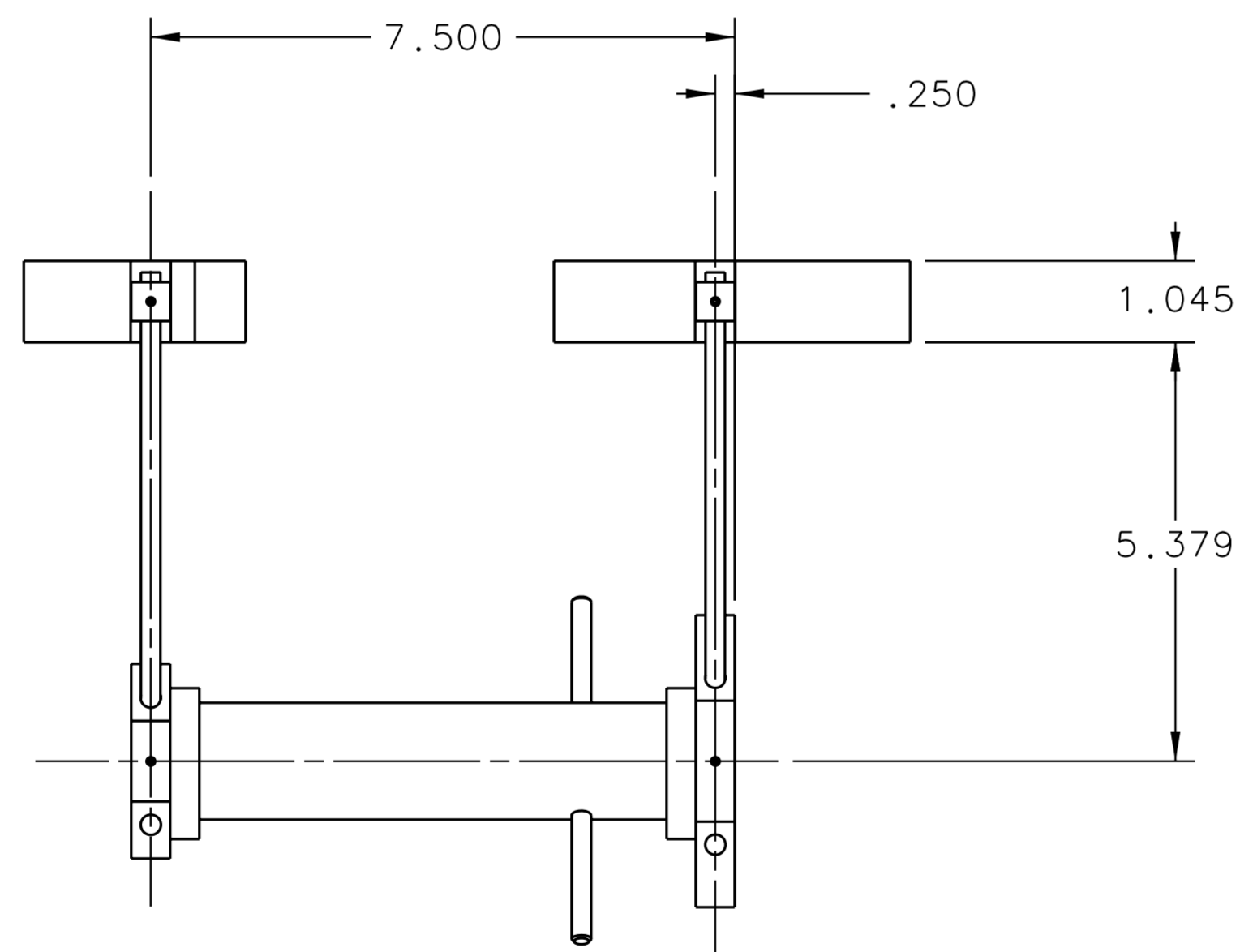
REVISION HISTORY				
ZONE	REV	DESCRIPTION	DATE	APPROVED



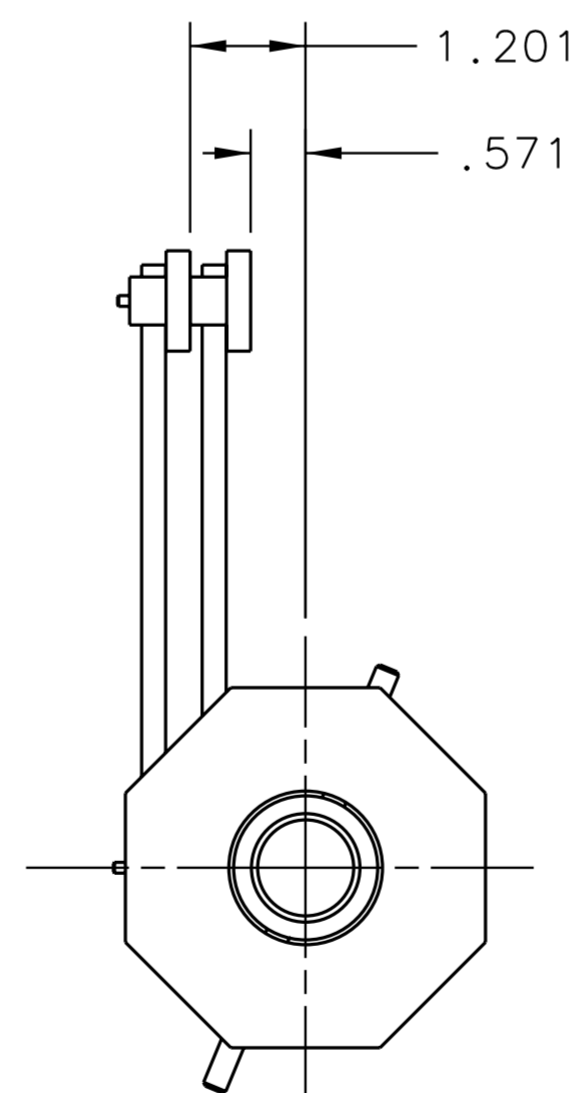
TOP VIEW 1-7C



ISO VIEW 1-4C



FRONT VIEW 1-7A



RT SIDE VIEW 1-5A

QTY REQD	ITEM NO.	PART OR IDENTIFYING NO.	NOMENCLATURE OR DESCRIPTION	MATERIAL SPECIFICATION	NOTES
4	10	-	HEX SOC HD HALF DOG PT SET SCREW #4-40 X .25 IN LG	STAINLESS STEEL	-
-	9	-	-	-	-
1	8	A04018-03-01-2200	HRSBL BACKWARD COLL WLDMNT FOR UPPER	COMPOSITE	-
1	7	A04018-03-01-2100	HRSBL FORWARD COLL WLDMNT FOR UPPER	COMPOSITE	-
2	6	A04018-03-01-1405	TUBE, .25 OD X 6.5 LG	STAINLESS STEEL	-
1	5	A04018-03-01-1505	PIN, .25 DIA X 1.75	G-10	-
1	4	A04018-03-01-1504	PIN, .25 DIA X 2	STAINLESS STEEL	-
1	3	A04018-03-01-1503	OCTAGON 03	ALUMINUM	-
1	2	A04018-03-01-1502	OCTAGON 01	ALUMINUM	-
1	1	A04018-03-01-1501	OUTER SHAFT	STAINLESS STEEL	-

DOCUMENT CONTROL STAMP

MATERIAL: SEE PARTS LIST

FINISH: UNLESS MACHINED SURFACES DEBURR & BREAK ALL SHARP EDGES

UNLESS OTHERWISE SPECIFIED DIMENSIONS ARE IN INCHES TOLERANCES ARE:

FRACTIONS	DECIMAL	ANGLES
± N/A	.XX ± .01	± .50°
	.XXX ± .005	

THIRD ANGLE PROJECTION

DO NOT SCALE DRAWING

TRACKING NO. N/A

APPROVALS:

DRAWN	J. MILLER	DATE	19SEP06
CHECKED	A. CAVALYA	DATE	27SEP06
APPROVED	P. BRINDZA	DATE	27SEP06
APPROVED	J. COMEZ	DATE	27SEP06

Jefferson Lab
Thomas Jefferson National Accelerator Facility
NEWPORT NEWS, VIRGINIA
UNITED STATES DEPARTMENT OF ENERGY

HALL A - HE3HE4
TARGET - TARGET CELL
HRSBL COLLIMATOR 21 DEG ASSY
UPPER

SIZE: D DWG. NO. A04018-03-01-1500 REV. -

SCALE: 1:2 USED ON ASSY NO. A04018-03-01-1200 SHEET 1 OF 1