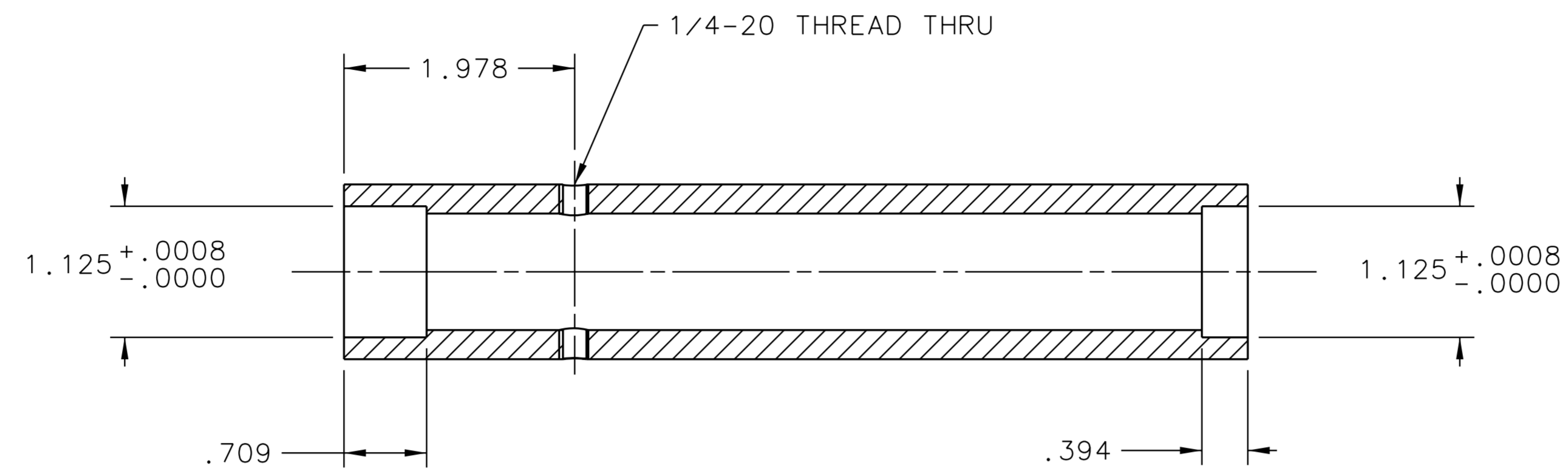
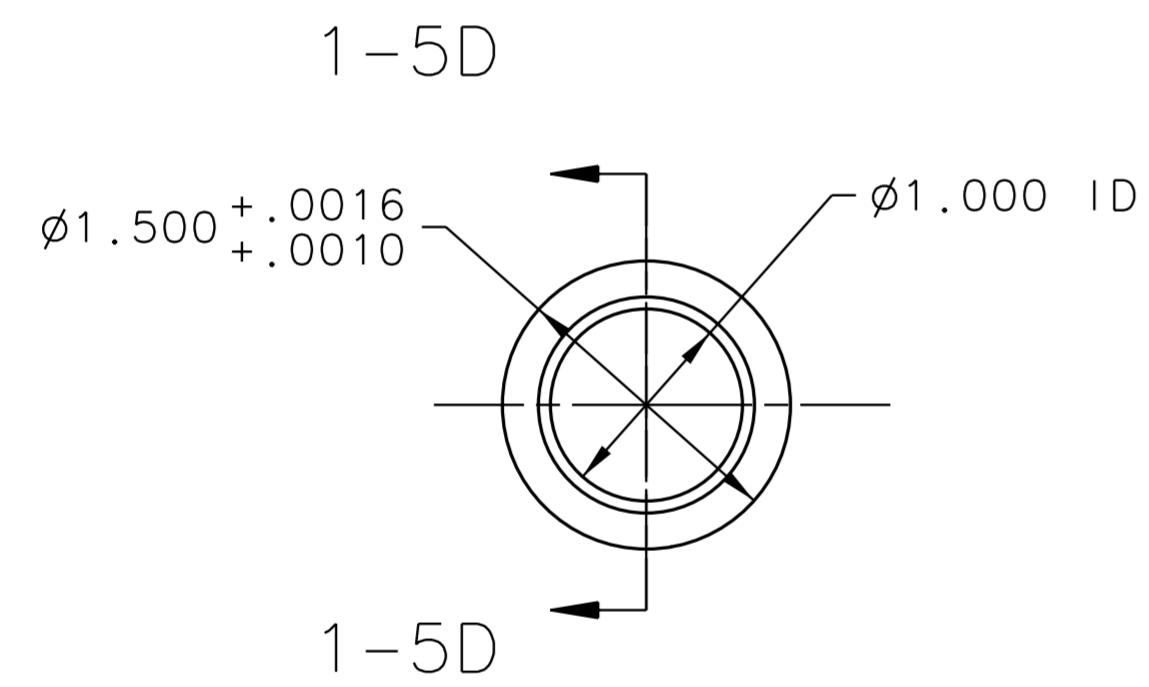


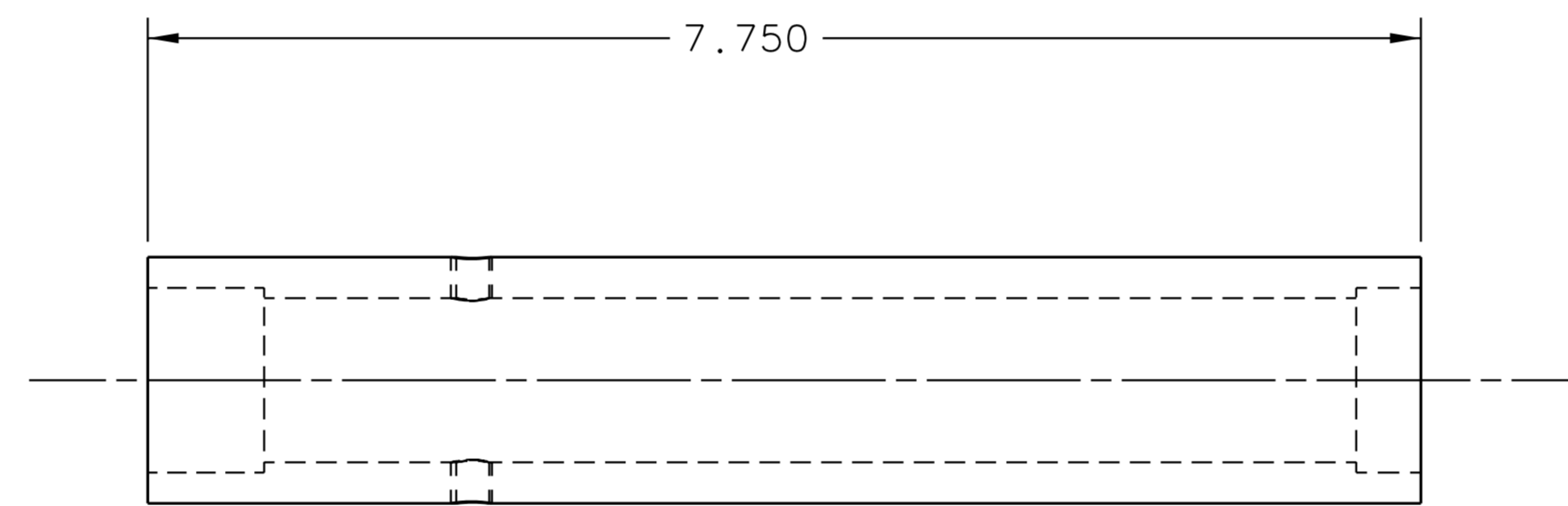
REVISION HISTORY				
ZONE	REV	DESCRIPTION	DATE	APPROVED



SECT VIEW 1-5D



FRONT VIEW 1-7B



RT SIDE VIEW 1-5B

DOCUMENT CONTROL STAMP	DIM & TOL PER ASME Y14.5 UNLESS OTHERWISE SPECIFIED DIMENSIONS ARE IN INCHES TOLERANCES ARE: FRACTIONS DECIMAL ANGLES ± N/A .X ± .1 ± .50° .XX ± .01 .XXX ± .005	TRACKING NO. N/A		 Thomas Jefferson National Accelerator Facility NEWPORT NEWS, VIRGINIA UNITED STATES DEPARTMENT OF ENERGY
		APPROVALS	DATE	
MATERIAL STAINLESS STEEL	THIRD ANGLE PROJECTION	DRAWN J. MILLER	19SEP06	HALL A - HE3HE4 TARGET - TARGET CELL UPPER OUTER SHAFT
FINISH MACHINED SURFACES DEBURR & BREAK ALL SHARP EDGES	UNLESS OTHERWISE NOTED	CHECKED A. CAVALYA	25SEP06	
DO NOT SCALE DRAWING		APPROVED J. COMEZ	26SEP06	
		APPROVED P. BRINDZA	25SEP06	
		SIZE D	DWG. NO. A04018-03-01-1501	REV. -
		SCALE 1:1	USED ON ASSY NO. A04018-03-01-1500	SHEET 1 OF 1