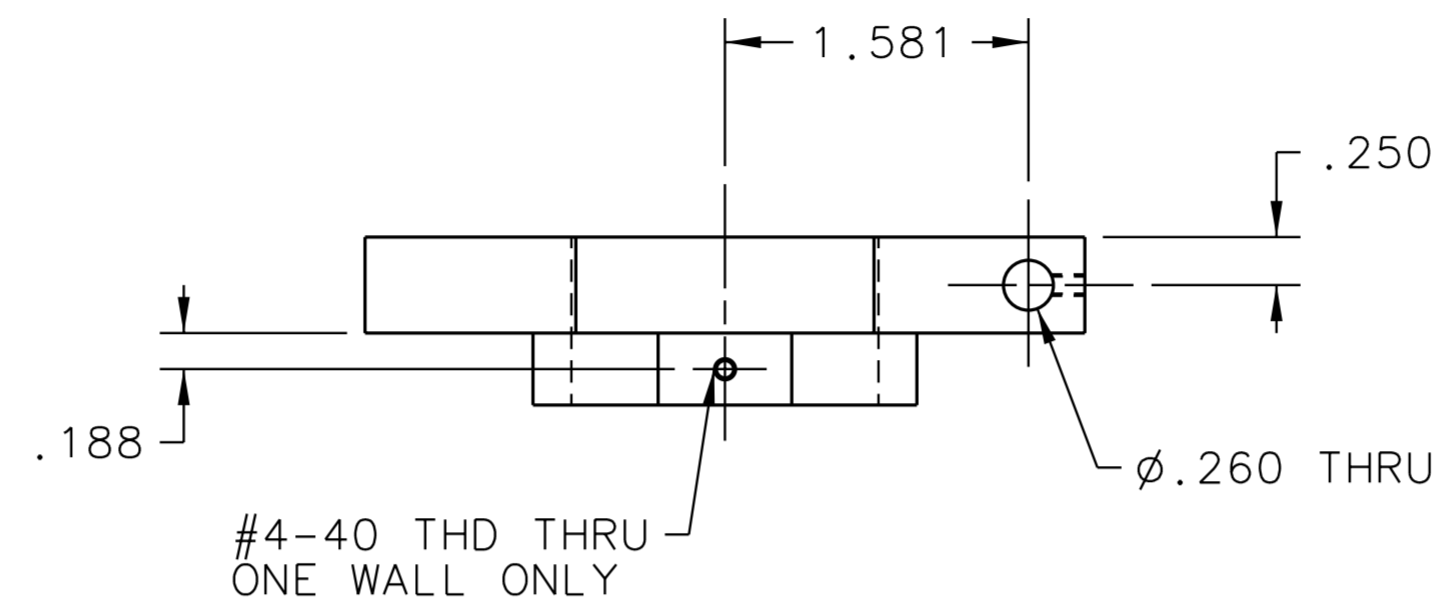
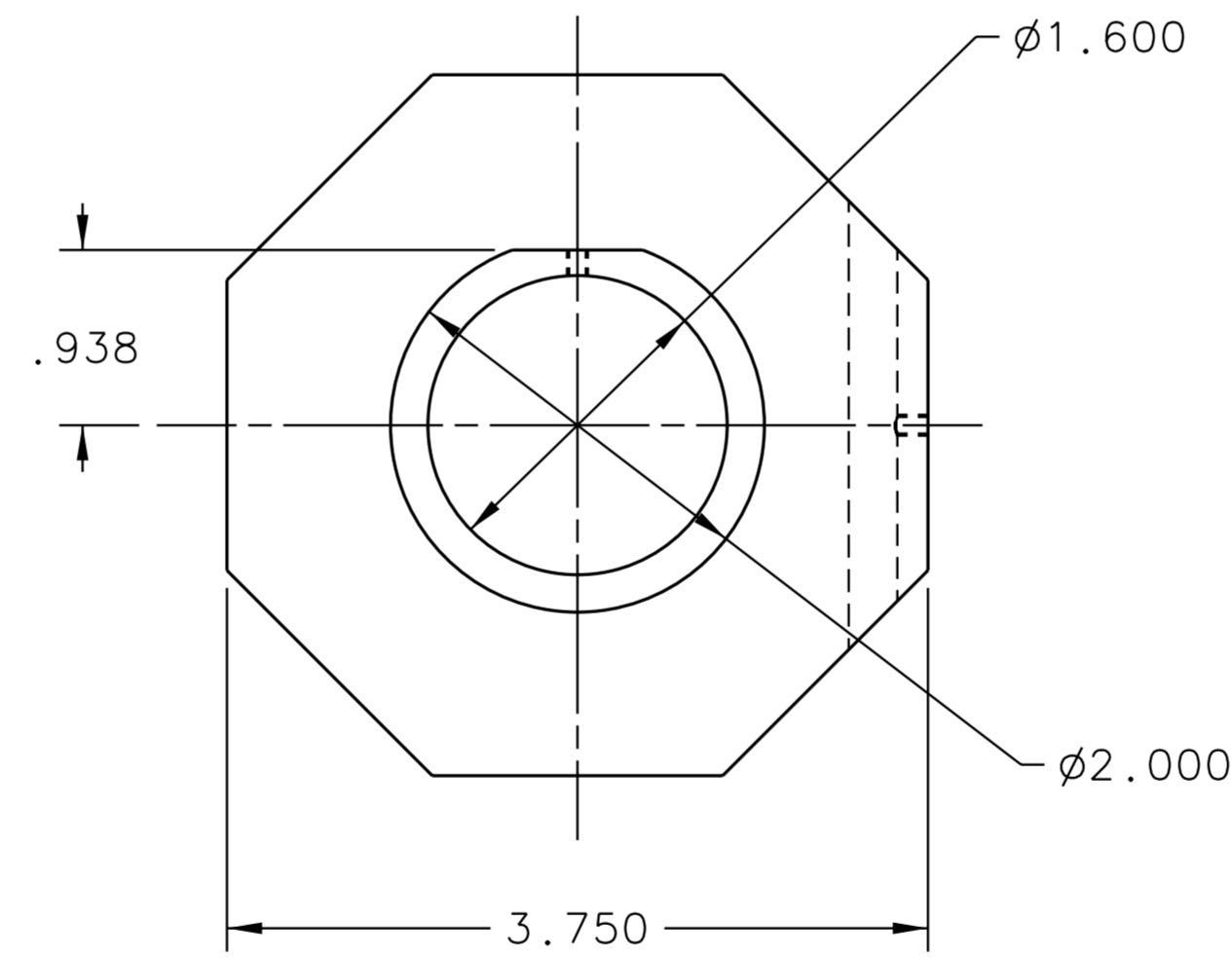


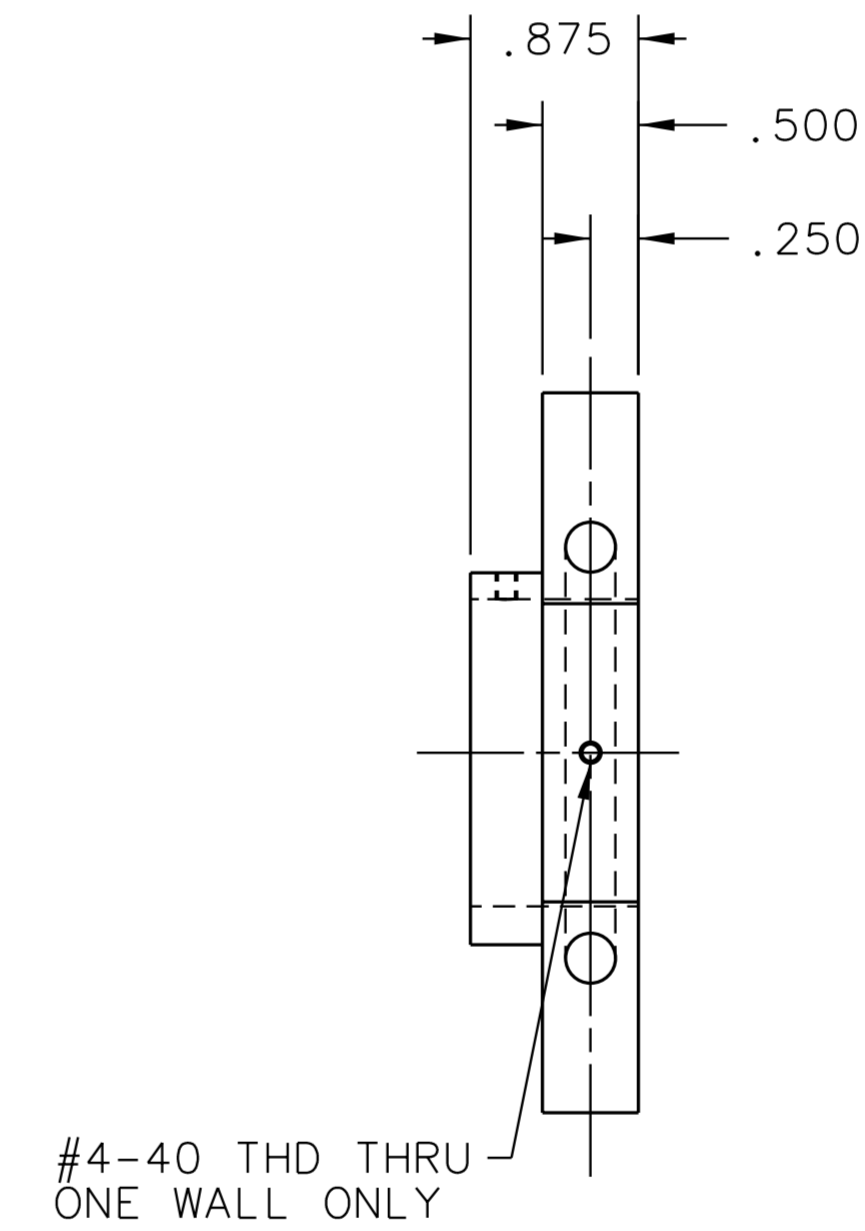
REVISION HISTORY				
ZONE	REV	DESCRIPTION	DATE	APPROVED



TOP VIEW 1-4D



FRONT VIEW 1-4B



RT SIDE VIEW 1-2B

DOCUMENT CONTROL STAMP	DIM & TOL PER ASME Y14.5 UNLESS OTHERWISE SPECIFIED DIMENSIONS ARE IN INCHES TOLERANCES ARE: FRACTIONS DECIMAL ANGLES ± N/A .X ± .1 ± .50° .XX ± .01 .XXX ± .005	TRACKING NO. N/A		 Thomas Jefferson National Accelerator Facility NEWPORT NEWS, VIRGINIA UNITED STATES DEPARTMENT OF ENERGY	
		APPROVALS	DATE		
MATERIAL ALUMINUM	THIRD ANGLE PROJECTION	DRAWN J. MILLER	20SEP06	HALL A - HE3HE4 TARGET - TARGET CELL UPPER OCTAGON 03	
FINISH MACHINED SURFACES UNLESS OTHERWISE NOTED DEBURR & BREAK ALL SHARP EDGES		CHECKED A. GAVALYA	25SEP06		
DO NOT SCALE DRAWING		APPROVED J. GOMEZ	26SEP06		SIZE DWG. NO. C A04018-03-01-1503
		APPROVED P. BRINDZA	25SEP06		SCALE 1:1 USED ON ASSY NO. A04018-03-01-1500 SHEET 1 OF 1