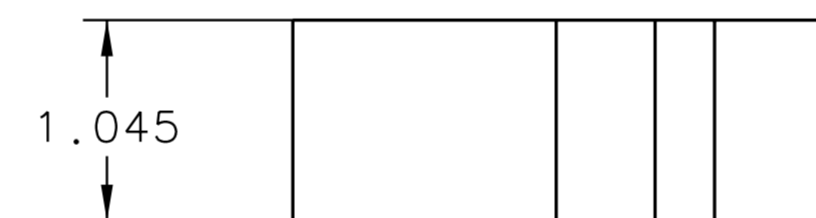
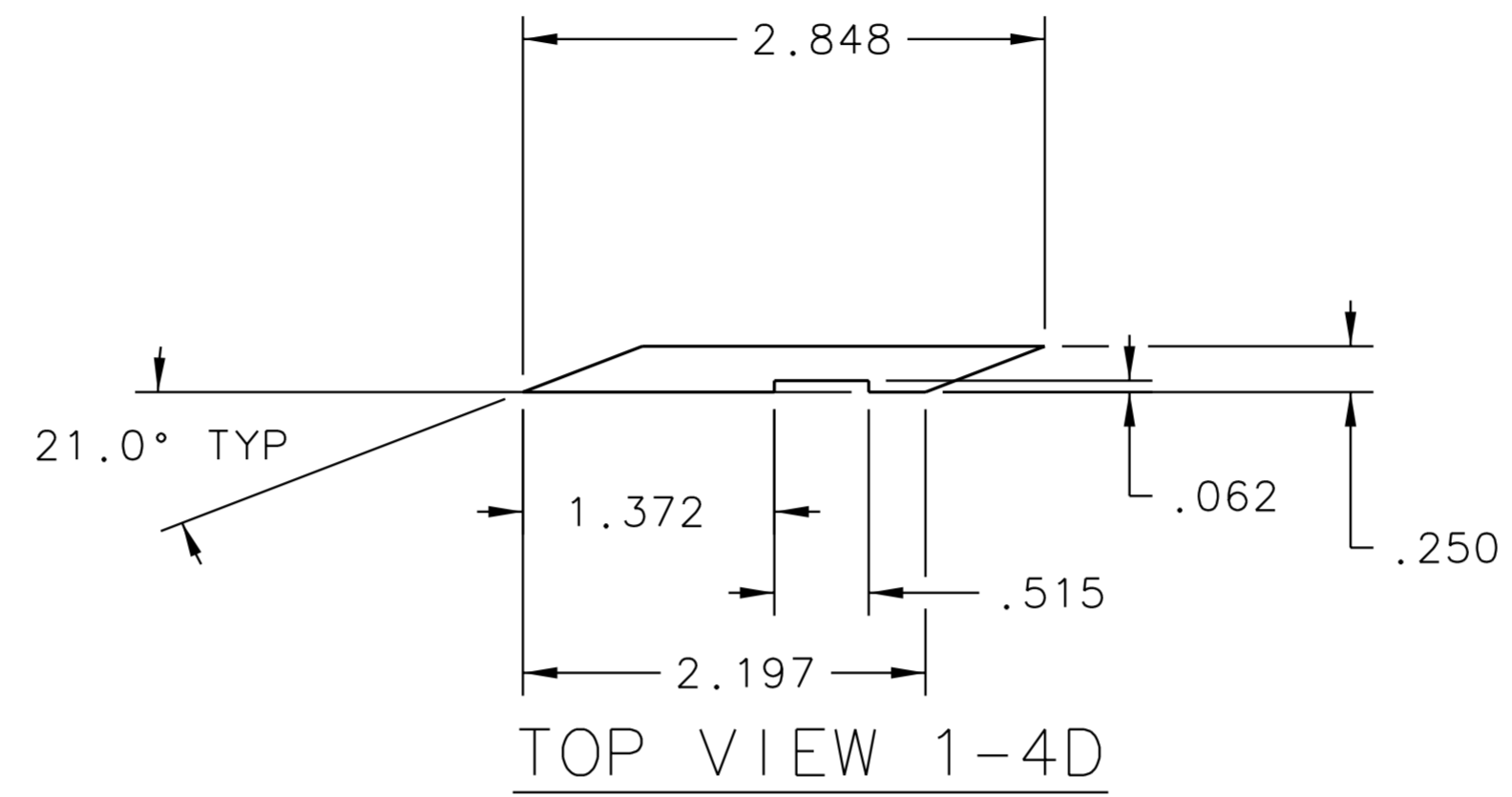


REVISION HISTORY				
ZONE	REV	DESCRIPTION	DATE	APPROVED



NOTES:
1. APPROX. WEIGHT .38 LBS.

DOCUMENT CONTROL STAMP	DIM & TOL PER ASME Y14.5 UNLESS OTHERWISE SPECIFIED DIMENSIONS ARE IN INCHES TOLERANCES ARE: FRACTIONS DECIMAL ANGLES ± N/A .X ± .1 ± .50° .XX ± .01 .XXX ± .005	TRACKING NO. N/A	Thomas Jefferson National Accelerator Facility NEWPORT NEWS, VIRGINIA UNITED STATES DEPARTMENT OF ENERGY	
MATERIAL HD17 DENSAMET NON-MAGNETIC	THIRD ANGLE PROJECTION	APPROVALS	DATE	HALL A - HE3HE4 TARGET - TARGET CELL HRSBL FORWARD COLL WLDMNT FOR UPPER HRSBL FORWARD COL 21 DEG UPPER
FINISH MACHINED SURFACES DEBURR & BREAK ALL SHARP EDGES		DRAWN J. MILLER	19SEP06	
UNLESS OTHERWISE NOTED		CHECKED A. GAVALYA	27SEP06	
DO NOT SCALE DRAWING		APPROVED P. BRINDZA	27SEP06	
		APPROVED J. COMEZ	27SEP06	SCALE 1:1 USED ON ASSY NO. A04018-03-01-2100 SHEET 1 OF 1