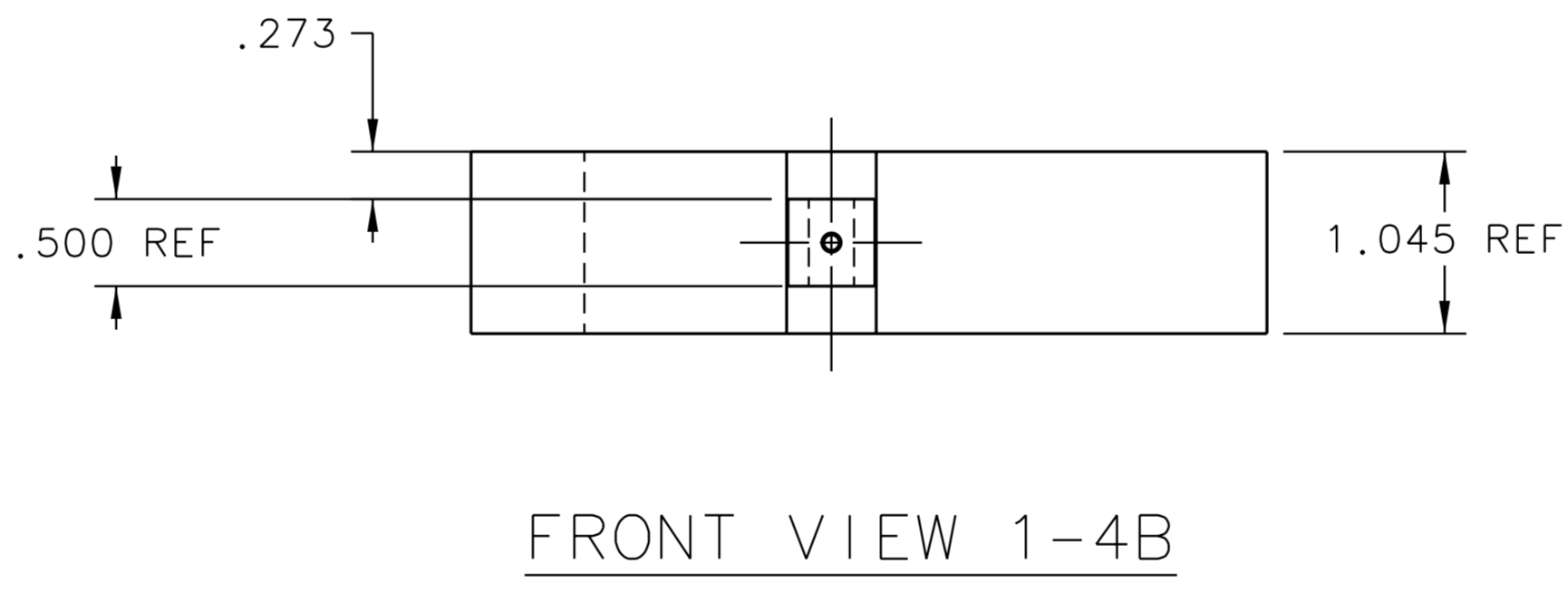
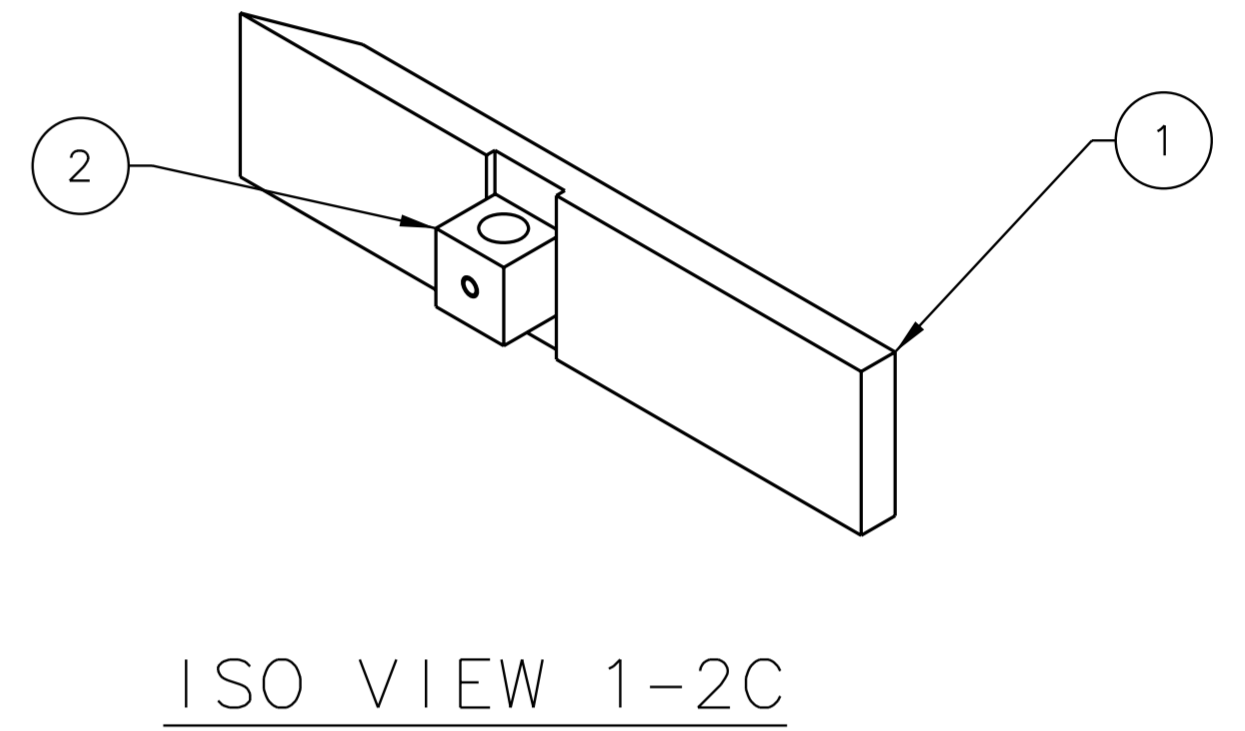
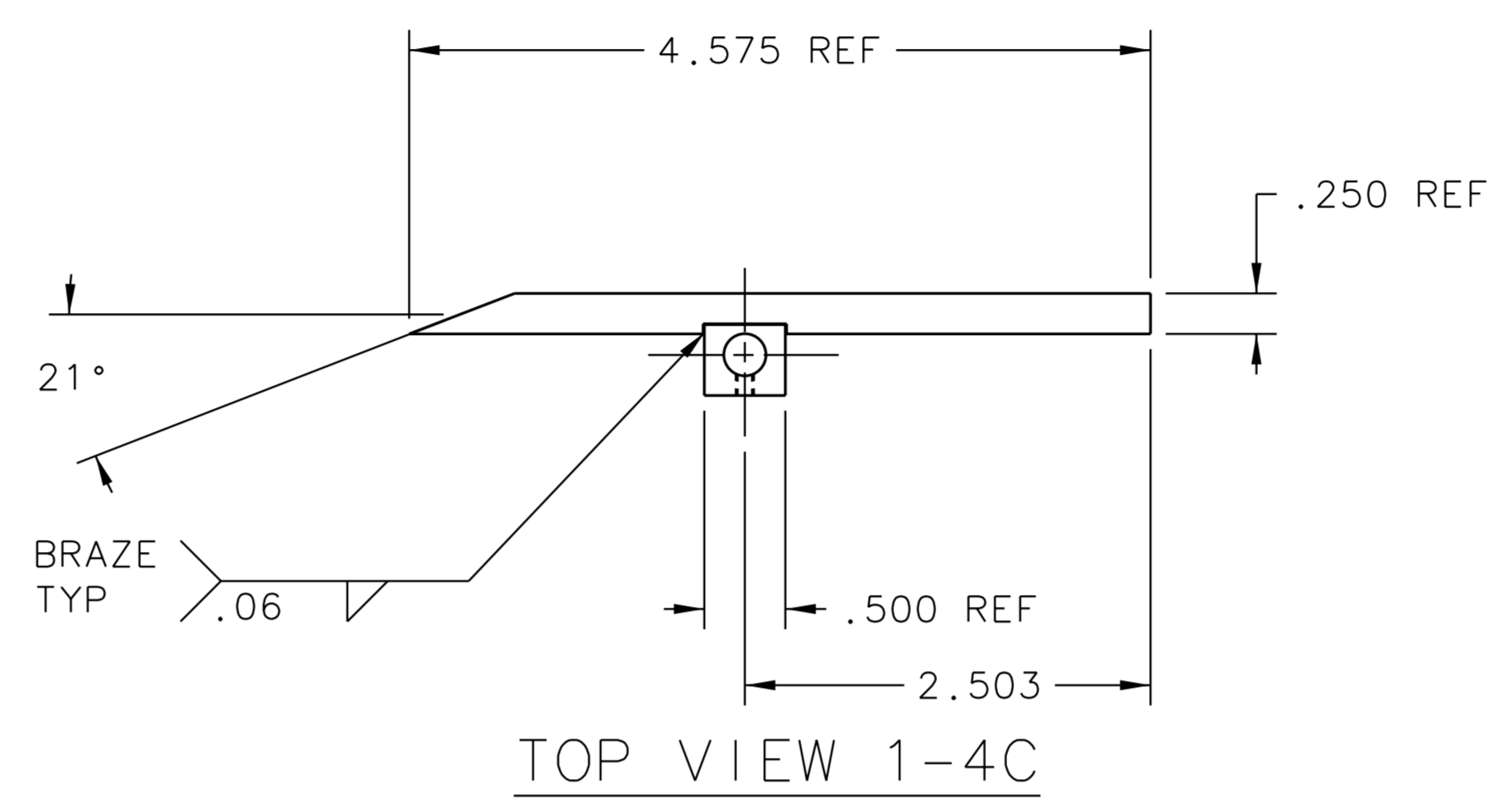


REVISION HISTORY				
ZONE	REV	DESCRIPTION	DATE	APPROVED



QTY REQD	ITEM NO.	PART OR IDENTIFYING NO.	NOMENCLATURE OR DESCRIPTION	MATERIAL SPECIFICATION	NOTES
1	2	A04018-03-01-1902	ADJUSTOR BLOCK	STAINLESS STEEL	-
1	1	A04018-03-01-2201	HRSBL BACKWARD COLLIMATOR 21 DEG UPPER	HD17 DENSAMET	-

DOCUMENT CONTROL STAMP

SEE PARTS LIST

FINISH MACHINED SURFACES UNLESS OTHERWISE NOTED DEBURR & BREAK ALL SHARP EDGES

DO NOT SCALE DRAWING

DIM & TOL PER ASME Y14.5 UNLESS OTHERWISE SPECIFIED DIMENSIONS ARE IN INCHES

TOLERANCES ARE:

FRACTIONS	DECIMAL	ANGLES
± N/A	.X ± .1	± .50°
	.XX ± .01	
	.XXX ± .005	

THIRD ANGLE PROJECTION

TRACKING NO. N/A

APPROVALS

DATE	20SEP06
DATE	27SEP06
DATE	27SEP06
DATE	27SEP06

Thomas Jefferson National Accelerator Facility
NEWPORT NEWS, VIRGINIA
UNITED STATES DEPARTMENT OF ENERGY

HALL A - HE3HE4
TARGET - TARGET CELL
UPPER

HRSBL BCKWARD COLL WLDMNT FOR UPPER

SIZE DWG. NO. C A04018-03-01-2200

SCALE 1:1 USED ON ASSY NO. A04018-03-01-1500 SHEET 1 OF 1