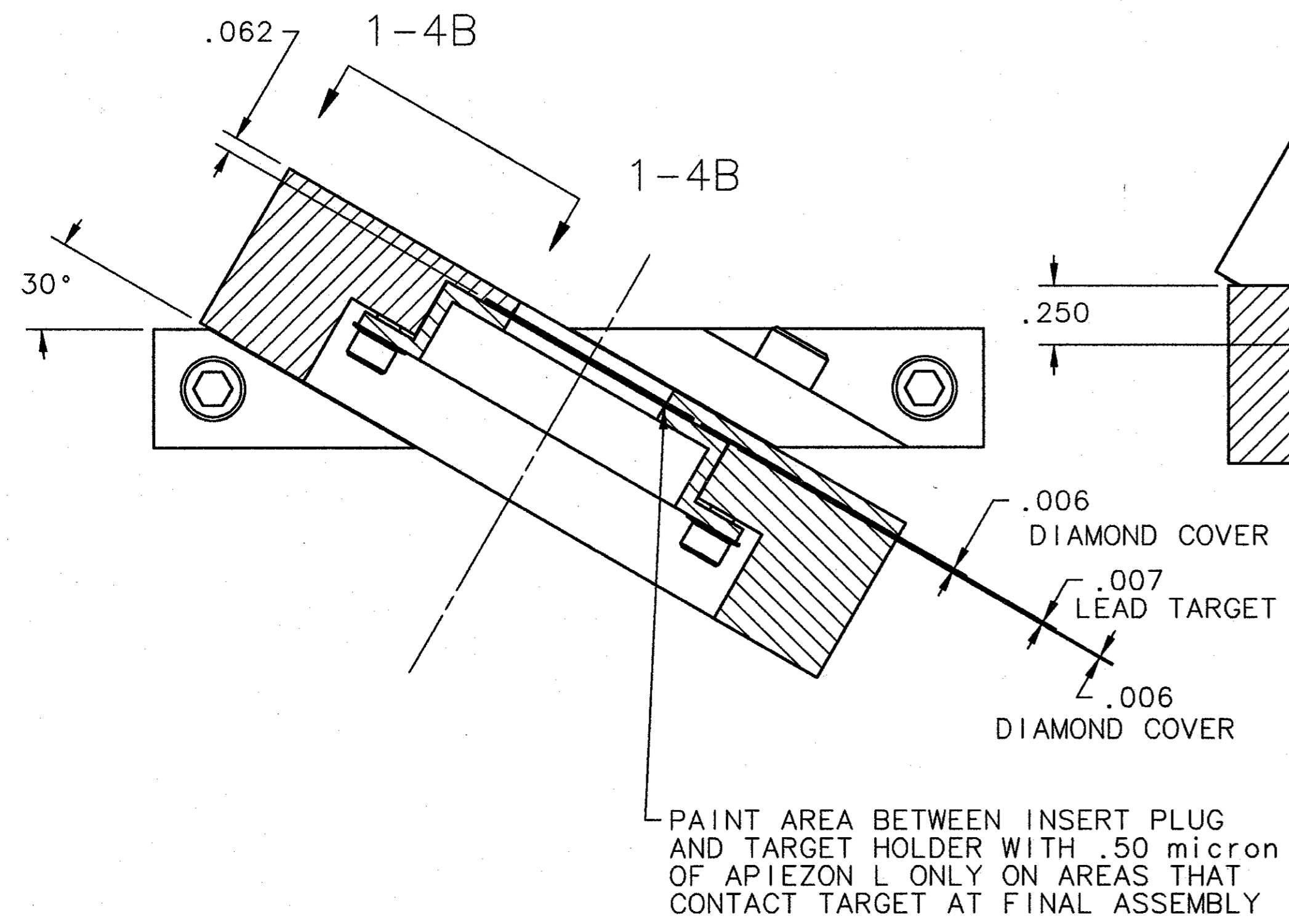
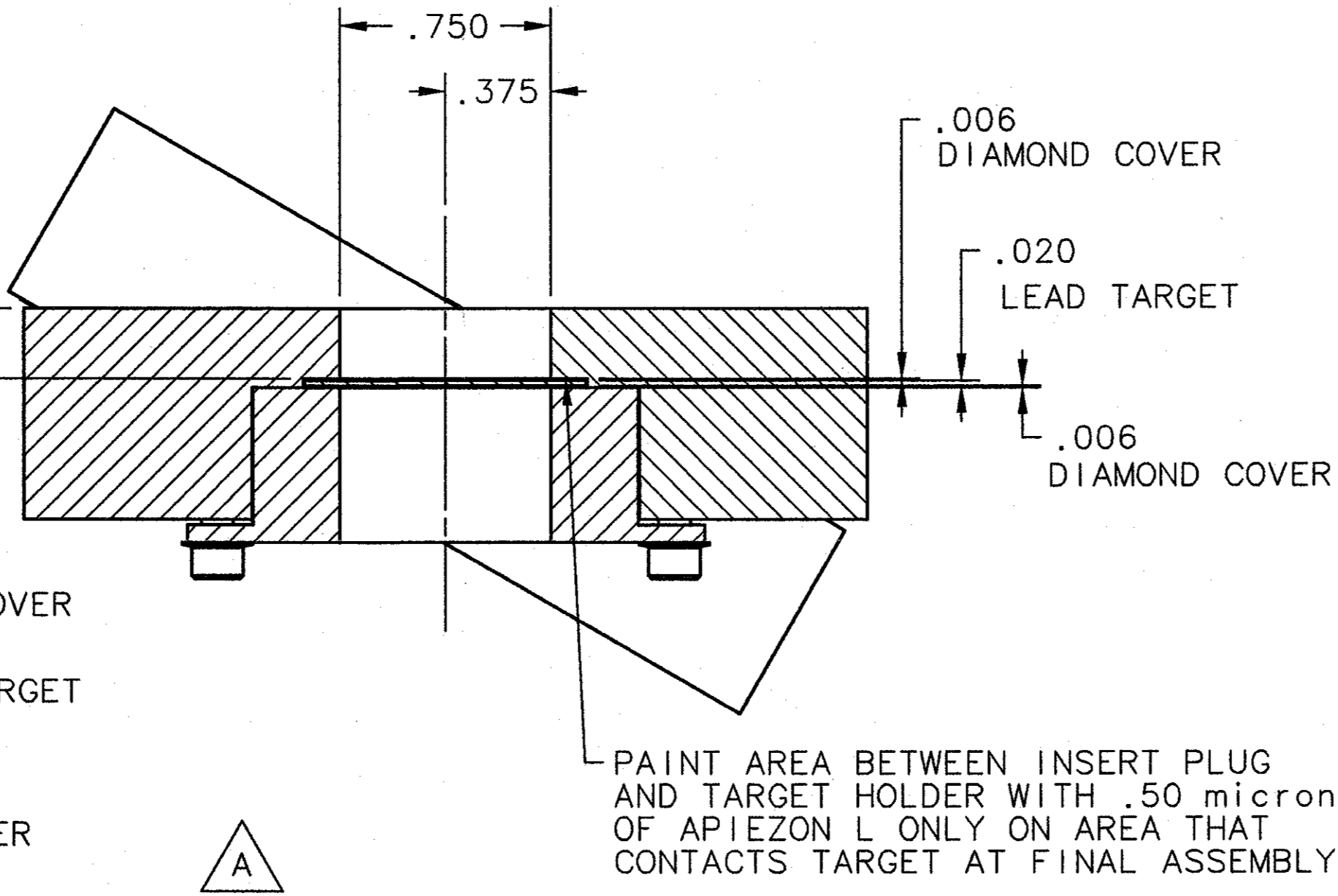


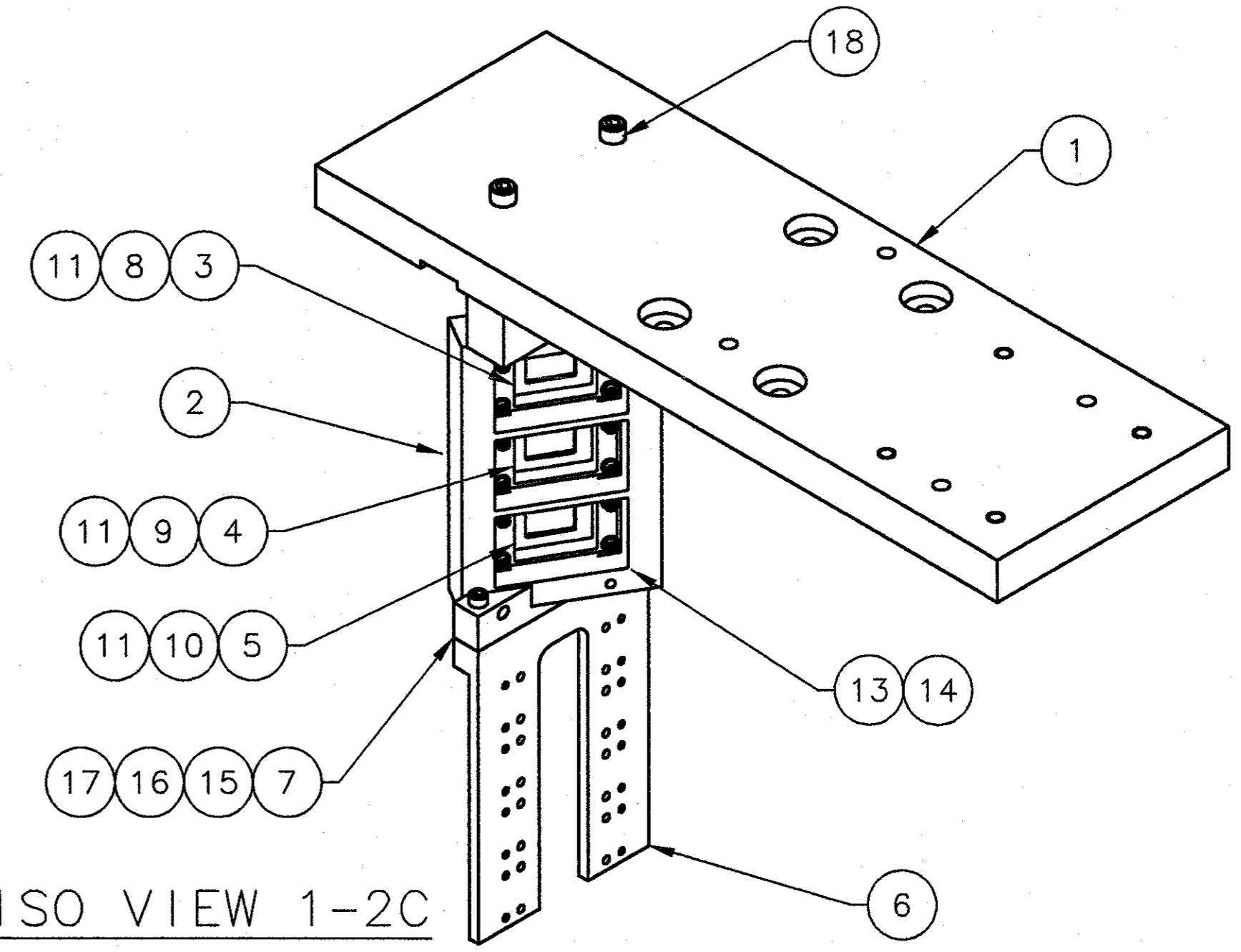
REVISION HISTORY				
ZONE	REV	DESCRIPTION	DATE	APPROVED
ALL	A	ADDED ITEM 12 AND REVISED SECT VIEW 1-5D; ADDED PART AUX VIEW 1-4B	29NOV07 30NOV07	MILLER ars



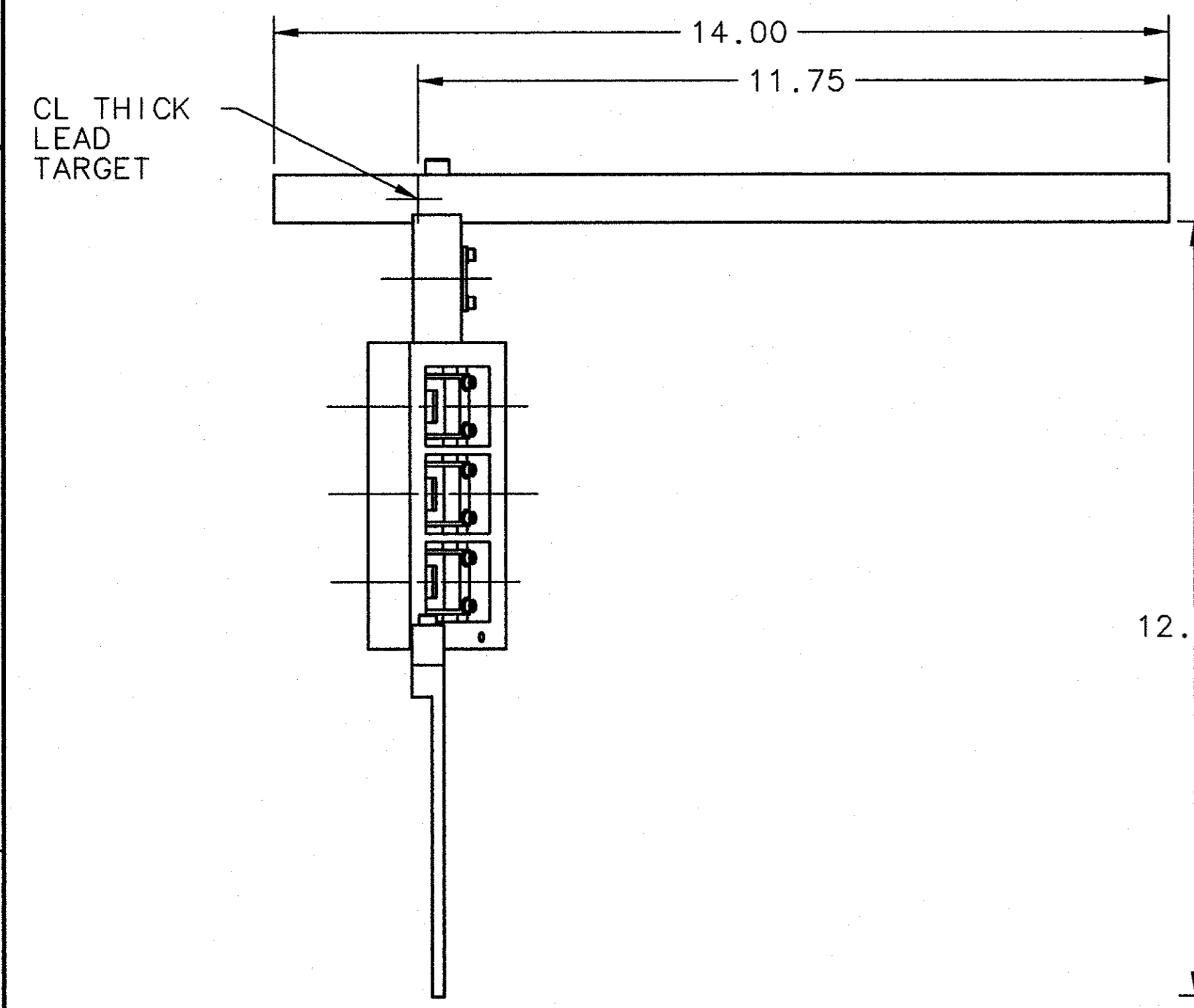
SECT VIEW 1-7D
SCALE 2:1



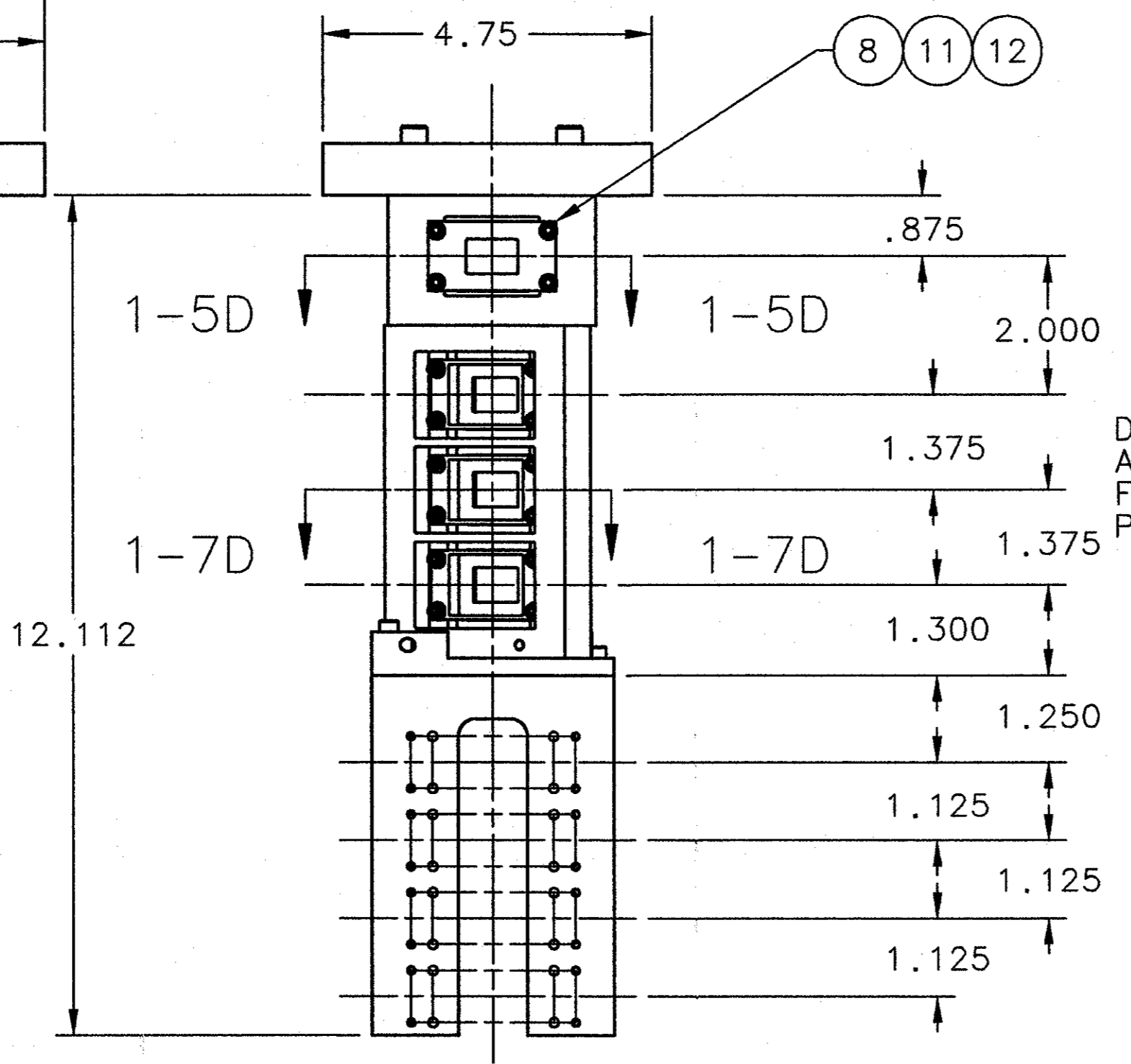
SECT VIEW 1-5D
SCALE 2:1



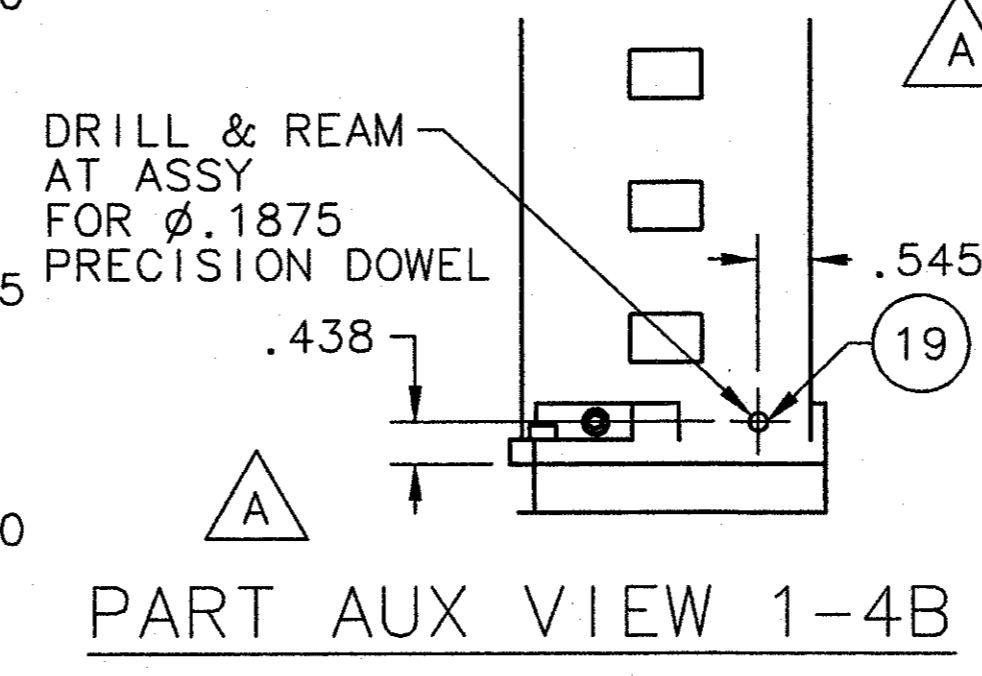
ISO VIEW 1-2C



LEFT SIDE VIEW 1-7A



FRONT VIEW 1-5A



PART AUX VIEW 1-4B

QTY REQD	ITEM NO.	PART OR IDENTIFYING NO.	NOMENCLATURE OR DESCRIPTION	MATERIAL SPECIFICATION	NOTES
1	19	-	DOWEL PIN .1875 DIA X .375 LG	STAINLESS STEEL	-
2	18	-	SHCS 1/4-20 X .88 LG	STAINLESS STEEL	-
1	17	-	SHCS #8-32 X 1.00 LG	STAINLESS STEEL	-
1	16	-	SHCS #8-32 X .75 LG	STAINLESS STEEL	-
1	15	-	SHCS #8-32 X .50 LG	STAINLESS STEEL	-
16	14	-	SHCS #4-40 X .25 LG	STAINLESS STEEL	-
16	13	McMASTER CARR 9713K53	BELLEVILLE WASHER #4	STAINLESS STEEL	-
1	12	A06002-03-02-0112	INSERT PLUG STRAIGHT	COPPER	-
8	11	A06002-03-02-0111	DIAMOND COVER .15mm	DIAMOND	-
1	10	A06002-03-02-0110	BISMUTH TARGET .2mm	BISMUTH	-
1	9	A06002-03-02-0109	LEAD TARGET .17mm	LEAD	-
2	8	A06002-03-02-0108	LEAD TARGET .5mm	LEAD	-
1	7	A06002-03-02-0107	BRACKET	COPPER	-
1	6	A06002-03-02-0106	SOLID TARGET HOLDER 04	ALUMINUM	-
1	5	A06002-03-02-0105	INSERT PLUG BISMUTH	COPPER	-
1	4	A06002-03-02-0104	INSERT PLUG THIN LEAD	COPPER	-
1	3	A06002-03-02-0103	INSERT PLUG THICK LEAD	COPPER	-
1	2	A06002-03-02-0102	TARGET HOLDER	COPPER	-
1	1	A06002-03-02-0101	ATTACHMENT PL	COPPER	-

DOCUMENT CONTROL STAMP 	DIM & TOL PER ASME Y14.5 - UNLESS OTHERWISE SPECIFIED DIMENSIONS ARE IN INCHES TOLERANCES ARE: FRACTIONS ± N/A DECIMAL .XX ± .01 XXX ± .005 ANGLES ± .50°	TRACKING NO. N/A	United States Department of Energy Jefferson Lab Thomas Jefferson National Accelerator Facility Newport News Virginia
		APPROVALS DRAWN J. MILLER 05NOV07 CHECKED A. GAVALYA 27NOV07 APPROVED A. GAVALYA 27NOV07 APPROVED ROBERT MICHAELS 27NOV07	
MATERIAL SEE PARTS LIST	THIRD ANGLE PROJECTION 	HALL A - PREX TARGET - CRYOTARGET LOOP CRYOTARGET LOOP SUBASSY E06002 LEAD TARGET LADDER	
FINISH MACHINED SURFACES 125 UNLESS OTHERWISE NOTED DEBURR & BREAK ALL SHARP EDGES DO NOT SCALE DRAWING		SIZE DWG. NO. D A06002-03-02-0100	REV. A
		SCALE 1:2	USED ON ASSY NO. A06002-03-02-0000 SHEET 1 OF 1

NOTES:
1. APPROX. WEIGHT 20 LBS.