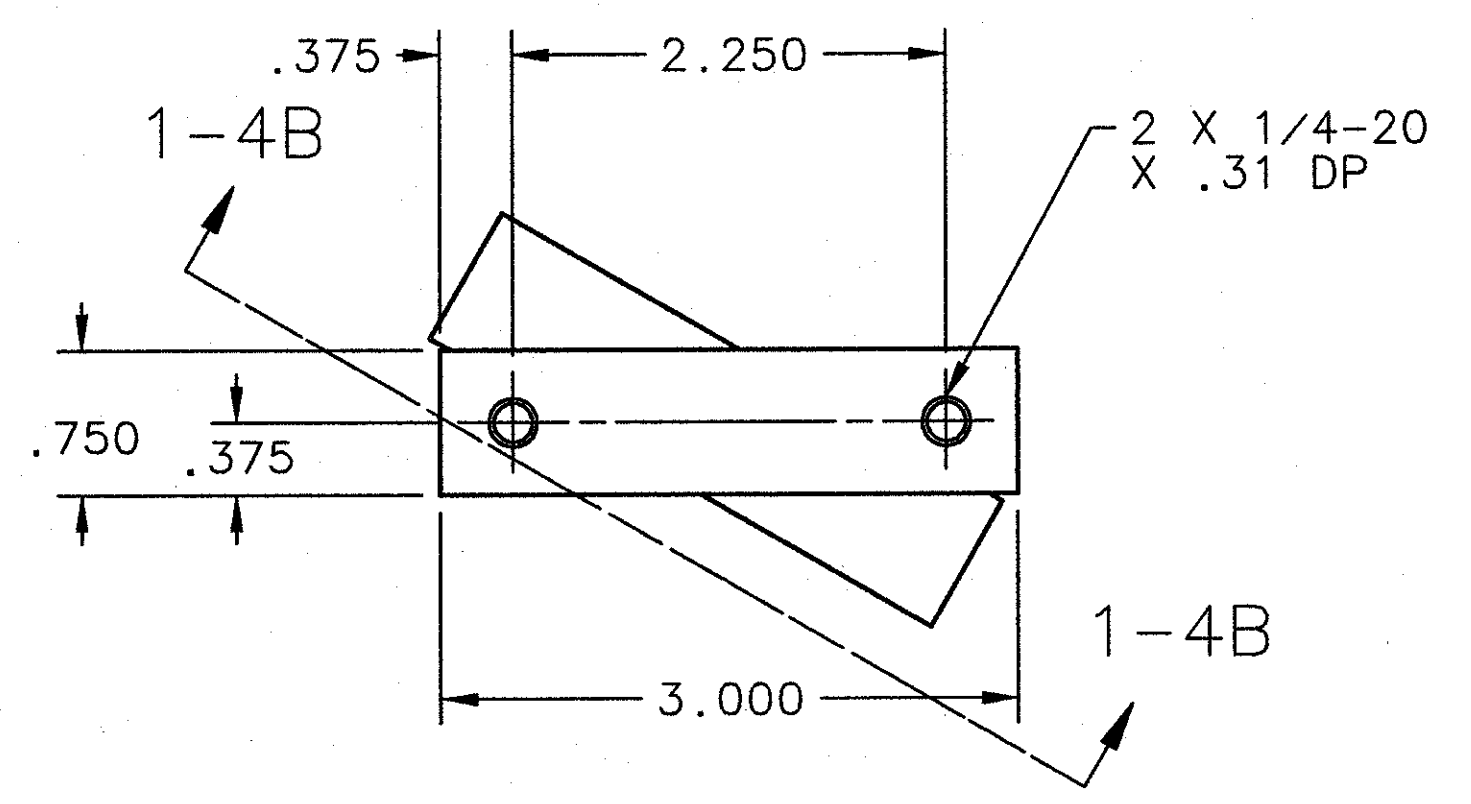
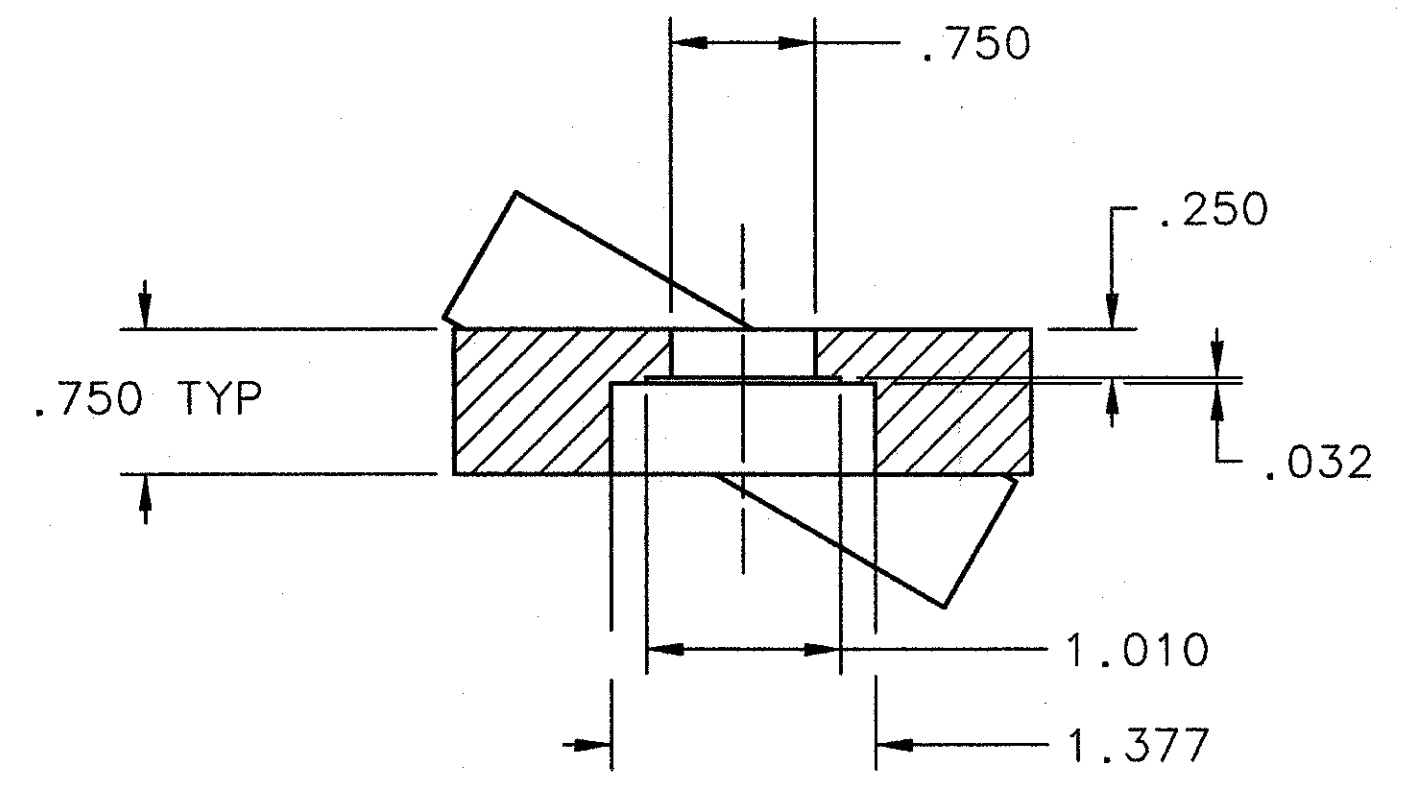


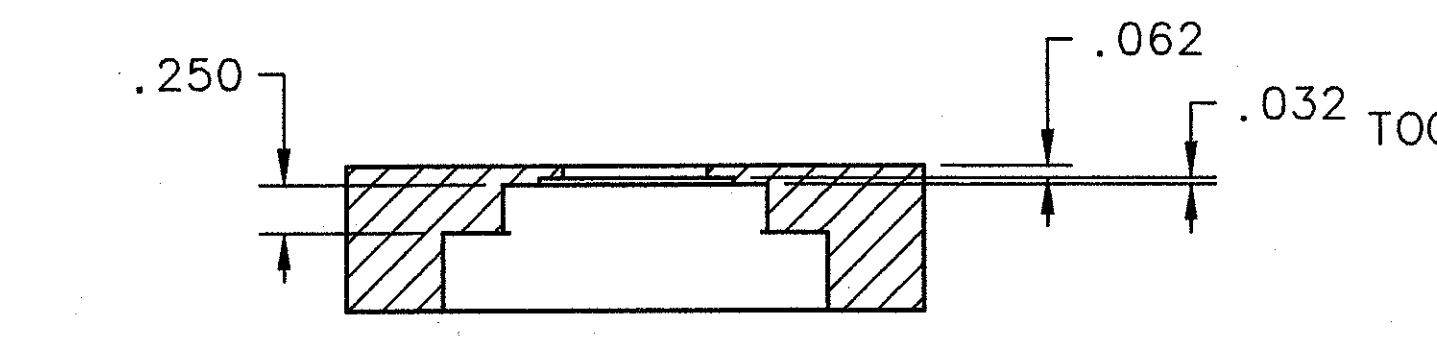
REVISION HISTORY				
ZONE	REV	DESCRIPTION	DATE	APPROVED
1-4C	A	ADDED SECT VIEW 1-4C	29NOV07	MILLER
1-5D		REVISED SECT VIEW 1-5D	30NOV07	arg



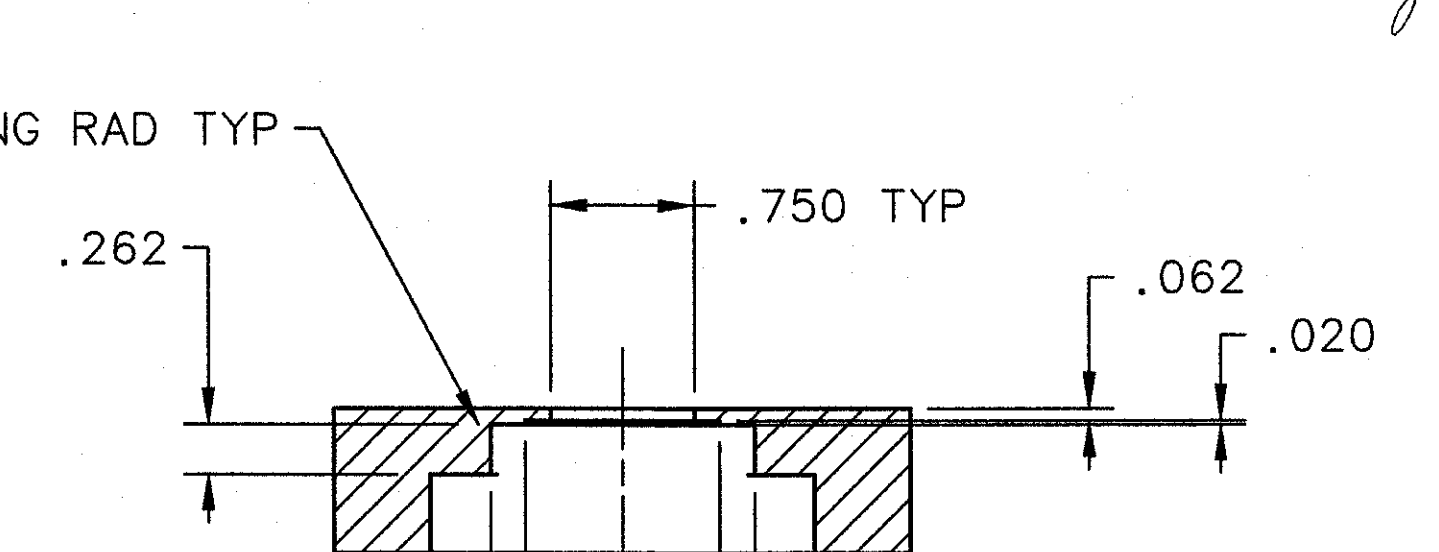
TOP VIEW 1-7D



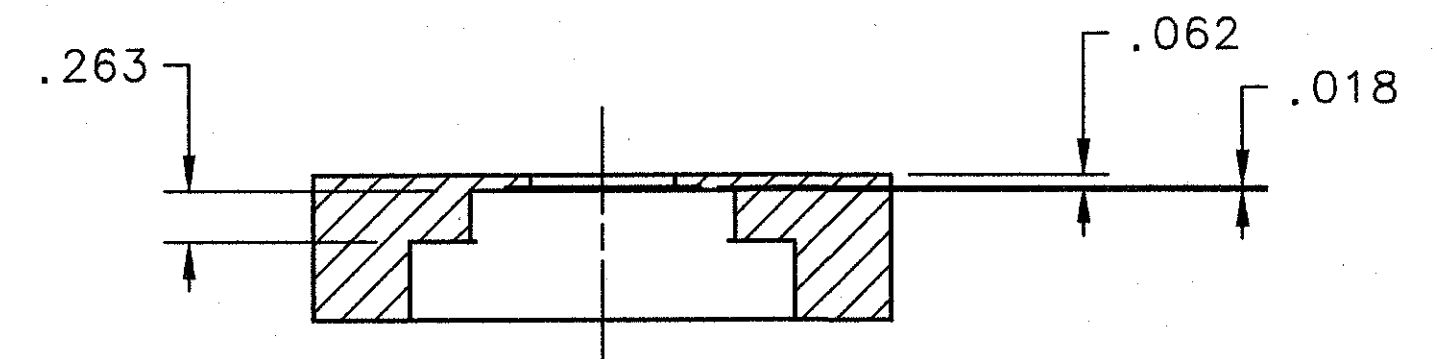
SECT VIEW 1-5D



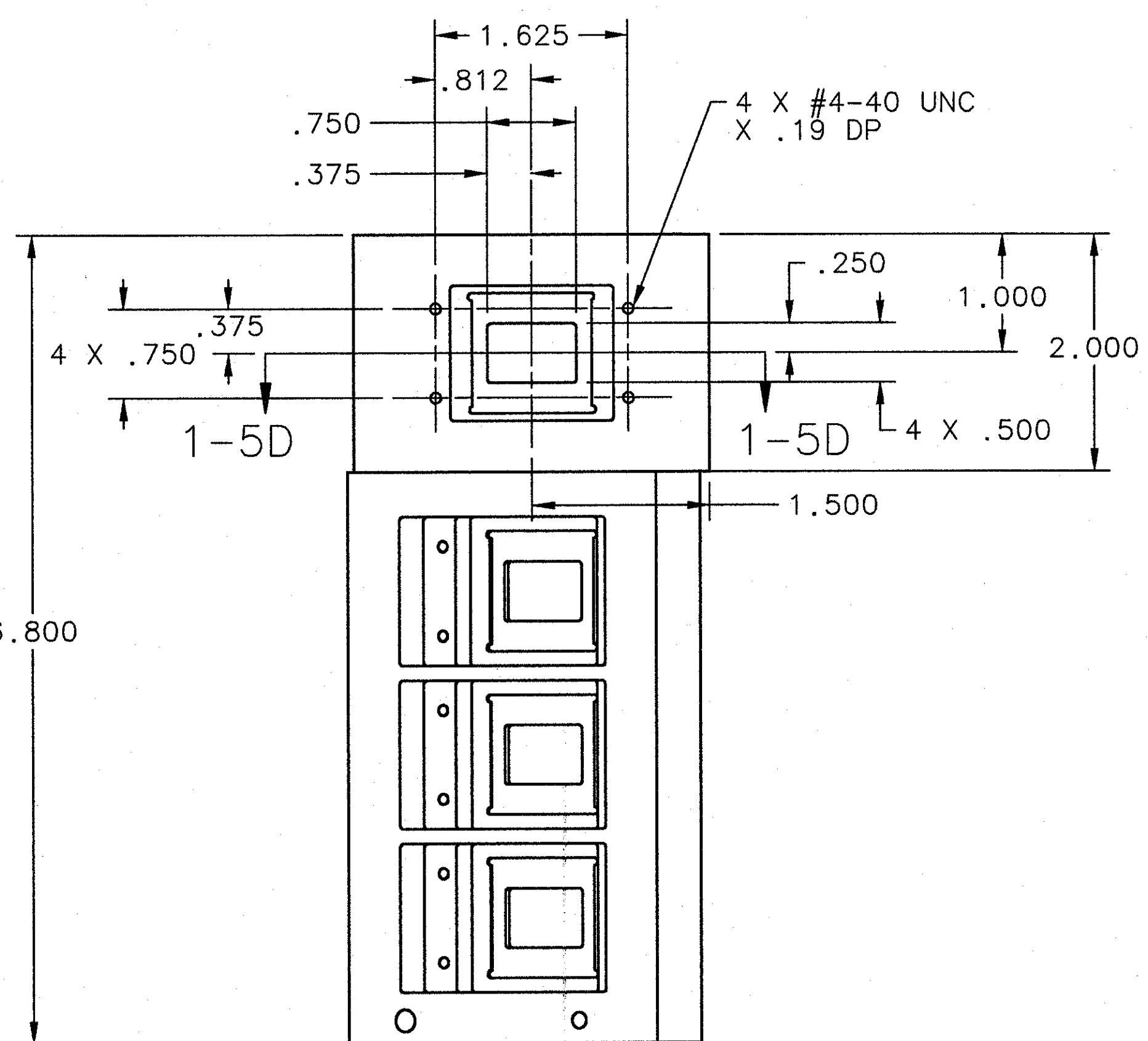
SECT VIEW 1-4D



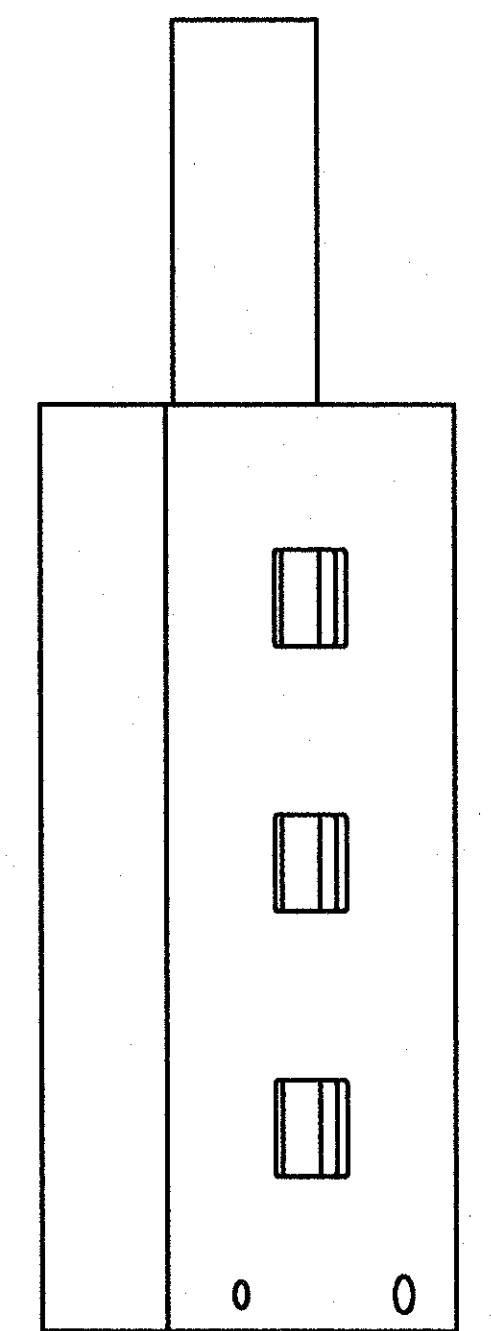
SECT VIEW 1-2D



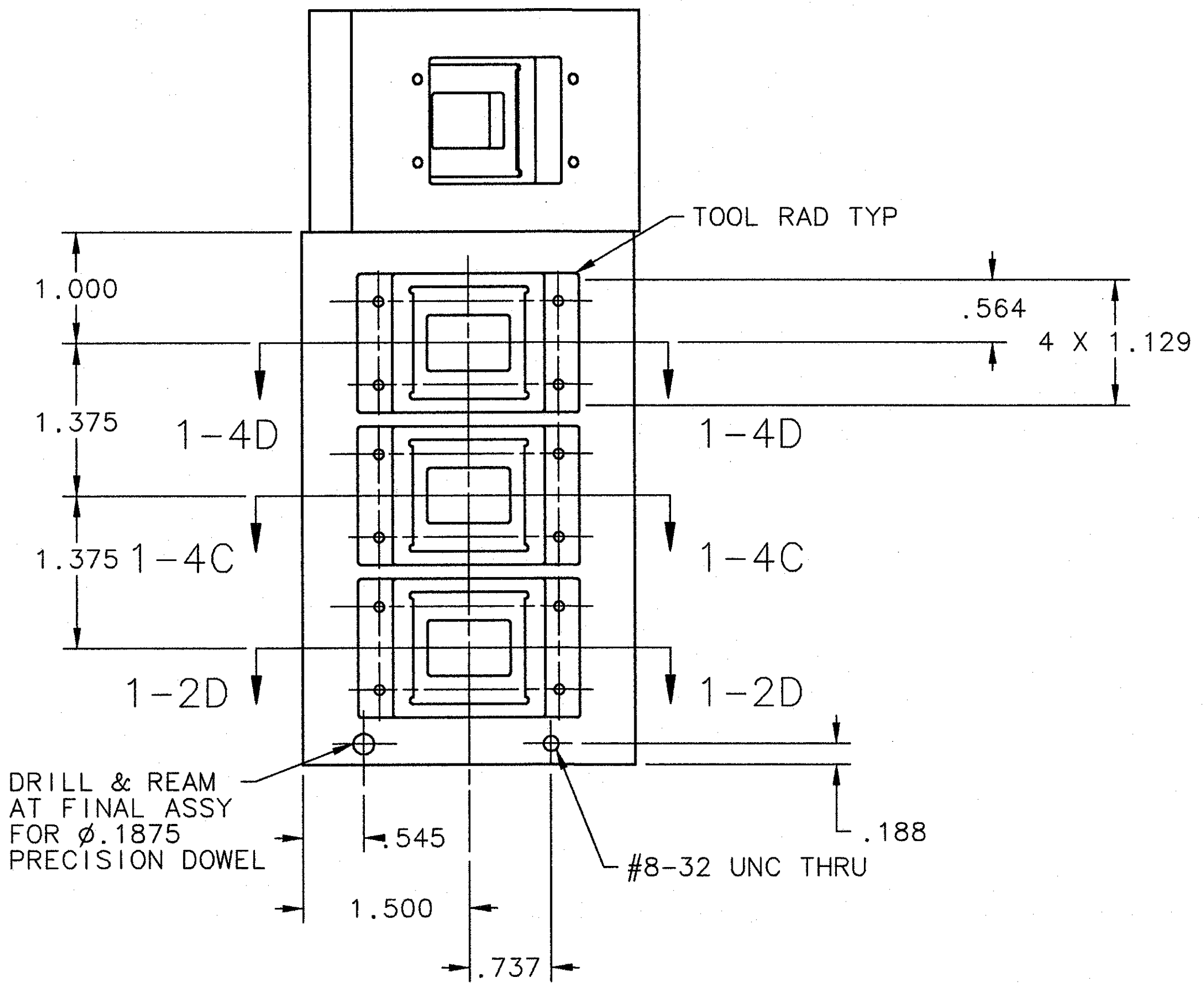
SECT VIEW 1-4C



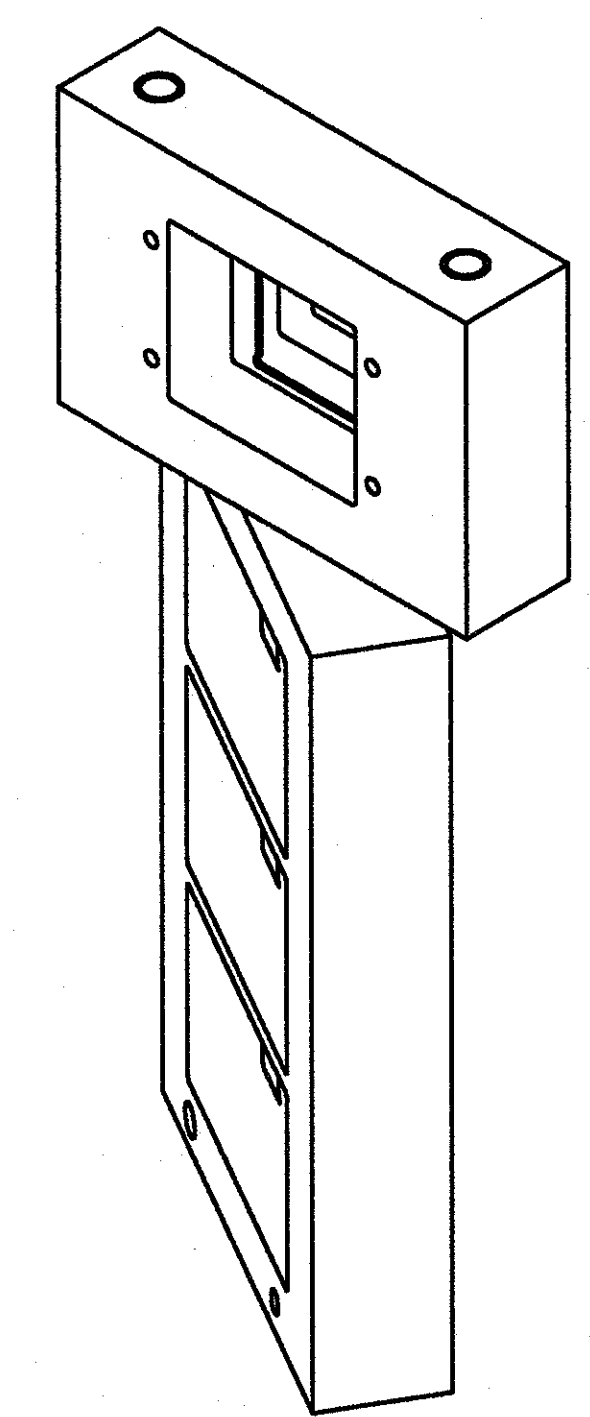
FRONT VIEW 1-7B



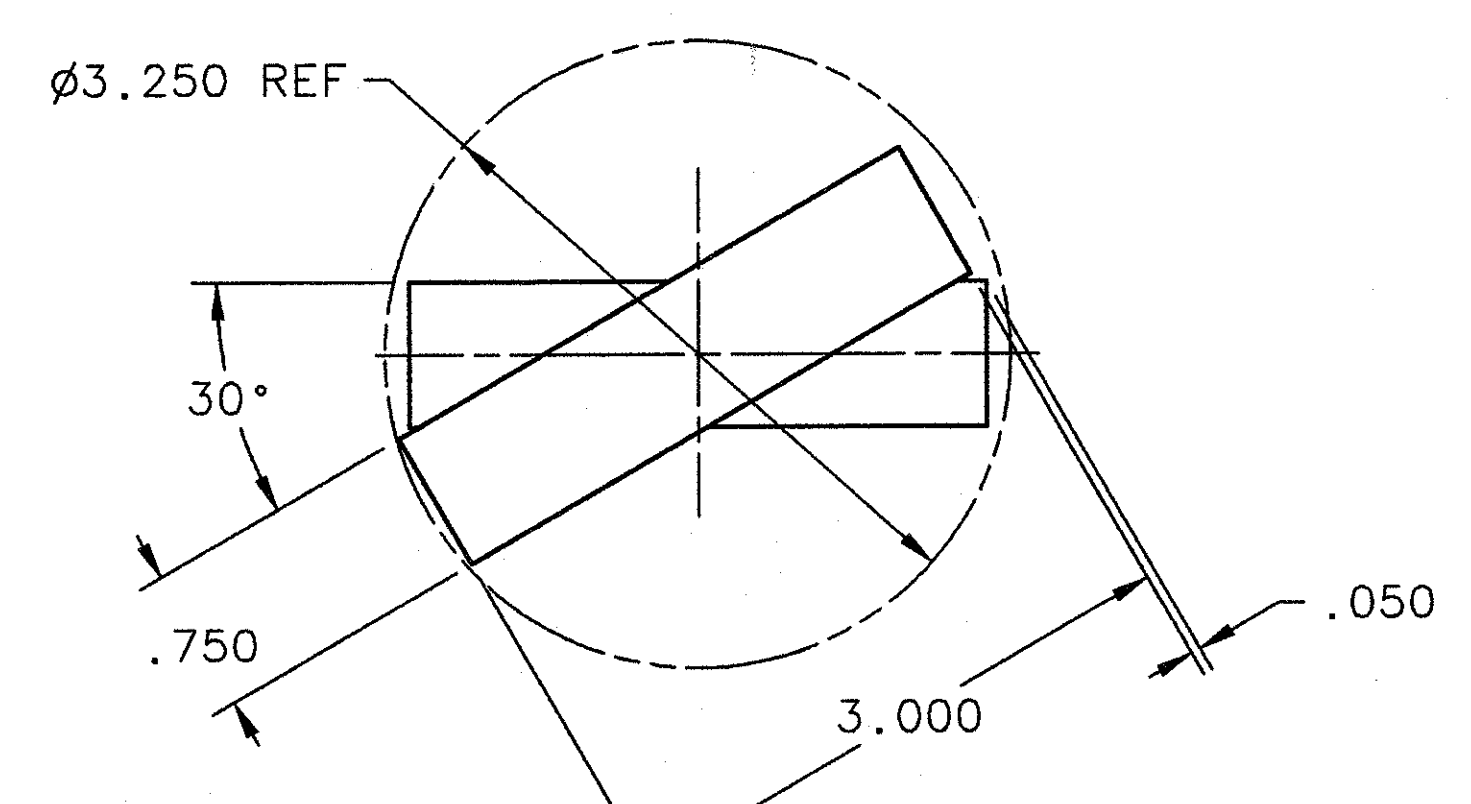
RT SIDE VIEW 1-5B



AUX VIEW 1-4B



ISO VIEW 1-1B



BOTTOM VIEW 1-7A

NOTES:  
1. APPROX. WEIGHT 4 LBS.

DOCUMENT CONTROL STAMP 	DIM & TOL PER ASME Y14.5 - UNLESS OTHERWISE SPECIFIED DIMENSIONS ARE IN INCHES TOLERANCES ARE: FRACTIONS DECIMAL ANGLES ± N/A .XX ± .01 ± .50° .XXX ± .005	TRACKING NO. N/A		United States Department of Energy <b>Jefferson Lab</b> Thomas Jefferson National Accelerator Facility Newport News Virginia	
		APPROVALS	DATE		
MATERIAL C101 OR 102 OFHC COPPER	THIRD ANGLE PROJECTION 	DRAWN J. MILLER	31OCT07	HALL A - PREX TARGET - CRYOTARGET LOOP LEAD TARGET LADDER TARGET HOLDER	
FINISH MACHINED SURFACES 125 UNLESS OTHERWISE NOTED DEBURR & BREAK ALL SHARP EDGES DO NOT SCALE DRAWING		CHECKED A. GAVALYA	27NOV07		
		APPROVED A. GAVALYA	27NOV07		SIZE DWG. NO. D A06002-03-02-0102
		APPROVED ROBERT MICHAELS	27NOV07		REV. A SCALE 1:1 USED ON ASSY NO. A06002-03-02-0100 SHEET 1 OF 1