

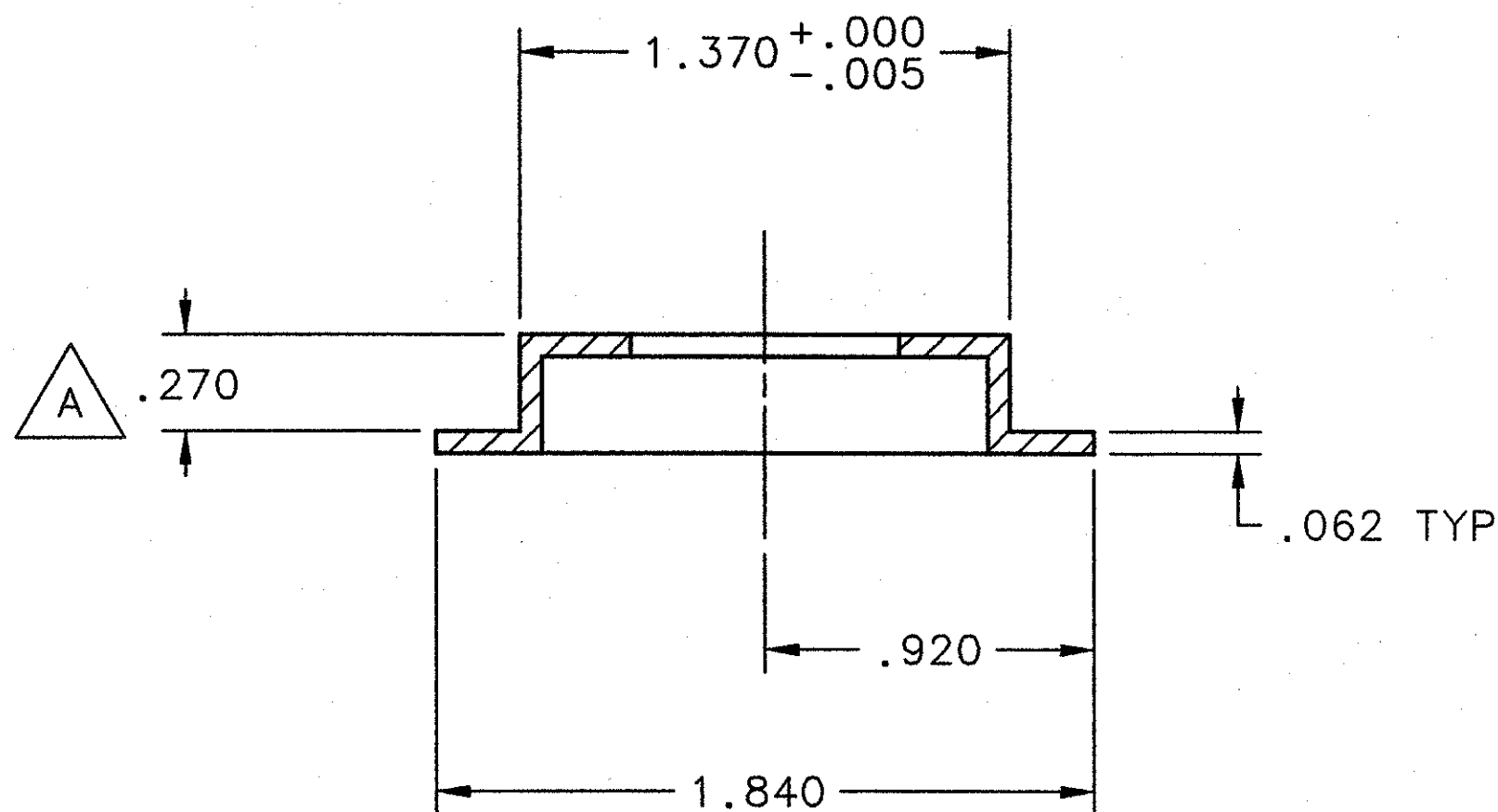
4

3

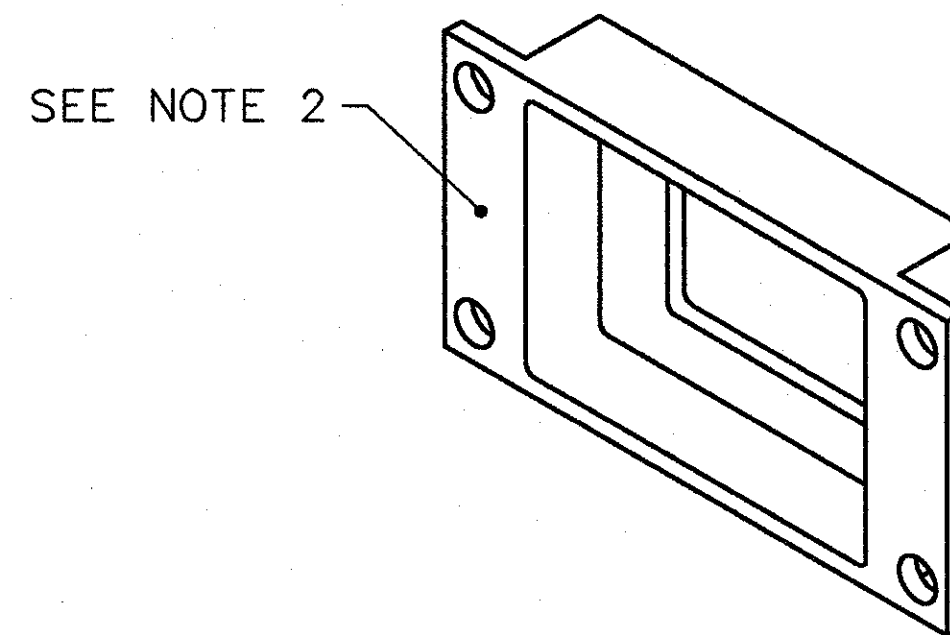
2

1

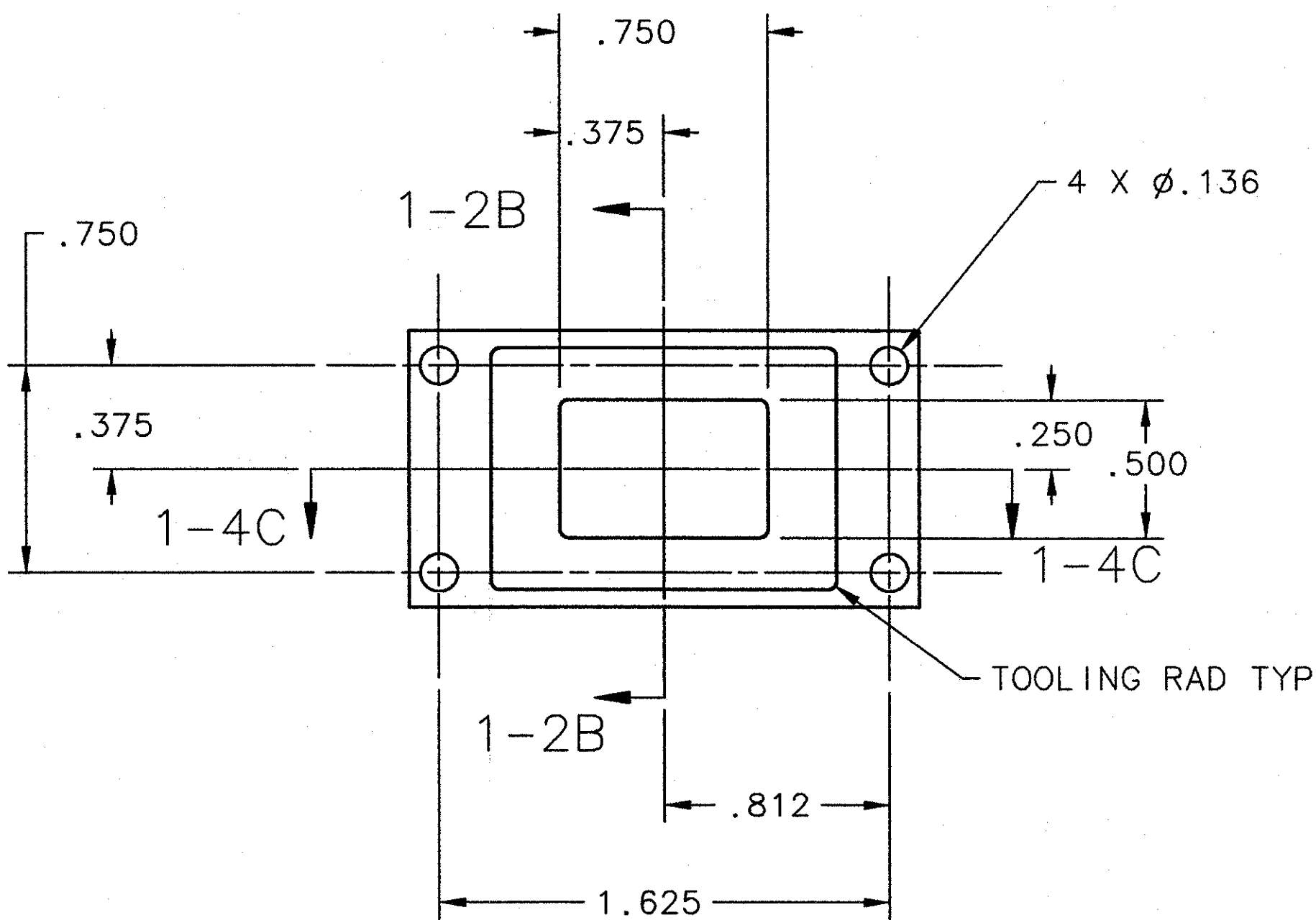
REVISION HISTORY				
ZONE	REV	DESCRIPTION	DATE	APPROVED
1-4C	A	REVISED DIMENSION: .270 WAS .250	29NOV07	MILLER
			30NOV07	ARY



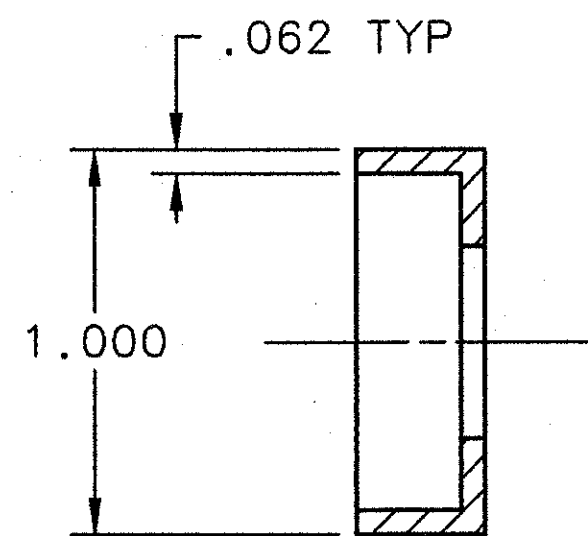
SECT VIEW 1-4C



ISO VIEW 1-1C



FRONT VIEW 1-4A



SECT VIEW 1-2B

- NOTES:
- APPROX. WEIGHT .05 LBS.
  - STAMP OR PAINT 'THICK LEAD PLUG' ON THIS FACE.

DOCUMENT CONTROL STAMP 		DIM & TOL PER ASME Y14.5 UNLESS OTHERWISE SPECIFIED DIMENSIONS ARE IN INCHES TOLERANCES ARE: FRACTIONS DECIMAL ANGLES ± N/A .X ±.1 ±.50° .XX ±.01 .XXX ±.005		TRACKING NO. N/A		United States Department of Energy 	
MATERIAL C101 OR 102 COPPER		THIRD ANGLE PROJECTION 		APPROVALS	DATE	HALL A - PREX TARGET - CRYOTARGET LOOP LEAD TARGET LADDER INSERT PLUG THICK LEAD	
FINISH MACHINED SURFACES UNLESS OTHERWISE NOTED DEBURR & BREAK ALL SHARP EDGES				J. MILLER	31OCT07	REV. A	
DO NOT SCALE DRAWING				A. GAVALYA	27NOV07	SIZE DWG. NO. A06002-03-02-0103	
				APPROVED A. GAVALYA	27NOV07	SCALE 2:1 USED ON ASSY NO. A06002-03-02-0100 SHEET 1 OF 1	
				APPROVED ROBERT MICHAELS	27NOV07		

4

3

2

1