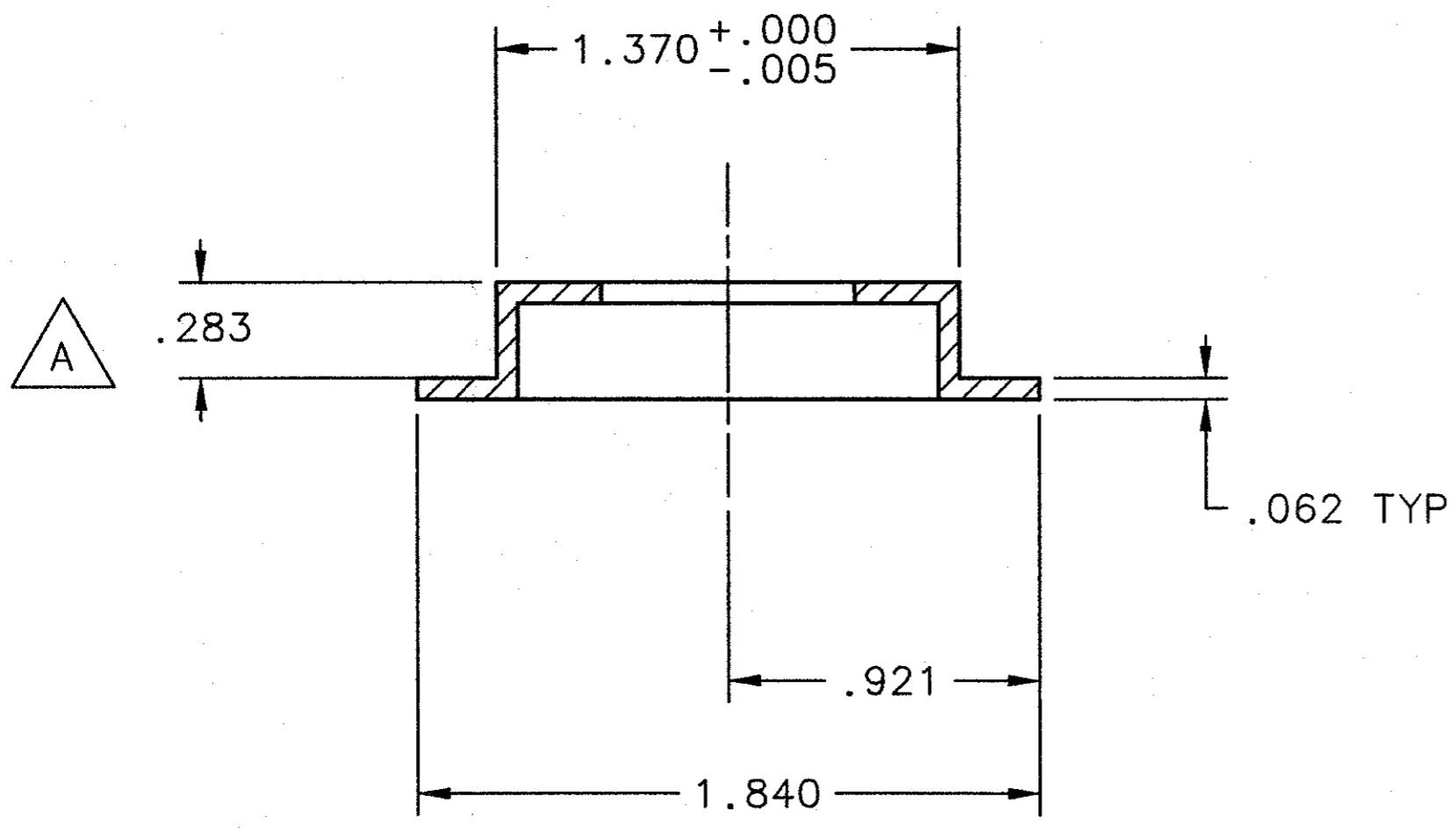
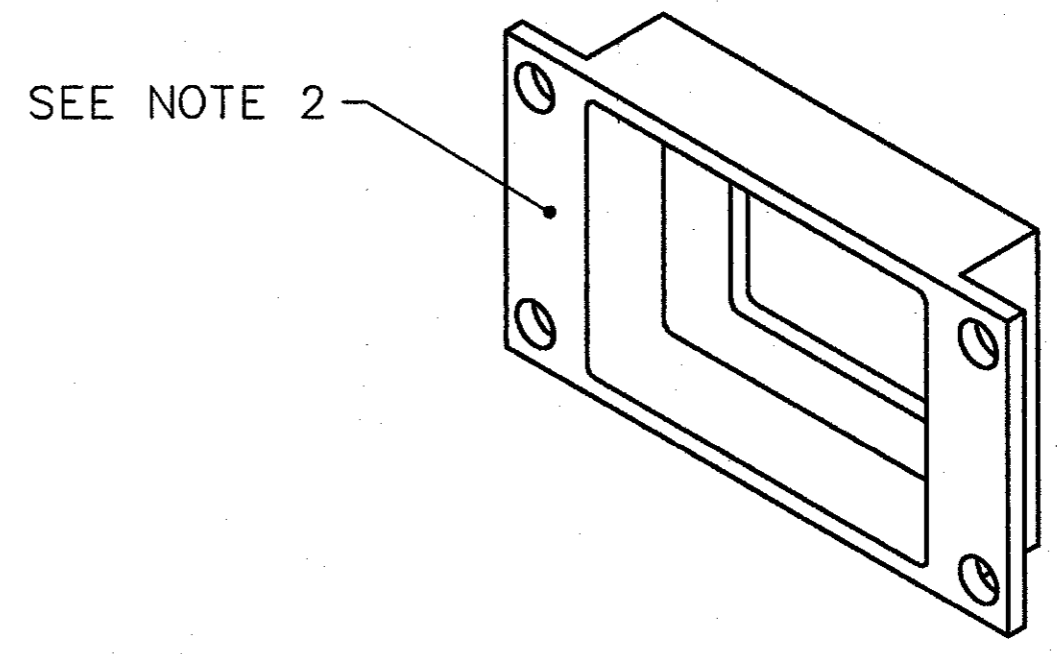


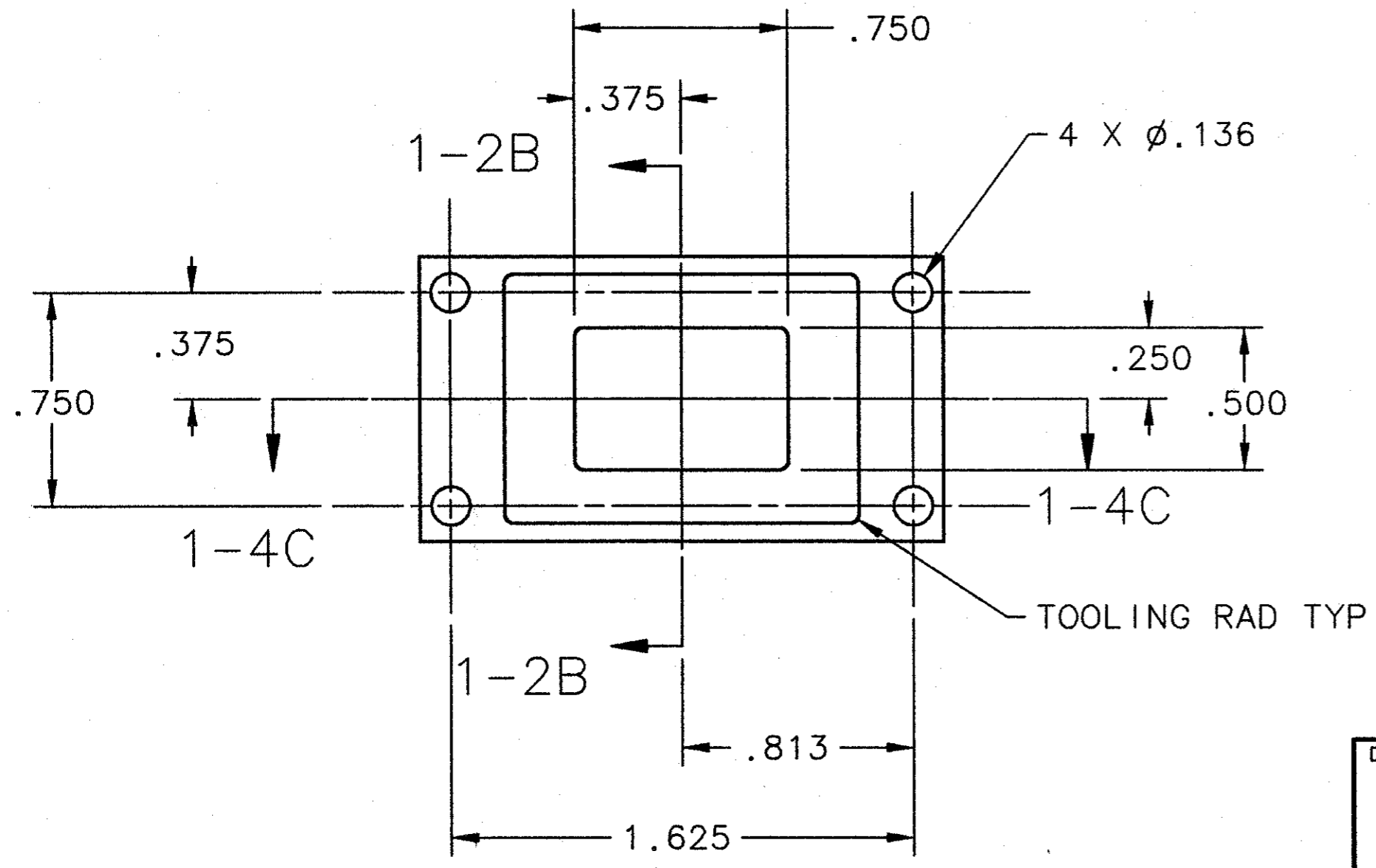
REVISION HISTORY				
ZONE	REV	DESCRIPTION	DATE	APPROVED
1-4C	A	REVISED DIMENSION: .283 WAS .263	29NOV07	MILLER
			30NOV07	<i>ARL</i>



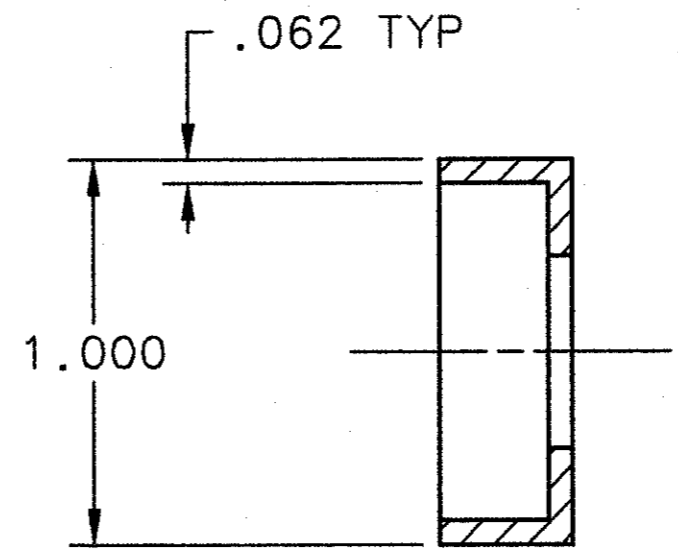
SECT VIEW 1-4C



ISO VIEW 1-1C



FRONT VIEW 1-4A



SECT VIEW 1-4C

- NOTES:
- APPROX. WEIGHT .05 LBS.
 - STAMP OR PAINT 'THIN LEAD PLUG' ON THIS FACE.

DOCUMENT CONTROL STAMP IQG	DIM & TOL PER ASME Y14.5 UNLESS OTHERWISE SPECIFIED DIMENSIONS ARE IN INCHES TOLERANCES ARE: FRACTIONS DECIMAL ANGLES ± N/A .X ±.1 ±.50° .XX ±.01 .XXX ±.005	TRACKING NO. N/A		United States Department of Energy Jefferson Lab Thomas Jefferson National Accelerator Facility Newport News Virginia
		APPROVALS	DATE	
MATERIAL C101 OR 102 COPPER	THIRD ANGLE PROJECTION	DRAWN J. MILLER	31OCT07	HALL A - PREX TARGET - CRYOTARGET LOOP LEAD TARGET LADDER INSERT PLUG THIN LEAD
FINISH MACHINED SURFACES DEBURR & BREAK ALL SHARP EDGES		CHECKED A. CAVALYA	27NOV07	
UNLESS OTHERWISE NOTED		APPROVED A. CAVALYA	27NOV07	
DO NOT SCALE DRAWING		APPROVED ROBERT MICHAELS	27NOV07	SCALE 2:1 USED ON ASSY NO. A06002-03-02-0100 SHEET 1 OF 1