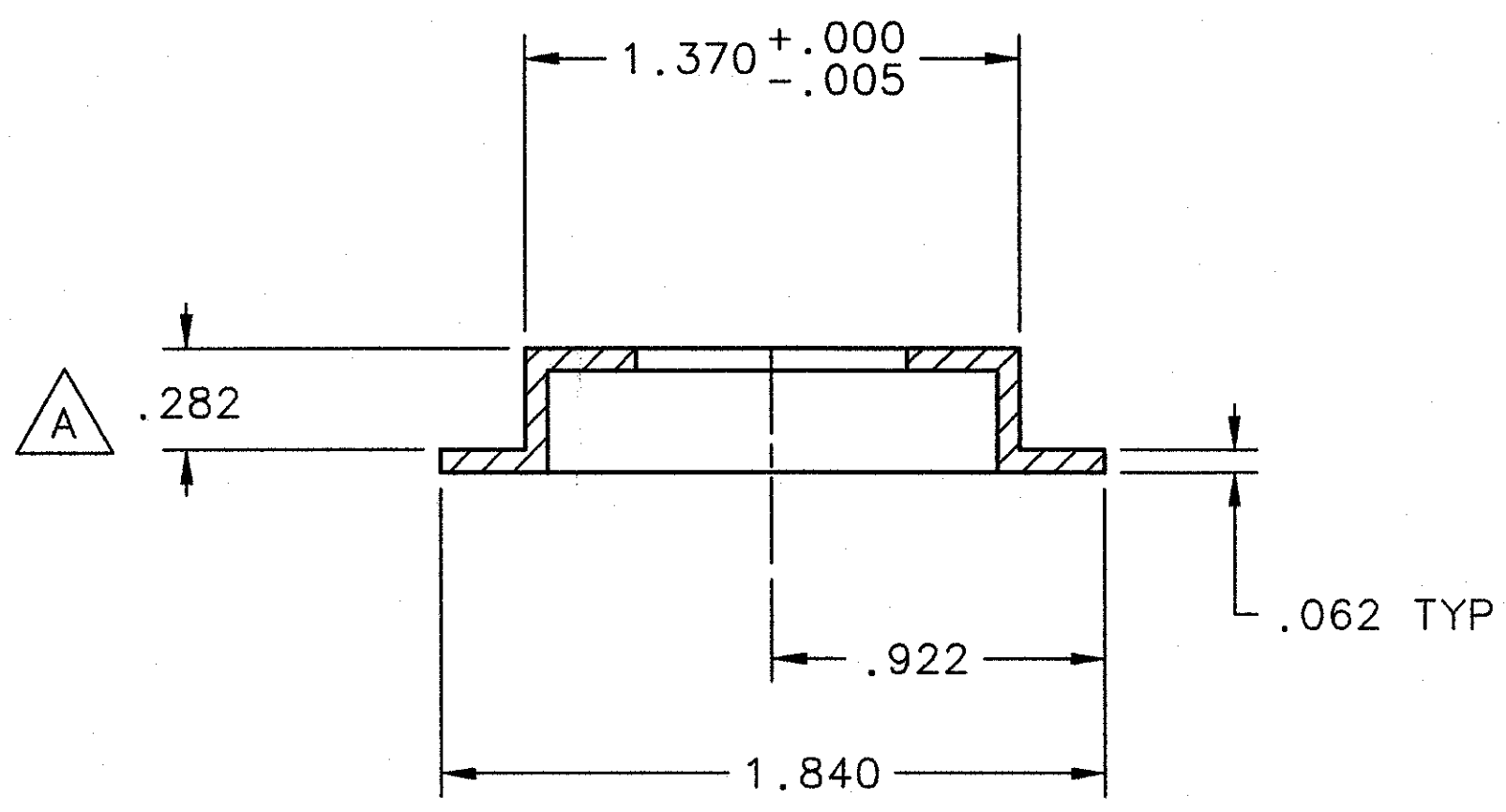
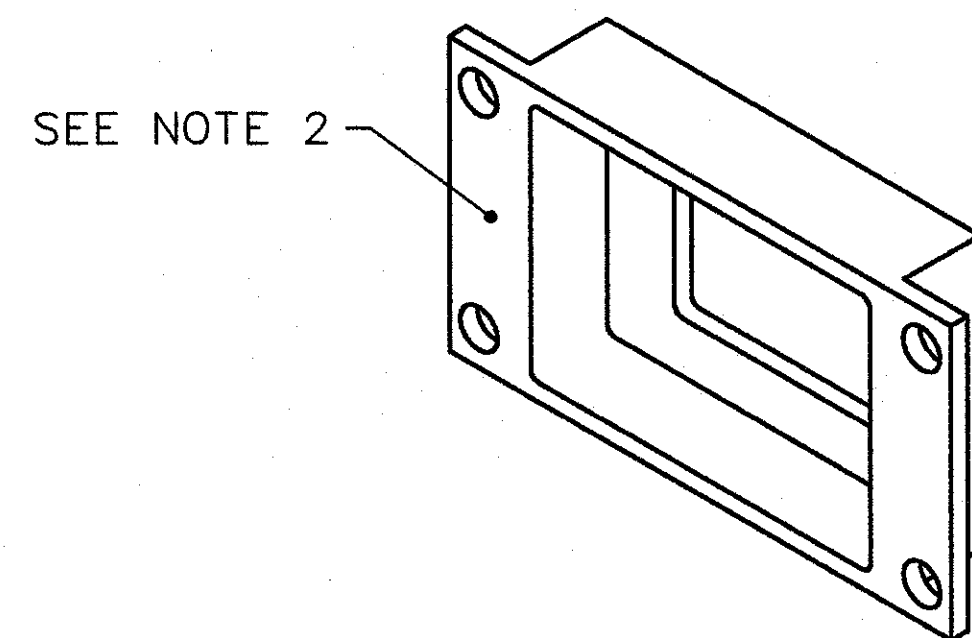


REVISION HISTORY				
ZONE	REV	DESCRIPTION	DATE	APPROVED
1-4C	A	REVISED DIMENSION: .282 WAS .262	29NOV07	MILLER
			30NOV07	ARG

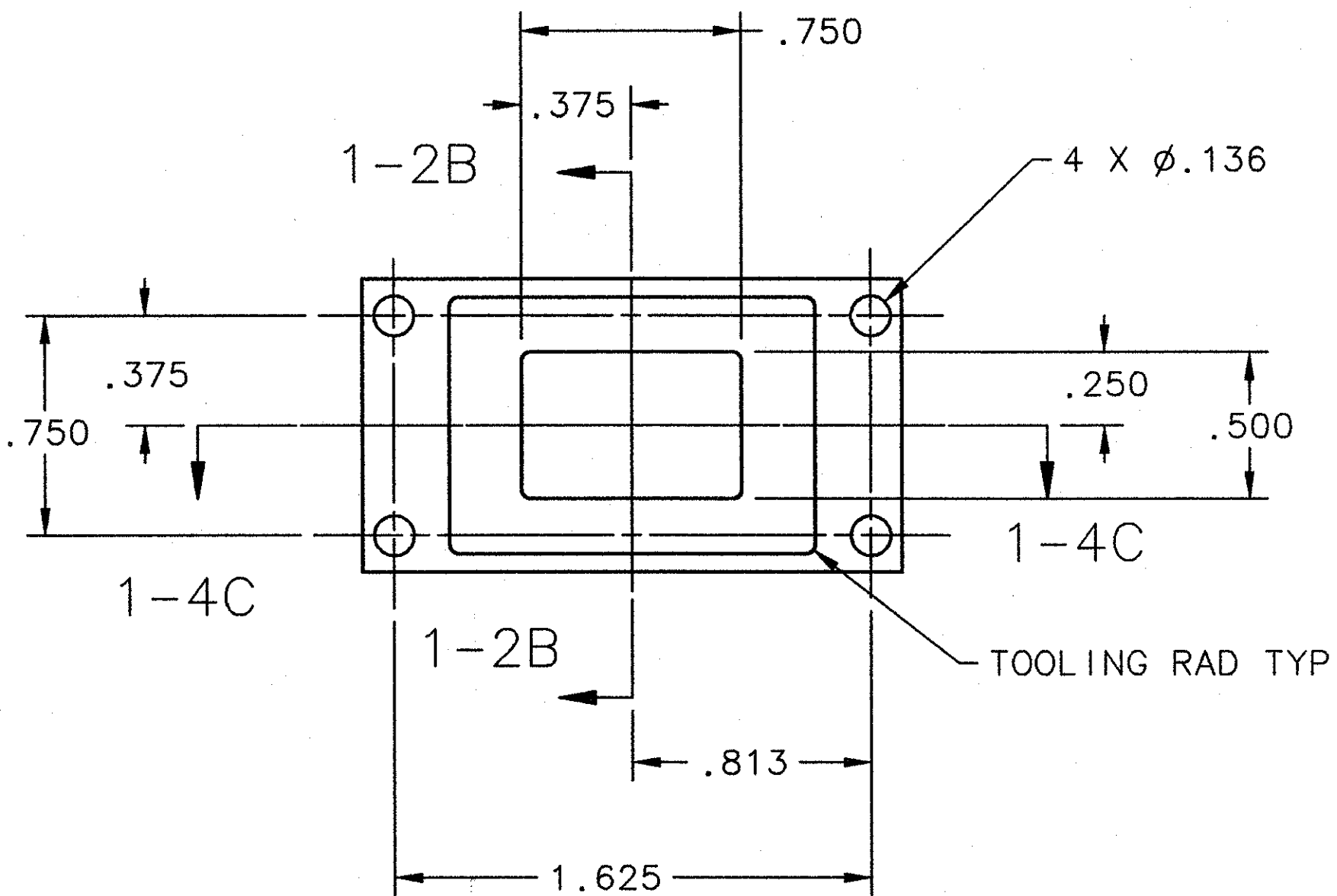


SECT VIEW 1-4C

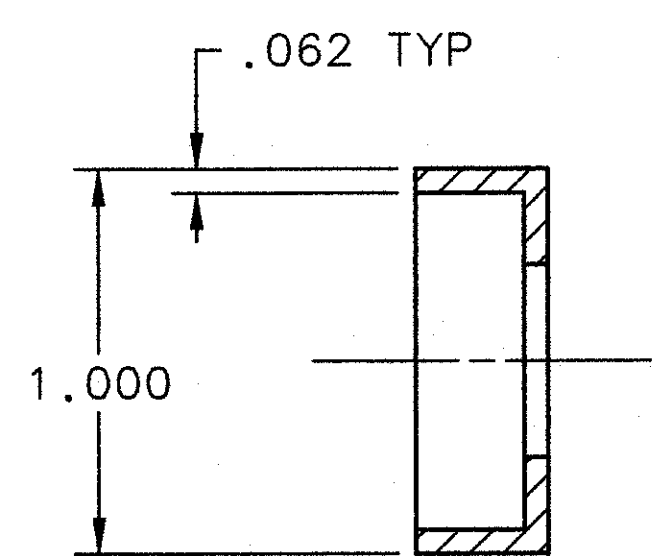


ISO VIEW 1-1C

- NOTES:
- APPROX. WEIGHT .05 LBS.
 - STAMP OR PAINT 'BISMUTH PLUG' ON THIS FACE.



FRONT VIEW 1-4A



SECT VIEW 1-2B

DOCUMENT CONTROL STAMP 	DIM & TOL PER ASME Y14.5 UNLESS OTHERWISE SPECIFIED DIMENSIONS ARE IN INCHES TOLERANCES ARE: FRACTIONS DECIMAL ANGLES ± N/A .X ± .1 ± .50° .XX ± .01 .XXX ± .005	TRACKING NO. N/A		United States Department of Energy Jefferson Lab Thomas Jefferson National Accelerator Facility Newport News Virginia
		APPROVALS	DATE	
MATERIAL C101 OR 102 COPPER	THIRD ANGLE PROJECTION 	DRAWN J. MILLER	31OCT07	HALL A - PREX TARGET - CRYOTARGET LOOP LEAD TARGET LADDER INSERT PLUG BISMUTH
FINISH MACHINED SURFACES DEBURR & BREAK ALL SHARP EDGES	UNLESS OTHERWISE NOTED	CHECKED A. CAVALYA	27NOV07	
DO NOT SCALE DRAWING		APPROVED A. CAVALYA	27NOV07	
		APPROVED ROBERT MICHAELS	27NOV07	SIZE DWG. NO. C A06002-03-02-0105 REV. A
				SCALE 2:1 USED ON ASSY NO. A06002-03-02-0100 SHEET 1 OF 1