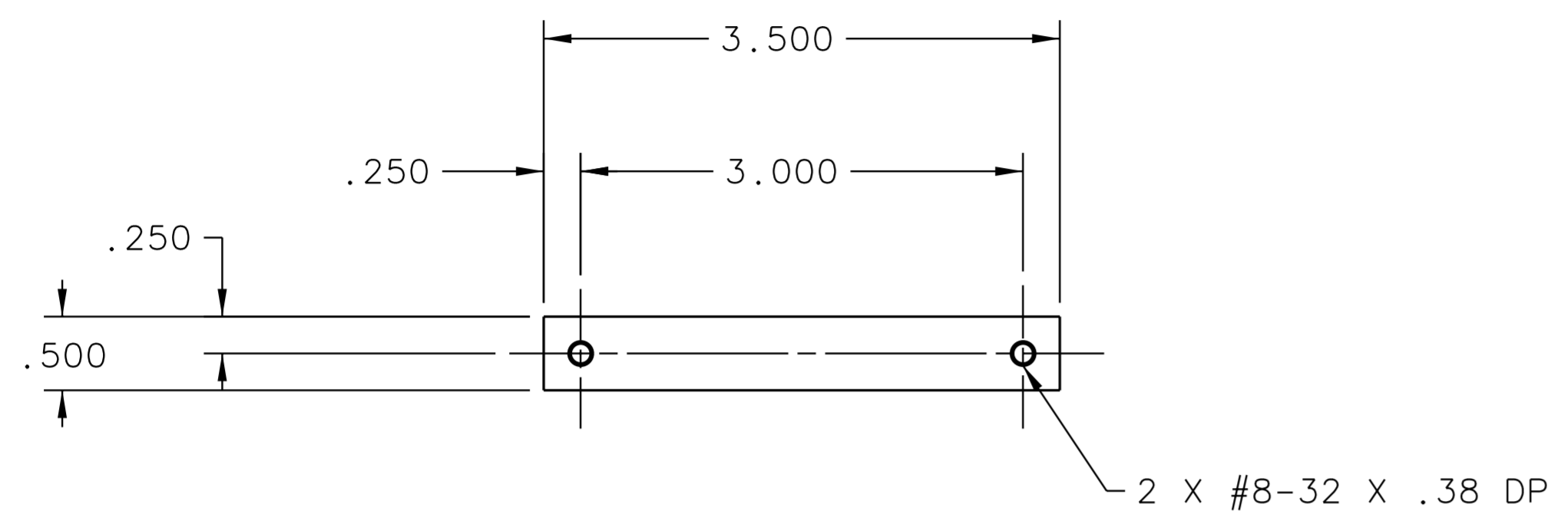
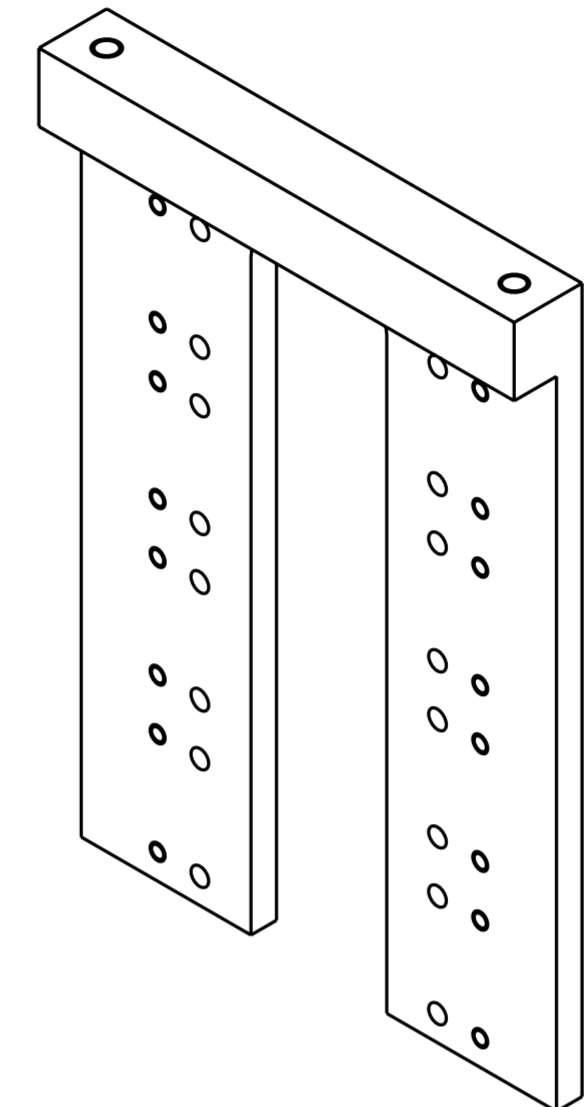


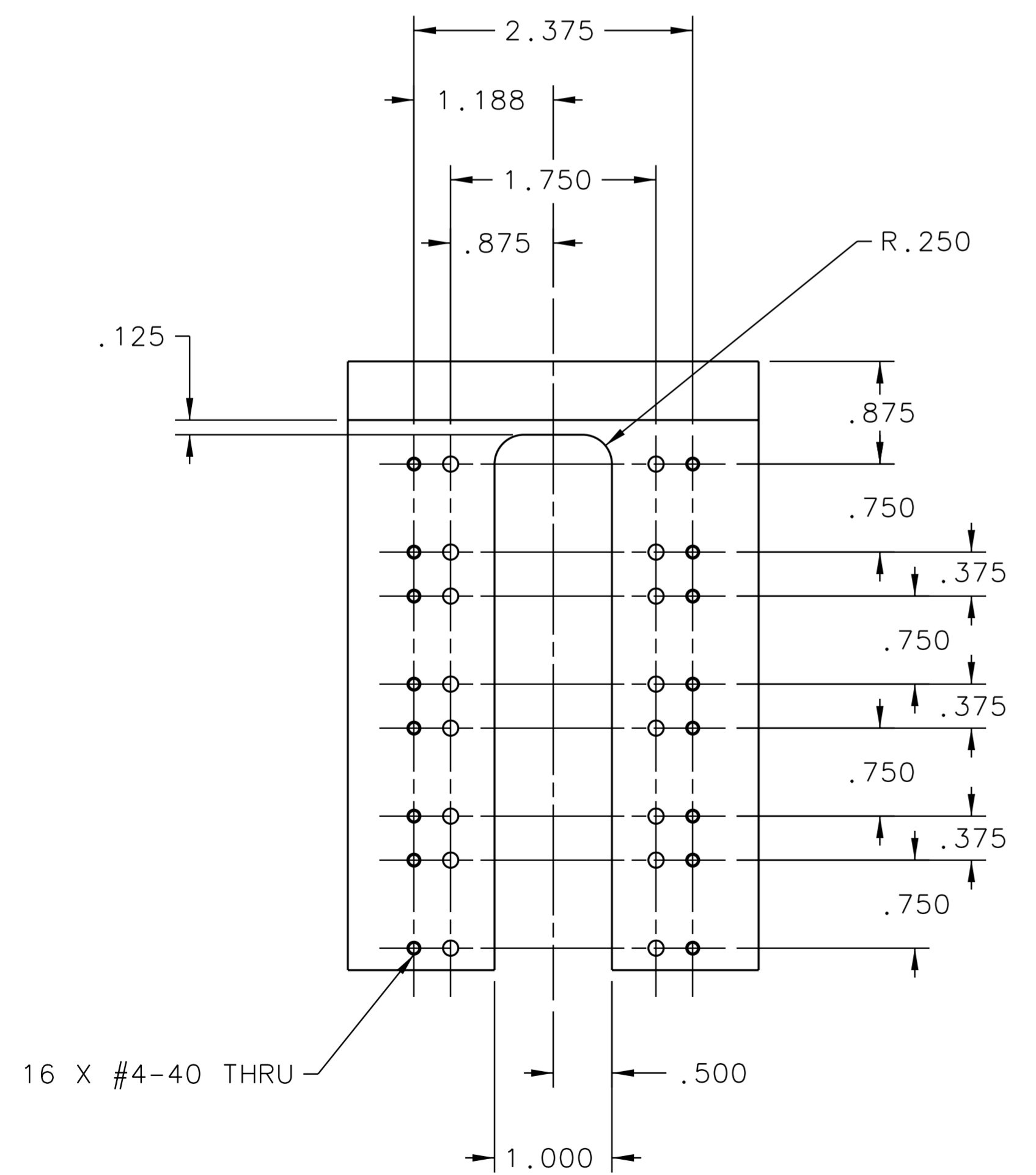
REVISION HISTORY				
ZONE	REV	DESCRIPTION	DATE	APPROVED



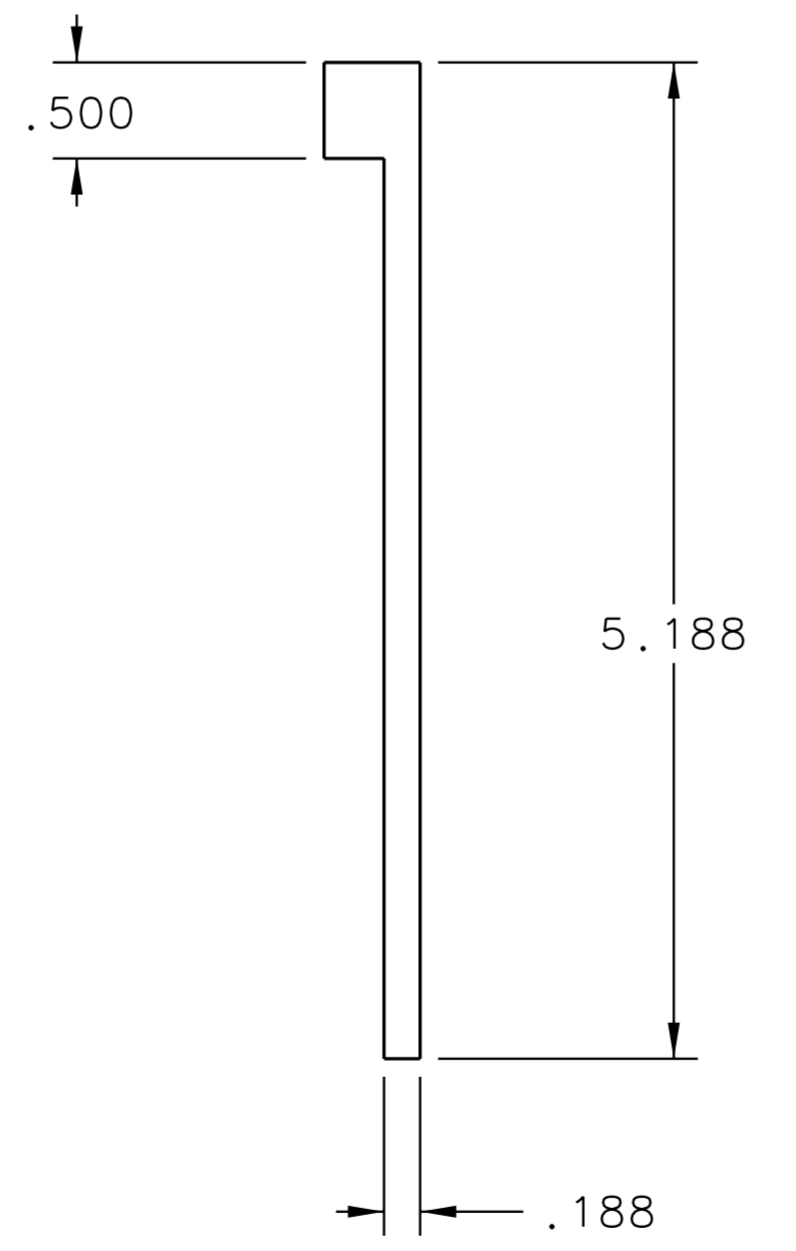
TOP VIEW 1-7D



ISO VIEW 1-2C



FRONT VIEW 1-7A



RT SIDE VIEW 1-5A

NOTES:
1. APPROX. WEIGHT .3 LBS.

DOCUMENT CONTROL STAMP	DIM & TOL PER ASME Y14.5 UNLESS OTHERWISE SPECIFIED DIMENSIONS ARE IN INCHES TOLERANCES ARE: FRACTIONS DECIMAL ANGLES ± N/A .X ± .1 .XX ± .01 .XXX ± .005	TRACKING NO. N/A		United States Department of Energy	Jefferson Lab Thomas Jefferson National Accelerator Facility	Newport News Virginia
		APPROVALS	DATE			
MATERIAL 6061-T6 ALUMINUM	THIRD ANGLE PROJECTION	DRAWN J. MILLER	05NOV07	HALL A - PREX TARGET - CRYOTARGET LOOP LEAD TARGET LADDER SOLID TARGET HOLDER 04		
FINISH MACHINED SURFACES DEBURR & BREAK ALL SHARP EDGES	UNLESS OTHERWISE NOTED	CHECKED	APPROVED			
DO NOT SCALE DRAWING		APPROVED		SCALE 1:1	USED ON ASSY NO. A06002-03-02-0100	SHEET 1 OF 1